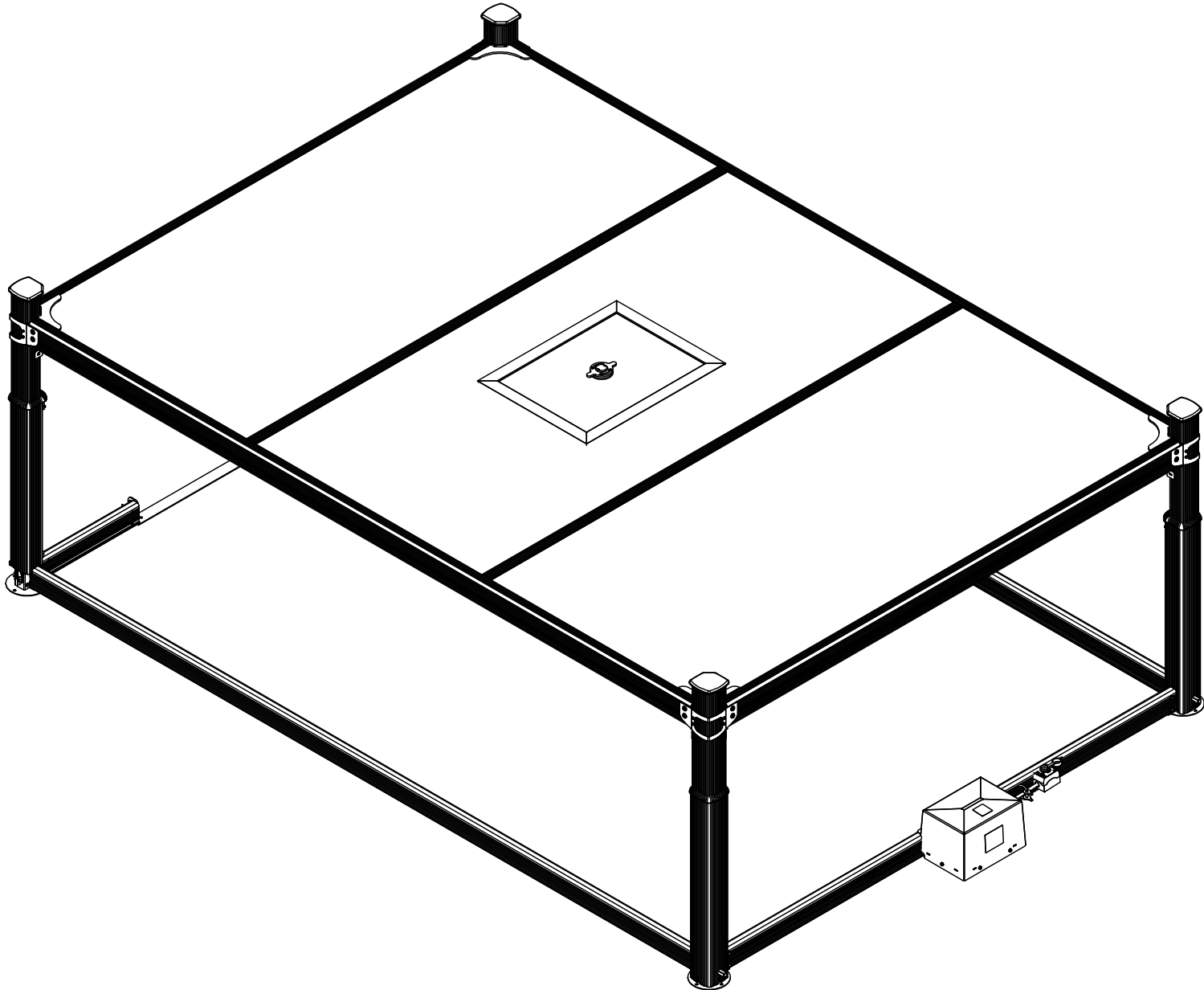
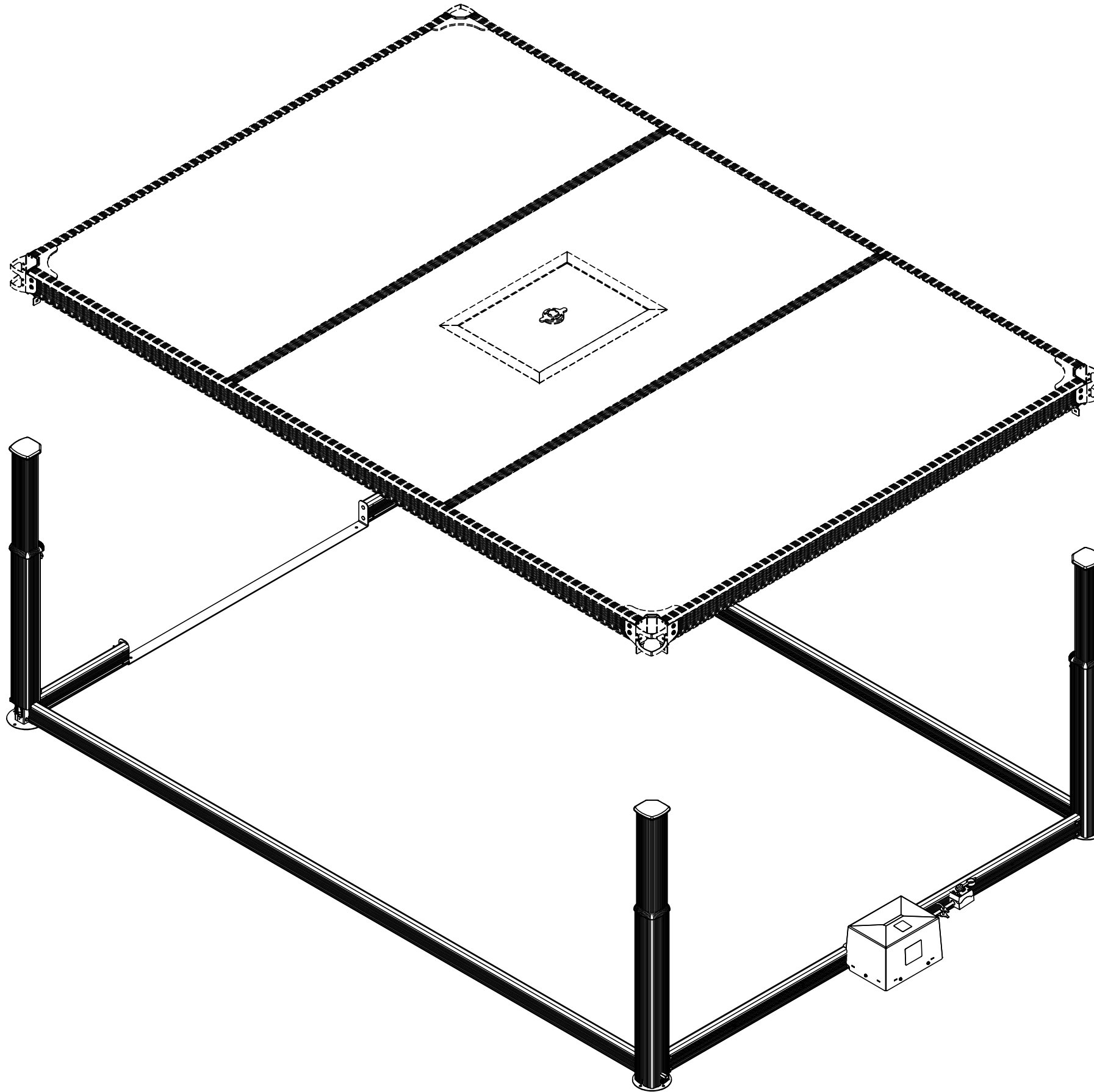


EVOLUTION PARTS CATALOG 2014-2021

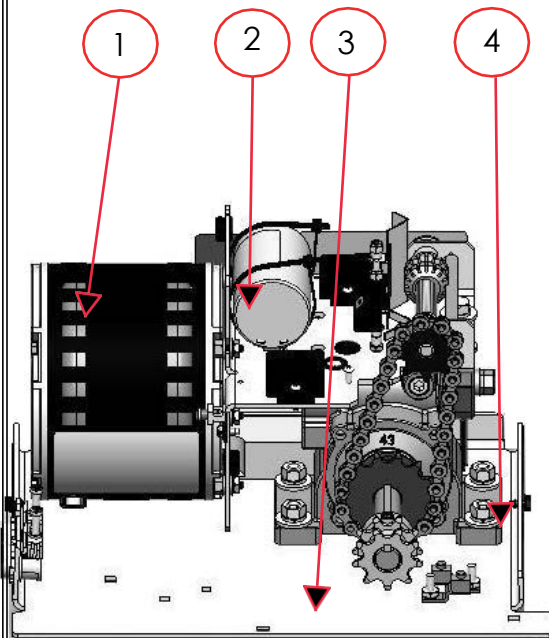


	SECTION	PAGE
	SERIAL NUMBER LOCATION	2
1	LOWER FRAME ASSEMBLY	3
1.1	MOTOR SIDE ASSEMBLY	6
1.1.1	OPERATOR ASSEMBLY	10
1.1.2	POST ASSEMBLY	19
1.1.2.1	JACK ASSEMBLY	24
2	COVER ASSEMBLY	30
2.1	FRAME ASSEMBLY	31
2.2	PANEL ASSEMBLY	34
3	ROLLER SHADES ASSEMBLY	35
3	SPECIAL PACKS	39

SERIAL NUMBER LOCATION



The serial number can also be found on:
 #1 The end part of the capacitor
 #2 the motor casing
 #3 the motor footplate
 #4 the bottom of transaxle



COVANA
 a Division of CANIMEX Group

TOLL FREE #
 877-278-8010
 PATENTED

MODEL **GHSC** SER.# **YYMMSSSS**


WATT **375** VOLTS **230** PH **1** AMPS **2.6**

CONTROL
 CIRCUIT
 (VOLTS) **230** **50** Hertz N.m/
 sec **68**

MFG. DATE **YYYY-MMM-DD** Fabrigat au Canada
 Made in Canada

www.covana.com
www.canimex.com

DATE OF INSTALLATION: _____

CE 

COVANA Serial Number on
 MOTOR COVER (EUROPE)

COVANA
 a Division of CANIMEX Group


TOLL FREE #
 877-278-8010
 PATENTED

MODEL **GHSC** SER.# **YYMMSSSS**

HP **1/2** VOLTS **115** PH **1** AMPS **6**

CONTROL
 CIRCUIT
 (VOLTS) **115** **60** Hertz FT.LB/
 SEC **50**

MFG. DATE **YYYY-MMM-DD** Fabrigat au Canada
 Made in Canada

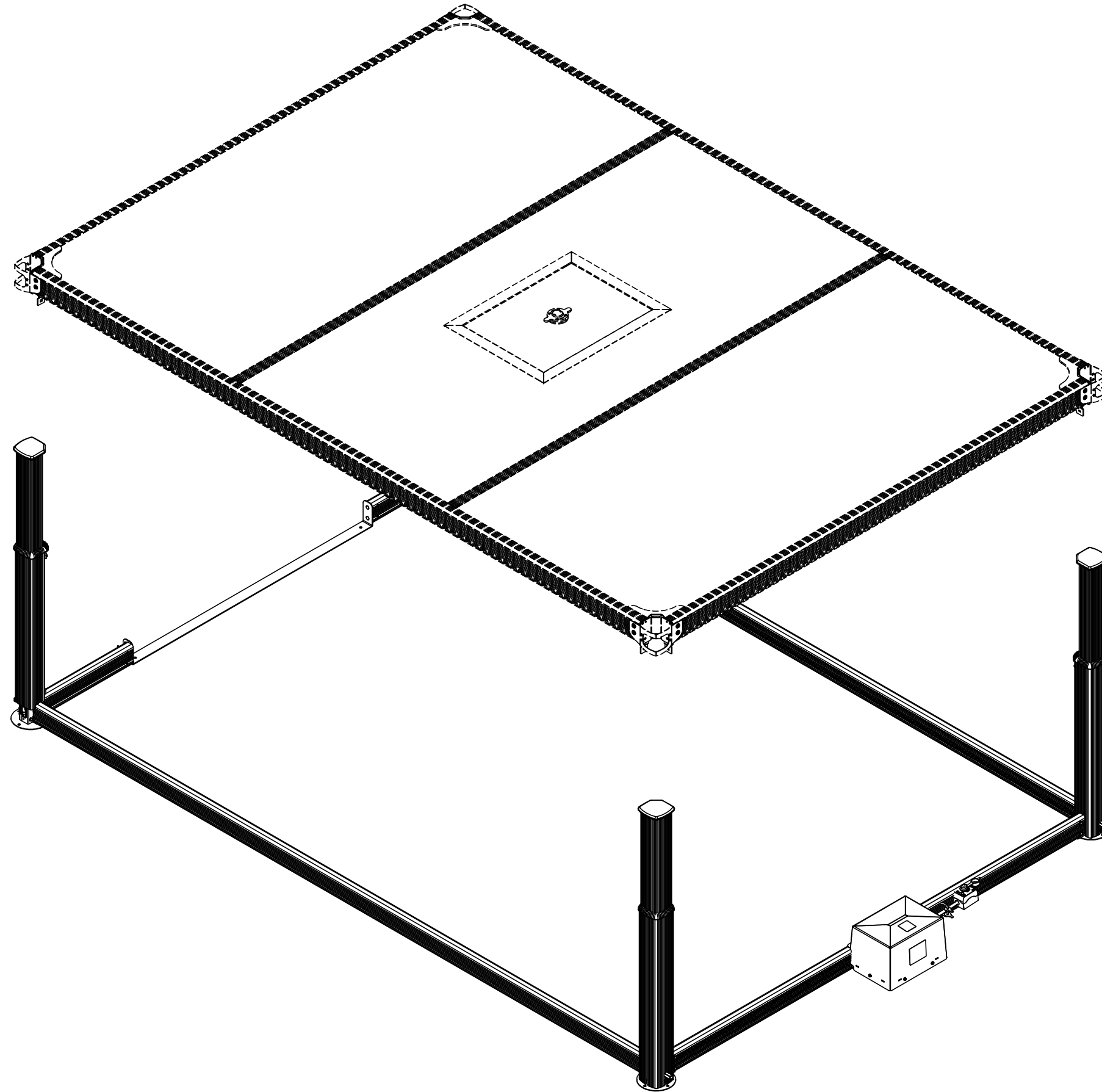
IN COMPLIANCE
 WITH UL 785
 **UL** **US**
 LISTED

www.covana.com
www.canimex.com

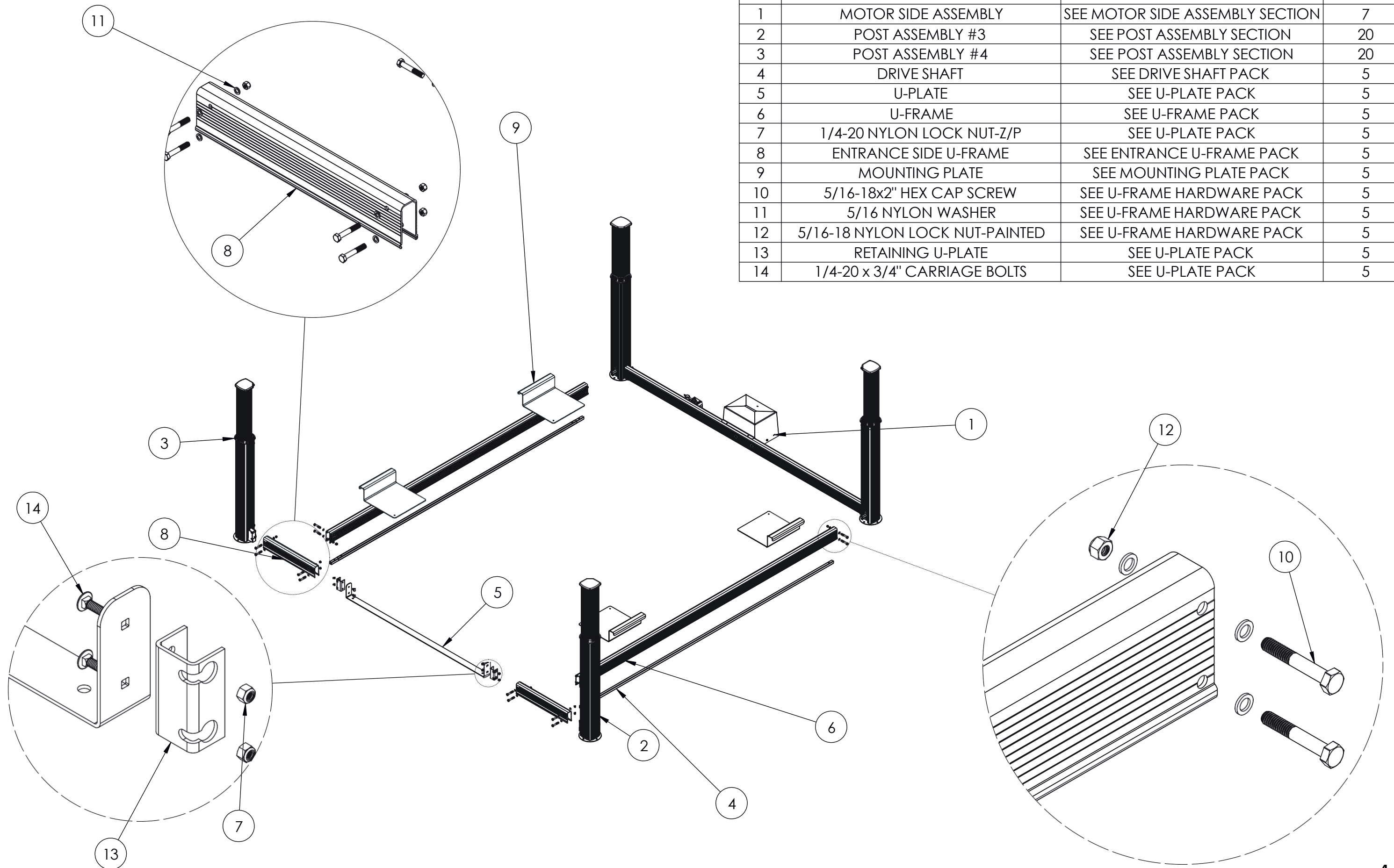
DATE OF INSTALLATION: _____

COVANA Serial Number on
 MOTOR COVER (NORTH AMERICA)

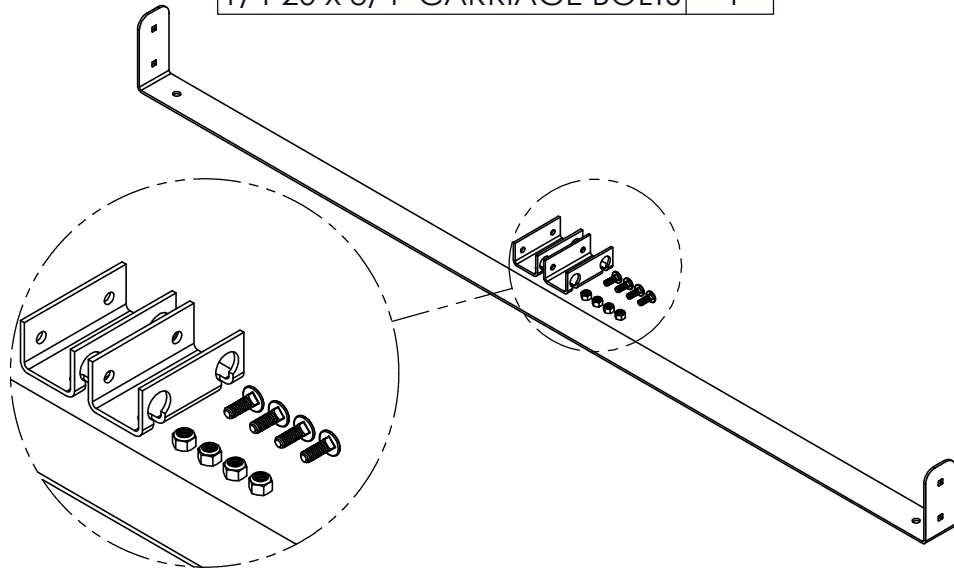
SECTION 1 - LOWER ASSEMBLY



ITEM #	DESCRIPTION	PART NUMBER	CATALOG PAGE
1	MOTOR SIDE ASSEMBLY	SEE MOTOR SIDE ASSEMBLY SECTION	7
2	POST ASSEMBLY #3	SEE POST ASSEMBLY SECTION	20
3	POST ASSEMBLY #4	SEE POST ASSEMBLY SECTION	20
4	DRIVE SHAFT	SEE DRIVE SHAFT PACK	5
5	U-PLATE	SEE U-PLATE PACK	5
6	U-FRAME	SEE U-FRAME PACK	5
7	1/4-20 NYLON LOCK NUT-Z/P	SEE U-PLATE PACK	5
8	ENTRANCE SIDE U-FRAME	SEE ENTRANCE U-FRAME PACK	5
9	MOUNTING PLATE	SEE MOUNTING PLATE PACK	5
10	5/16-18x2" HEX CAP SCREW	SEE U-FRAME HARDWARE PACK	5
11	5/16 NYLON WASHER	SEE U-FRAME HARDWARE PACK	5
12	5/16-18 NYLON LOCK NUT-PAINTED	SEE U-FRAME HARDWARE PACK	5
13	RETAINING U-PLATE	SEE U-PLATE PACK	5
14	1/4-20 x 3/4" CARRIAGE BOLTS	SEE U-PLATE PACK	5

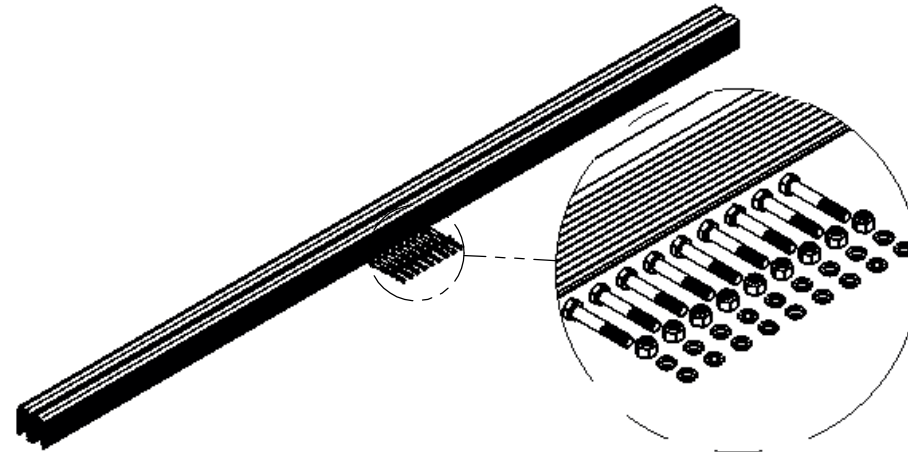


U-PLATE PACK	
DESCRIPTION	QTY.
U-PLATE	1
RETAINING U-PLATE	2
1/4-20 HEX NYLON LOCK NUT	4
1/4-20 x 3/4" CARRIAGE BOLTS	4



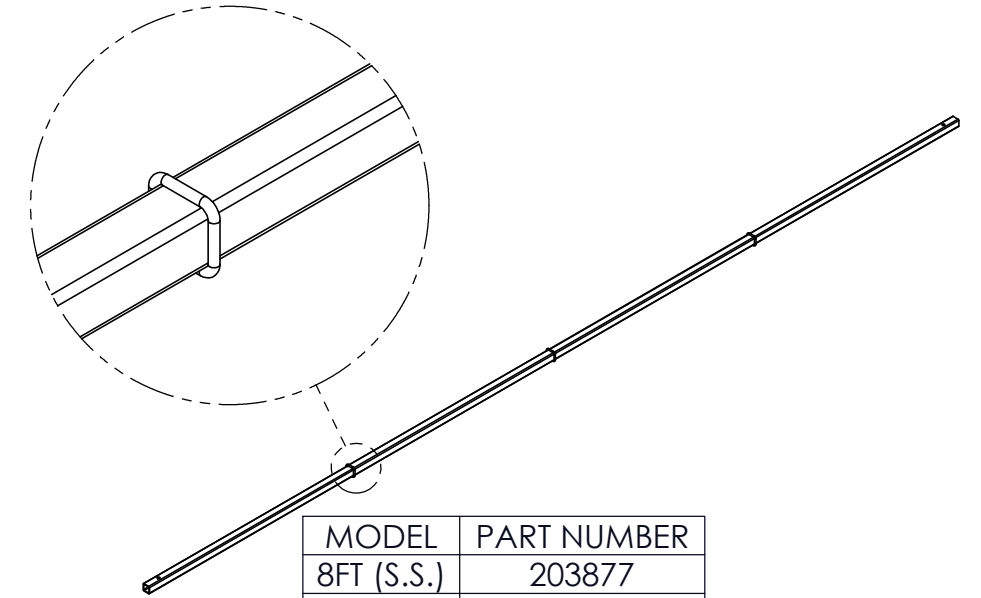
PART NUMBER			
SHORT SIDE (8FT TO 11FT)		LONG SIDE (8FT OPTION)	
MOCHA	SLATE	MOCHA	SLATE
201333	201371	202867	202868

U-FRAME PACK	
DESCRIPTION	QTY.
U-FRAME	2
5/16-18x2" HEX CAP SCREW PAINTED	9
5/16 NYLON WASHER	18
5/16-18 HEX NYLON LOCKNUT PAINTED	9



PART NUMBER		
MODEL	MOCHA	SLATE
8FT	226511	226512
8FT (L.S.)	226513	226514
9FT	230231	230232
10 FT	230233	230234
11 FT	230235	230236

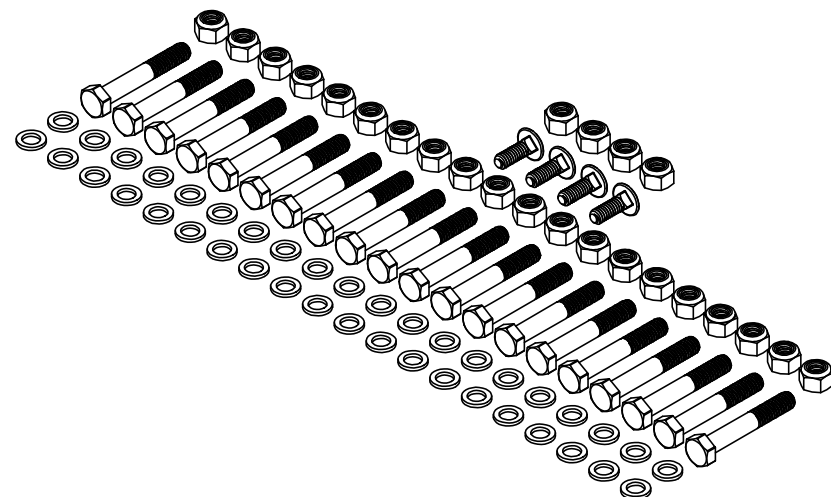
DRIVE SHAFT PACK	
DESCRIPTION	QTY.
O-RING	3
COV-GEN-TUBE-DRIVE SHAFT	1



MODEL	PART NUMBER
8FT (S.S.)	203877
8FT (L.S.)	203888
9FT	213654
10 FT	213655
11 FT	213656

U-FRAME HARDWARE PACK

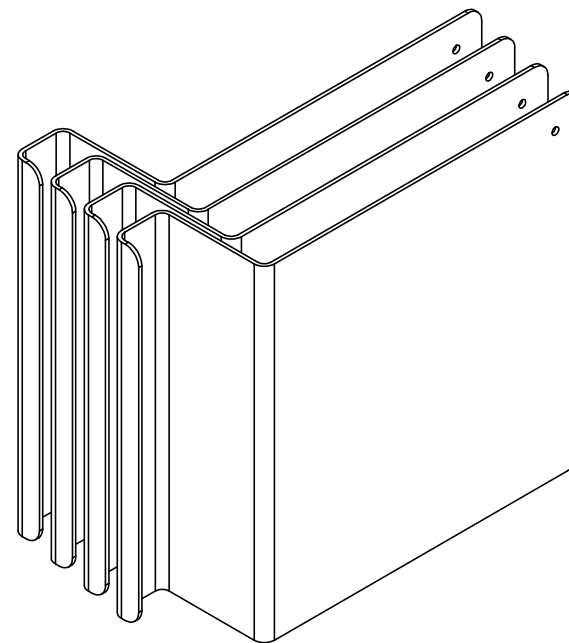
DESCRIPTION	QTY.
5/16-18x2" HEX CAP SCREW PAINTED	20
5/16 NYLON WASHER	40
5/16-18 HEX NYLON LOCKNUT PAINTED	20
1/4-20 x 3/4" CARRIAGE BOLTS	4
5/16-18 HEX NYLON LOCK NUT	4



PART NUMBER	
MOCHA	SLATE
226515	226516

MOUNTING PLATE PACK

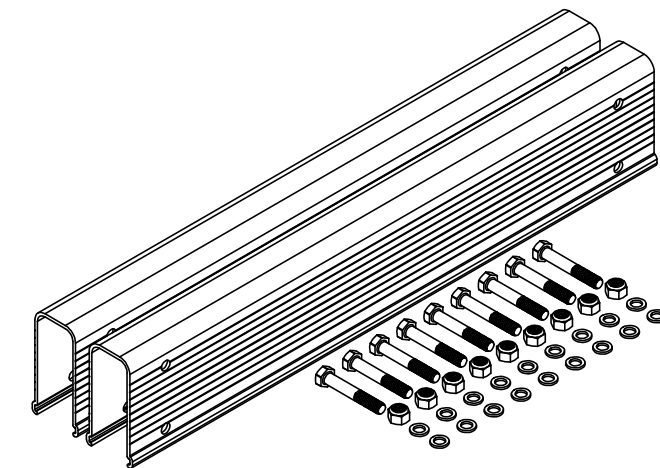
DESCRIPTION	QTY.
MOUNTING PLATE	4



PART NUMBER	
MOCHA	SLATE
222018	222019

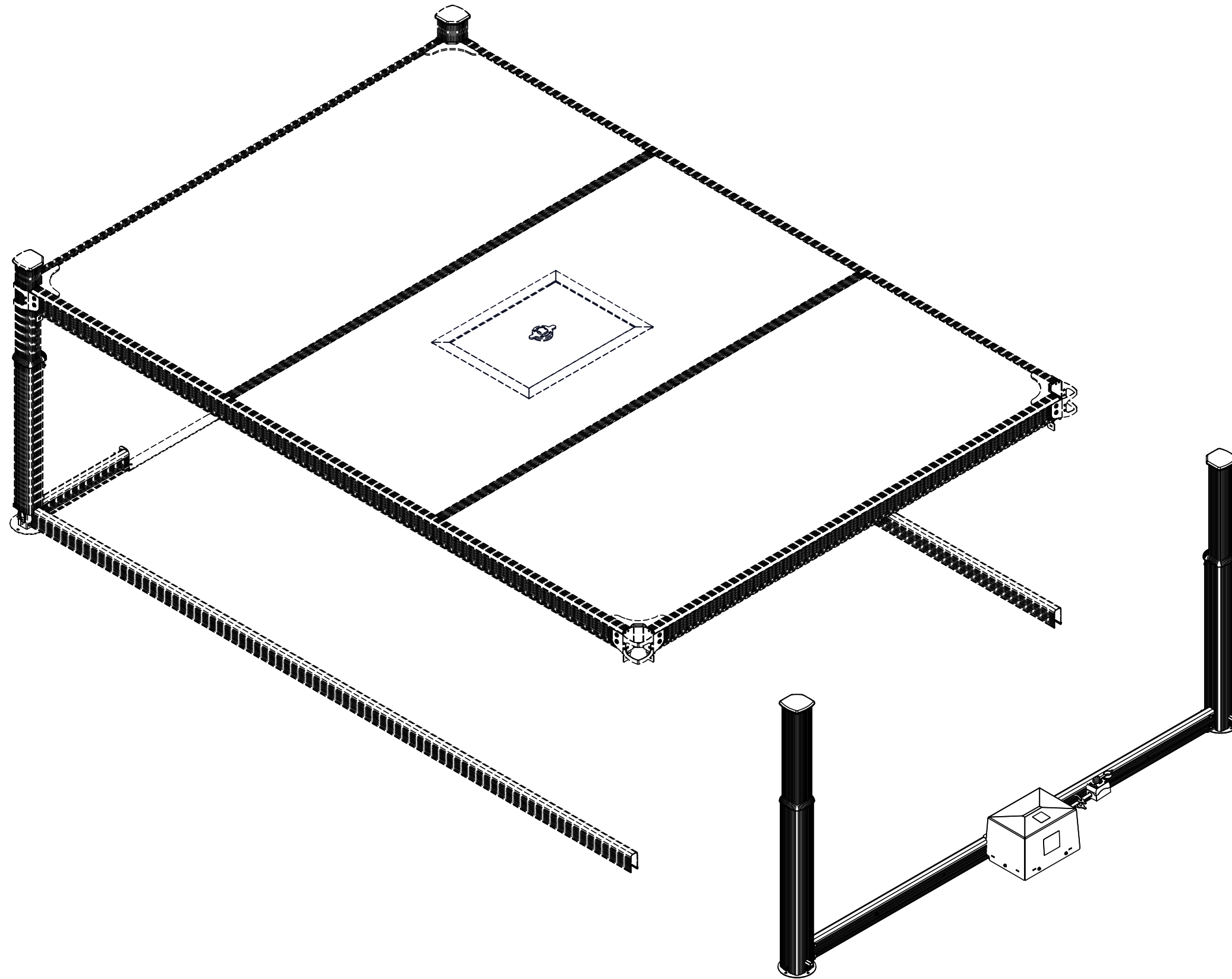
ENTRANCE U-FRAME PACK

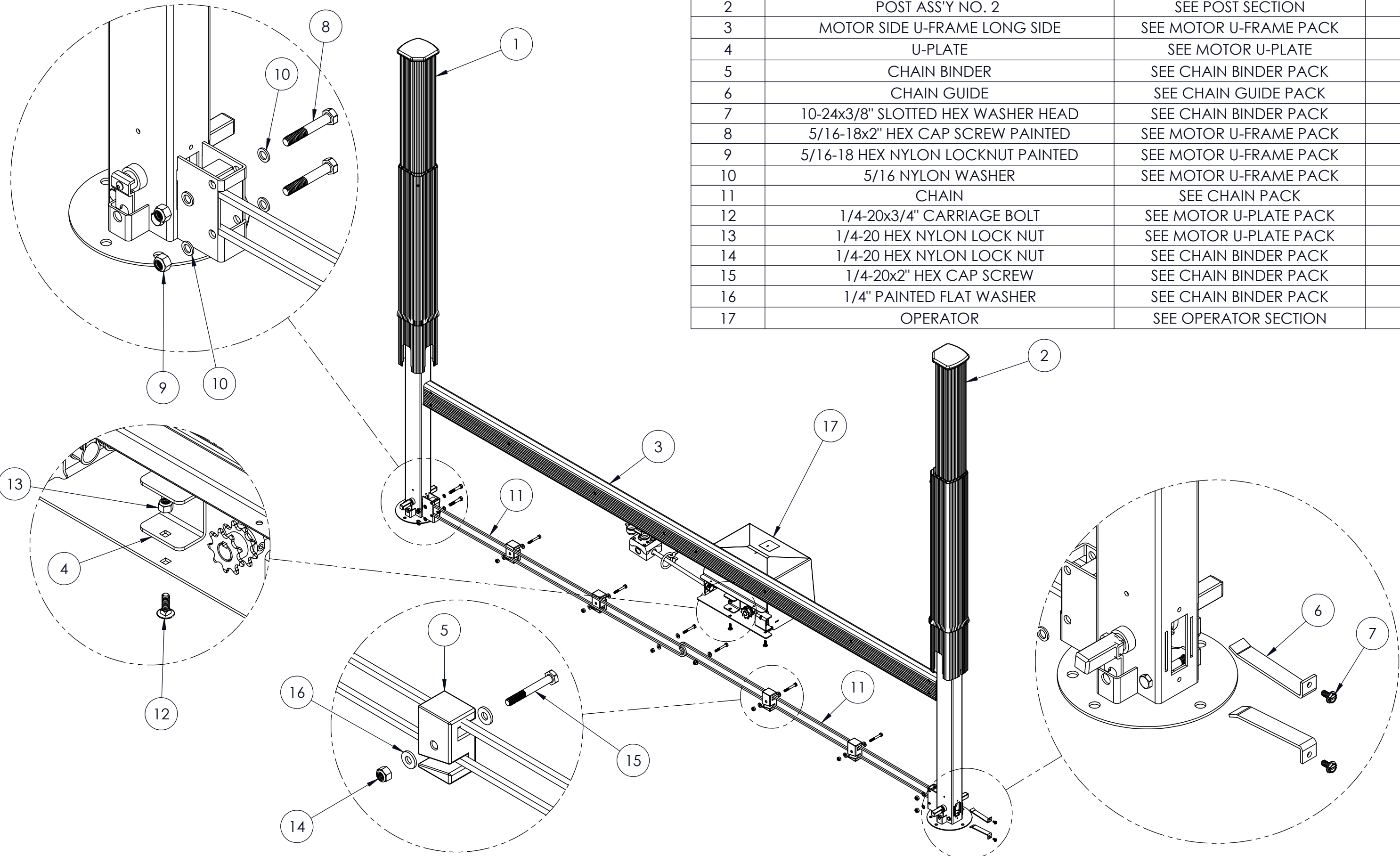
DESCRIPTION	QTY.
ENTRANCE SIDE U-FRAME	2
5/16-18x2" HEX CAP SCREW PAINTED	9
5/16 NYLON WASHER	18
5/16-18 HEX NYLON LOCKNUT PAINTED	9



PART NUMBER	
MOCHA	SLATE
226518	226519

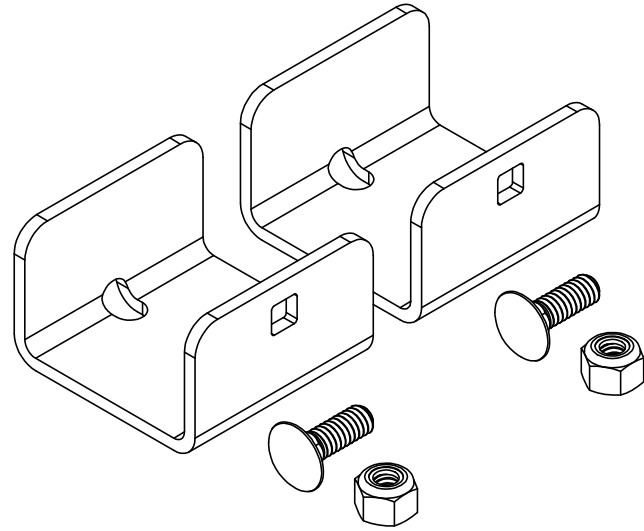
SECTION 1.1 - MOTOR SIDE ASSEMBLY





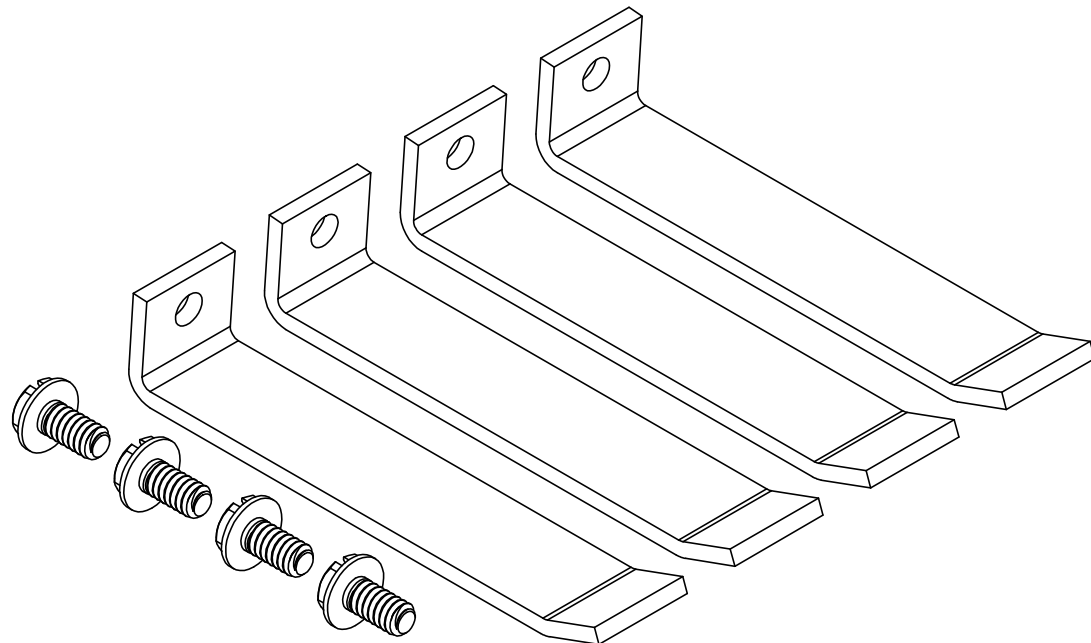
No. ARTICLE	DESCRIPTION	ARTICLE CODE	CATALOG PAGE
1	POST ASS'Y NO.1	SEE POST SECTION	20
2	POST ASS'Y NO. 2	SEE POST SECTION	20
3	MOTOR SIDE U-FRAME LONG SIDE	SEE MOTOR U-FRAME PACK	9
4	U-PLATE	SEE MOTOR U-PLATE	8
5	CHAIN BINDER	SEE CHAIN BINDER PACK	8
6	CHAIN GUIDE	SEE CHAIN GUIDE PACK	8
7	10-24x3/8" SLOTTED HEX WASHER HEAD	SEE CHAIN BINDER PACK	8
8	5/16-18x2" HEX CAP SCREW PAINTED	SEE MOTOR U-FRAME PACK	9
9	5/16-18 HEX NYLON LOCKNUT PAINTED	SEE MOTOR U-FRAME PACK	9
10	5/16 NYLON WASHER	SEE MOTOR U-FRAME PACK	9
11	CHAIN	SEE CHAIN PACK	9
12	1/4-20x3/4" CARRIAGE BOLT	SEE MOTOR U-PLATE PACK	8
13	1/4-20 HEX NYLON LOCK NUT	SEE MOTOR U-PLATE PACK	8
14	1/4-20 HEX NYLON LOCK NUT	SEE CHAIN BINDER PACK	8
15	1/4-20x2" HEX CAP SCREW	SEE CHAIN BINDER PACK	8
16	1/4" PAINTED FLAT WASHER	SEE CHAIN BINDER PACK	8
17	OPERATOR	SEE OPERATOR SECTION	10

MOTOR U-PLATE PACK	
DESCRIPTION	QTY.
U-PLATE	2
1/4-20x3/4" CARRIAGE BOLT	2
1/4-20 HEX NYLON LOCK NUT	2



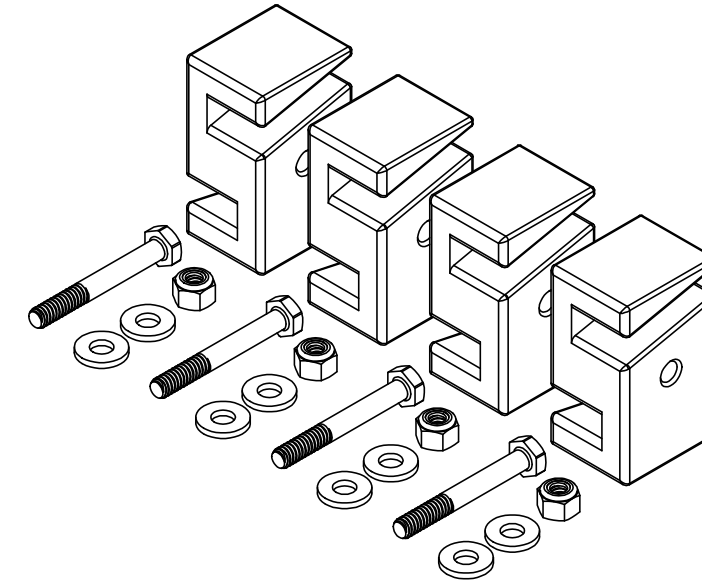
PART NUMBER
226520

CHAIN GUIDE PACK	
DESCRIPTION	QTY.
CHAIN GUIDE	4
10-24x3/8" SLOTTED HEX WASHER HEAD	4



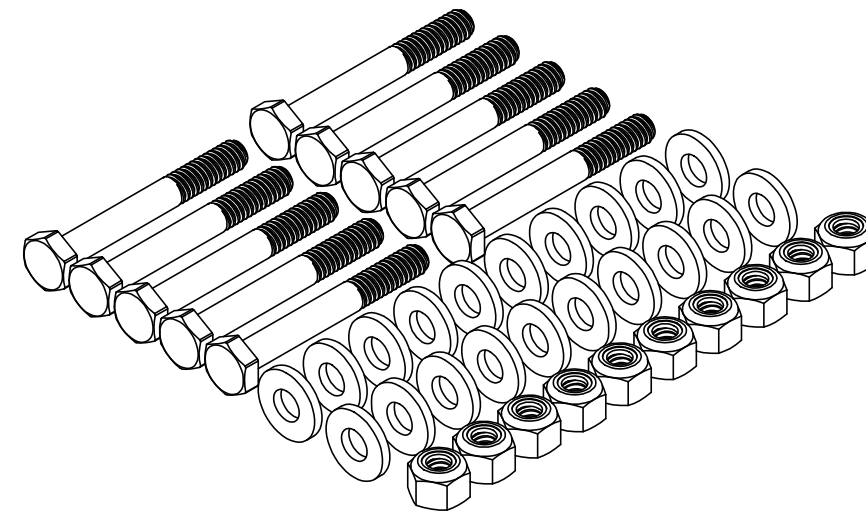
PART NUMBER
226523

CHAIN BINDER PACK	
DESCRIPTION	QTY.
CHAIN BINDER	4
1/4-20x2" HEX CAP SCREW	4
1/4" PAINTED FLAT WASHER	8
1/4-20 HEX NYLON LOCK NUT	4



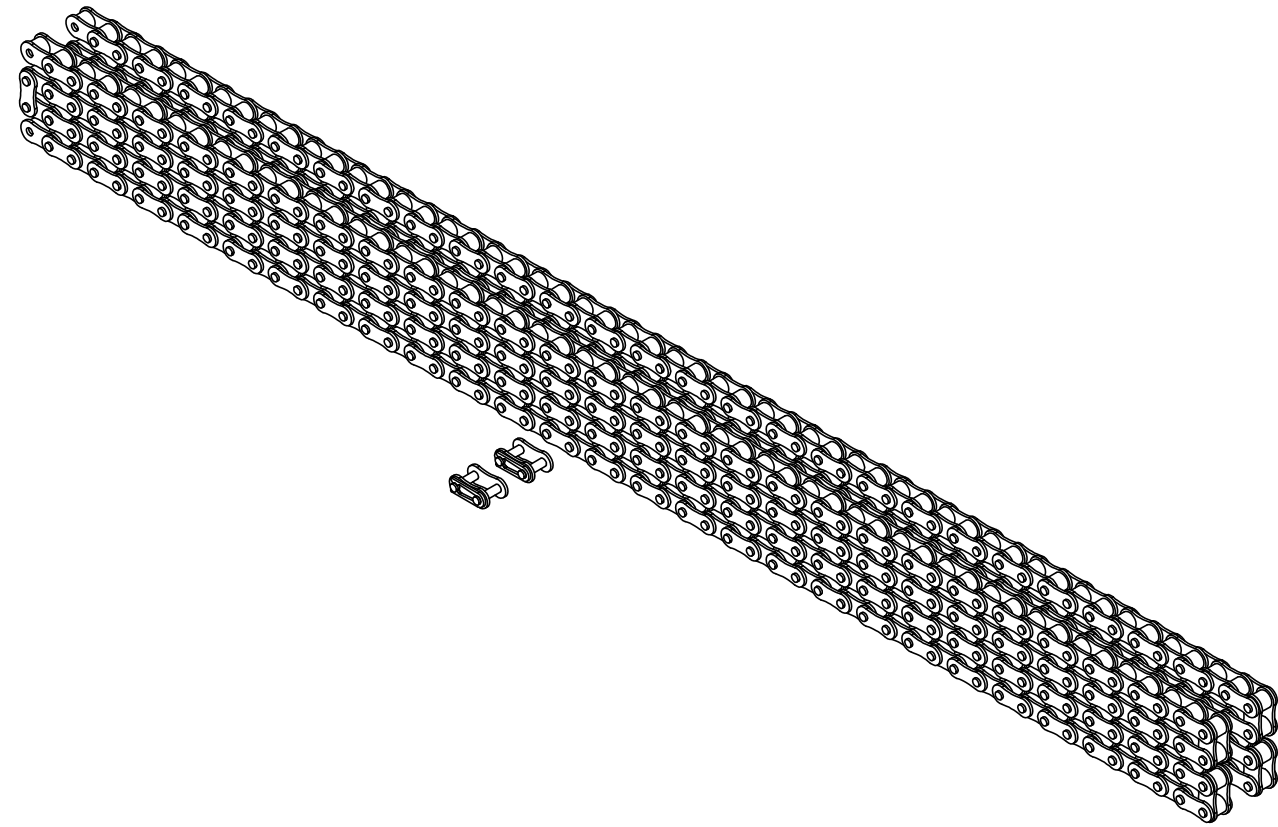
PART NUMBER	
MOCHA	SLATE
226521	226522

CHAIN BINDER HARDWARE PACK	
DESCRIPTION	QTY.
1/4-20x2" HEX CAP SCREW	10
1/4" PAINTED FLAT WASHER	20
1/4-20 HEX NYLON LOCK NUT	10



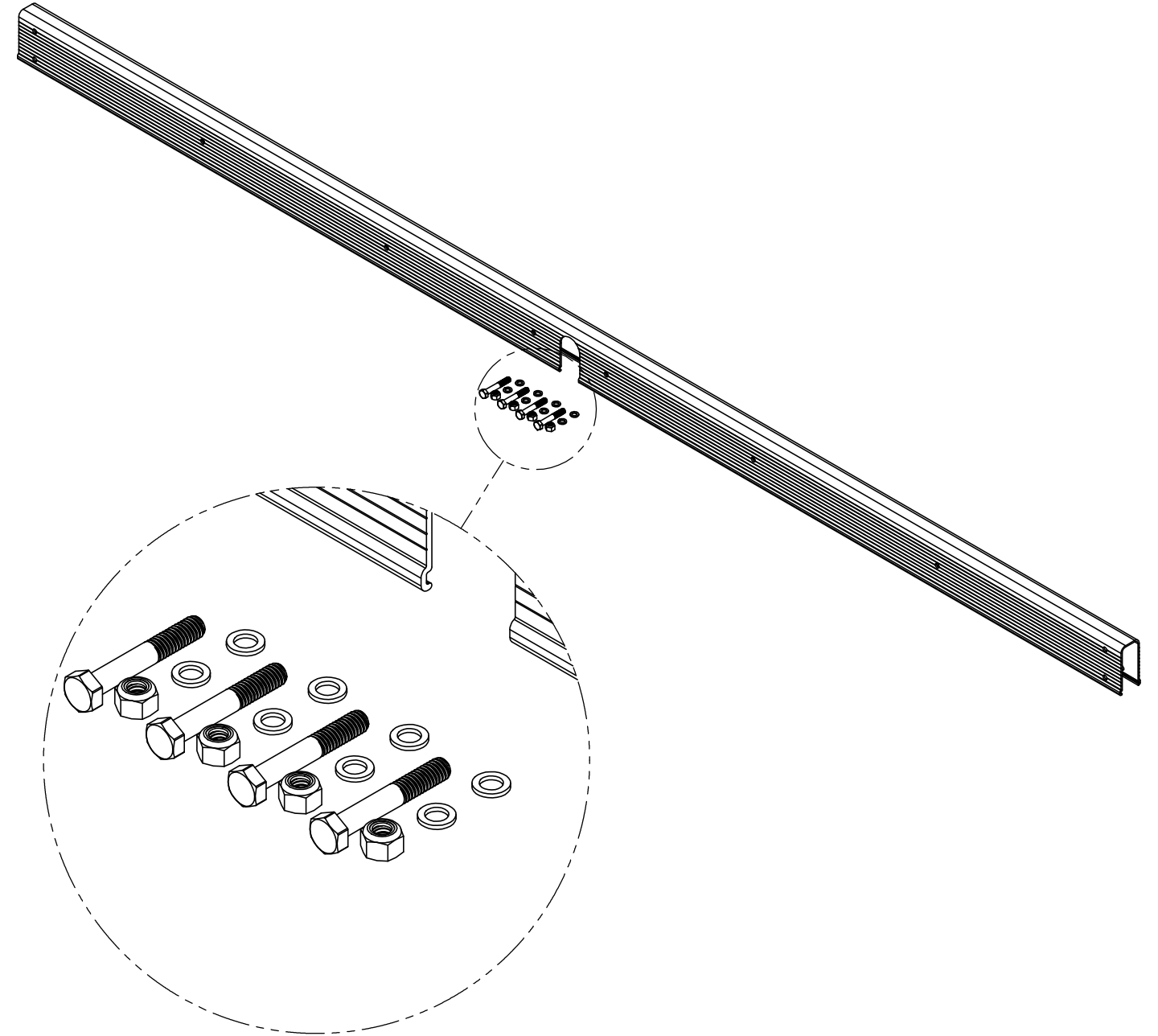
PART NUMBER	
MOCHA	SLATE
226524	226525

CHAIN PACK	
DESCRIPTION	QTY.
CONNECTING LINK	2
CHAIN	2



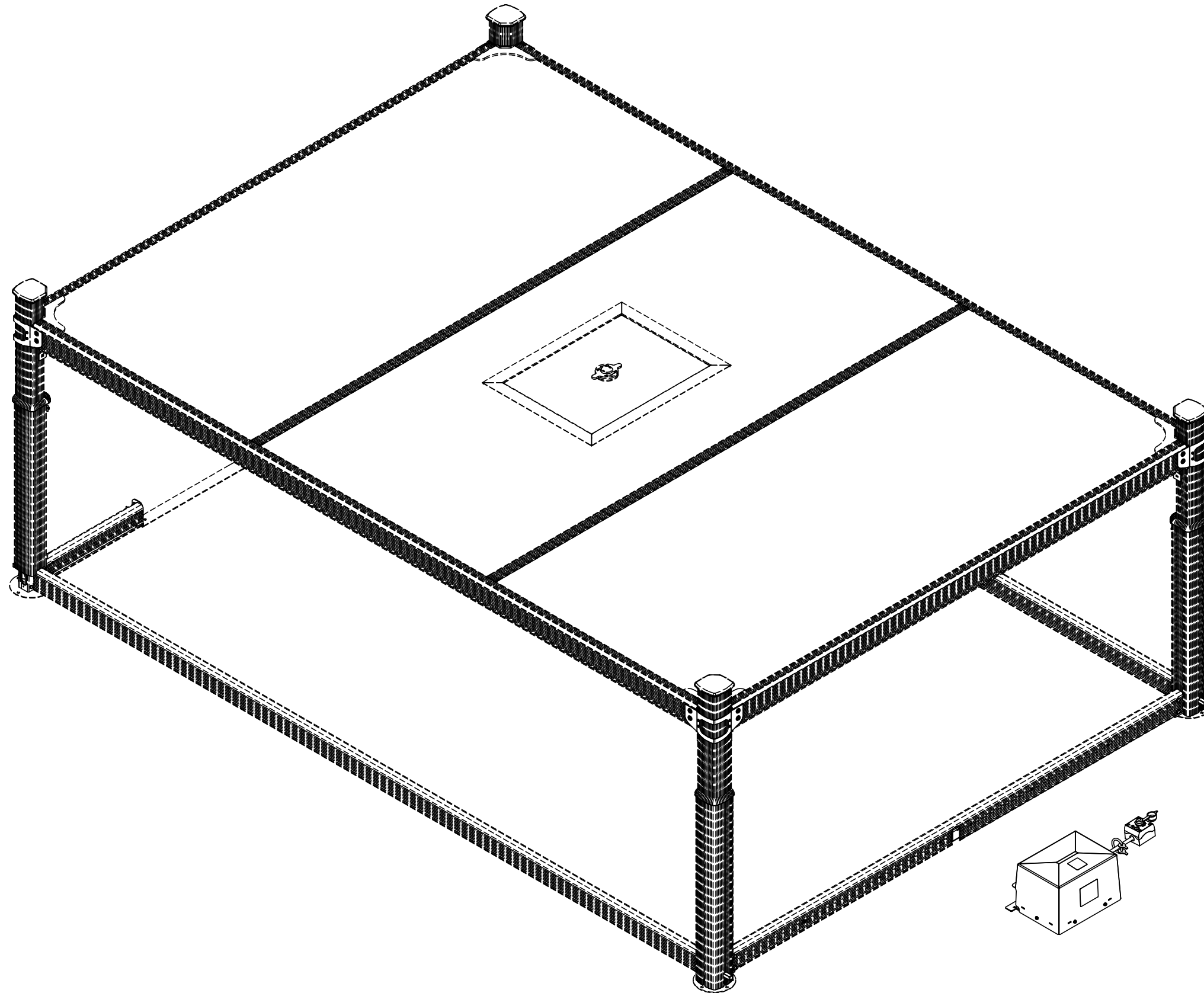
PART NUMBER	
SHORT SIDE (8FT TO 11FT)	LONG SIDE (8 FT OPTION)
226526	226527

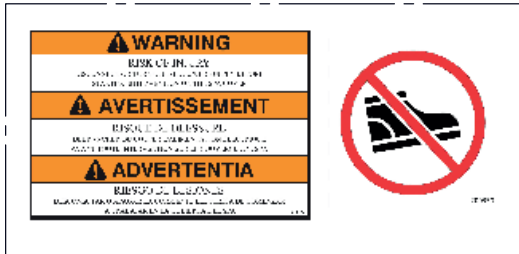
MOTOR U-FRAME PACK	
DESCRIPTION	QTY.
MOTOR SIDE U-FRAME SHORT SIDE	1
5/16-18 HEX NYLON LOCKNUT PAINTED	4
5/16 NYLON WASHER	8
5/16-18x2" HEX CAP SCREW PAINTED	4



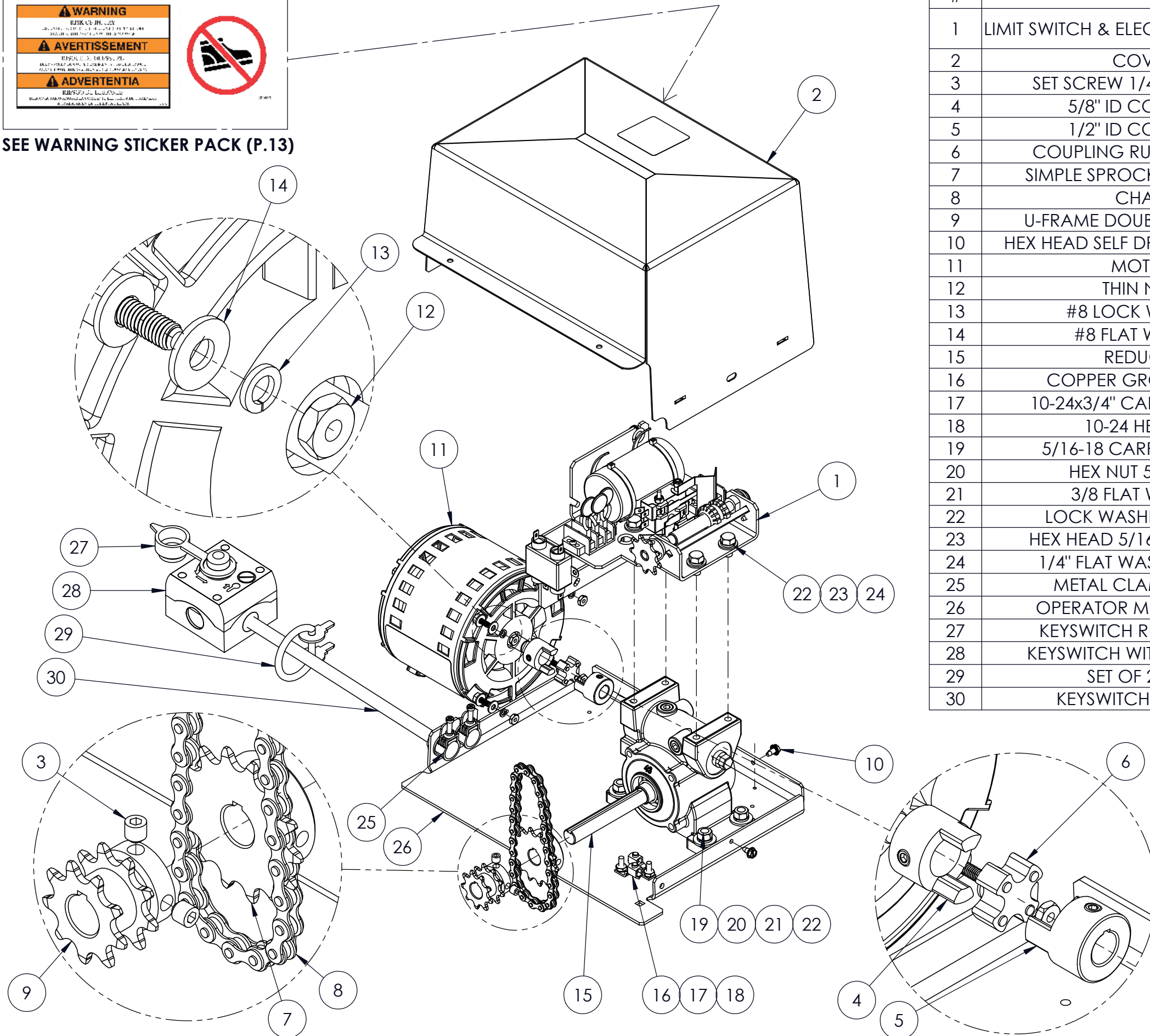
PART NUMBER			
SHORT SIDE (8FT TO 11 FT)		LONG SIDE (8 FT OPTION)	
MOCHA	SLATE	MOCHA	SLATE
226528	226529	226530	226531

SECTION 1.1.1 - OPERATOR ASSEMBLY





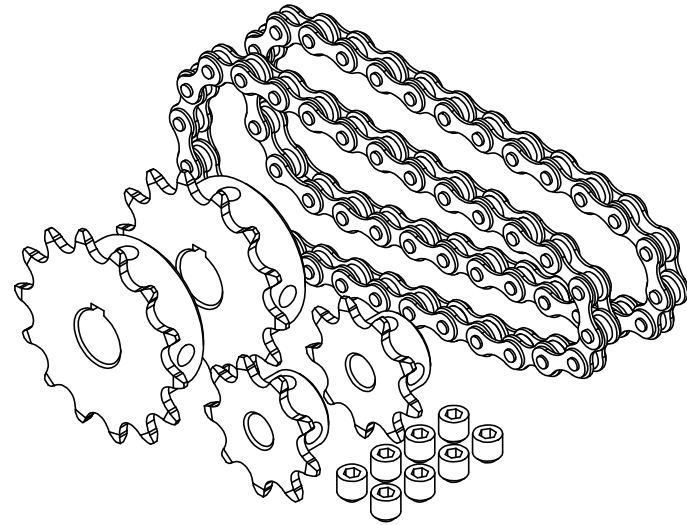
SEE WARNING STICKER PACK (P.13)



ITEM #	DESCRIPTION	PART NUMBER MOCHA	PART NUMBER SLATE	CATALOG PAGE
1	LIMIT SWITCH & ELECTRICAL ASSEMBLY	SEE NORTH AMERICA & EUROPE SECTIONS		15-17
2	COVER	230261	230262	-
3	SET SCREW 1/4" x 5/16" LG.	SEE SPROCKET PACKS		12
4	5/8" ID COUPLING	SEE COUPLING PACK		12
5	1/2" ID COUPLING	SEE COUPLING PACK		12
6	COUPLING RUBBER CROSS	SEE COUPLING PACK		12
7	SIMPLE SPROCKET (13 TEETH)	SEE SPROCKET PACK		12
8	CHAIN	SEE SPROCKET PACK		12
9	U-FRAME DOUBLE SPROCKET	SEE MOTOR SIDE SPROCKET PACK		12
10	HEX HEAD SELF DRILLING SCREWS	SEE COVER HARDWARE PACK		12
11	MOTOR	SEE MOTOR PACK		13
12	THIN NUTS	SEE MOTOR PACK		13
13	#8 LOCK WASHER	SEE MOTOR PACK		13
14	#8 FLAT WASHER	SEE MOTOR PACK		13
15	REDUCER	NOT AVAILABLE		-
16	COPPER GROUND LUG	NOT AVAILABLE		-
17	10-24x3/4" CARRIAGE BOLT	NOT AVAILABLE		-
18	10-24 HEX NUT	NOT AVAILABLE		-
19	5/16-18 CARRIAGE BOLT	NOT AVAILABLE		-
20	HEX NUT 5/16" Z/P	NOT AVAILABLE		-
21	3/8 FLAT WASHER	NOT AVAILABLE		-
22	LOCK WASHER 5/16 Z/P	NOT AVAILABLE		-
23	HEX HEAD 5/16-18 Z/P BOLT	NOT AVAILABLE		-
24	1/4" FLAT WASHER TYPE A	NOT AVAILABLE		-
25	METAL CLAMP-BX L16	NOT AVAILABLE		-
26	OPERATOR MOTOR PLATE	NOT AVAILABLE		-
27	KEYSWITCH RUBBER CAP	SEE KEYSWITCH PACK		14
28	KEYSWITCH WITHOUT CABLE	SEE KEYSWITCH PACK		14
29	SET OF 2 KEYS	SEE KEY PACK		14
30	KEYSWITCH HARNESS	SEE KEYSWITCH CABLE PACK		14

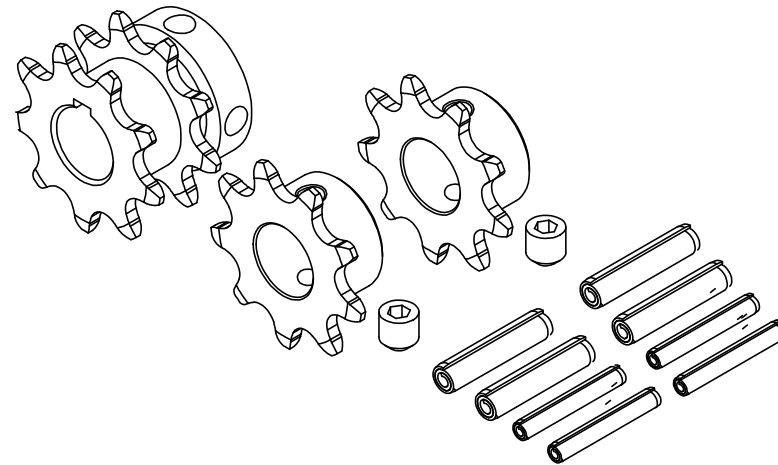
COMPLETE OPERATOR ASS'Y (WITHOUT COVER)	
PART NUMBER NORTH AMERICA	PART NUMBER EUROPE
189275	189274

SPROCKET PACK	
DESCRIPTION	QTY.
CHAIN	2
SIMPLE SPROCKET (13 TEETH)	2
SMALL SPROCKET	2
SET SCREW 1/4" x 5/16" LG.	8



PART NUMBER
226532

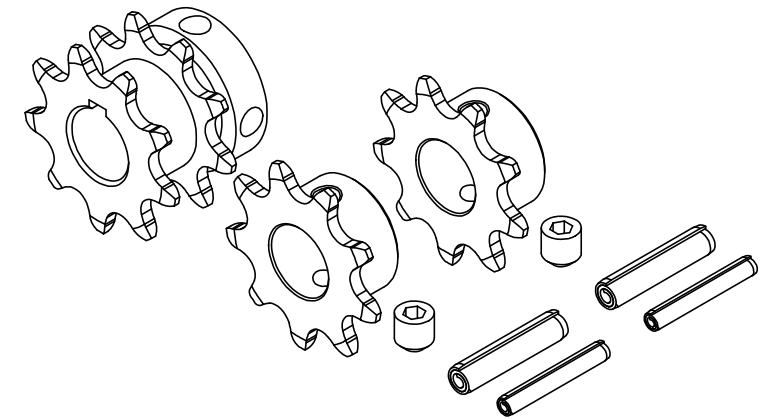
MOTOR SIDE SPROCKET PACK	
DESCRIPTION	QTY.
U-FRAME DOUBLE SPROCKET	1
SET SCREWS	2
5mm SPRING PIN	4
3mm SPRING PIN	4
SPROCKET TPSP9-410-DB (AUX)	2



For unit with s/# after 1903A0269/1903C0013

PART NUMBER
233868

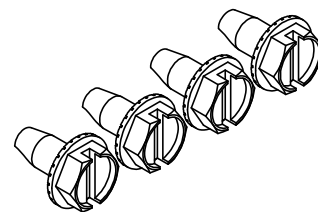
MOTOR SIDE SPROCKET PACK	
DESCRIPTION	QTY.
U-FRAME DOUBLE SPROCKET	1
SET SCREW 1/4" x 5/16" LG.	2
6mm SPRING PIN	2
4mm SPRING PIN	2
SPROCKET 410B9-5/8KO-SO-PH6MM	2



For unit with s/# prior 1903A0269/1903C0013

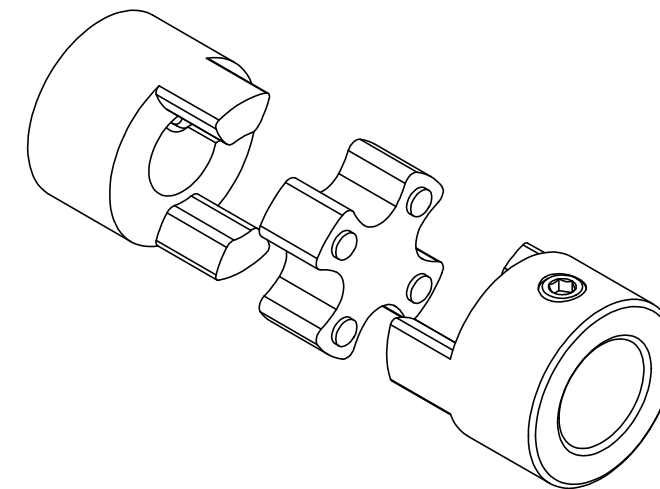
PART NUMBER
226533

COVER HARDWARE PACK	
DESCRIPTION	QTY.
HEX HEAD SELF DRILLING SCREWS	4



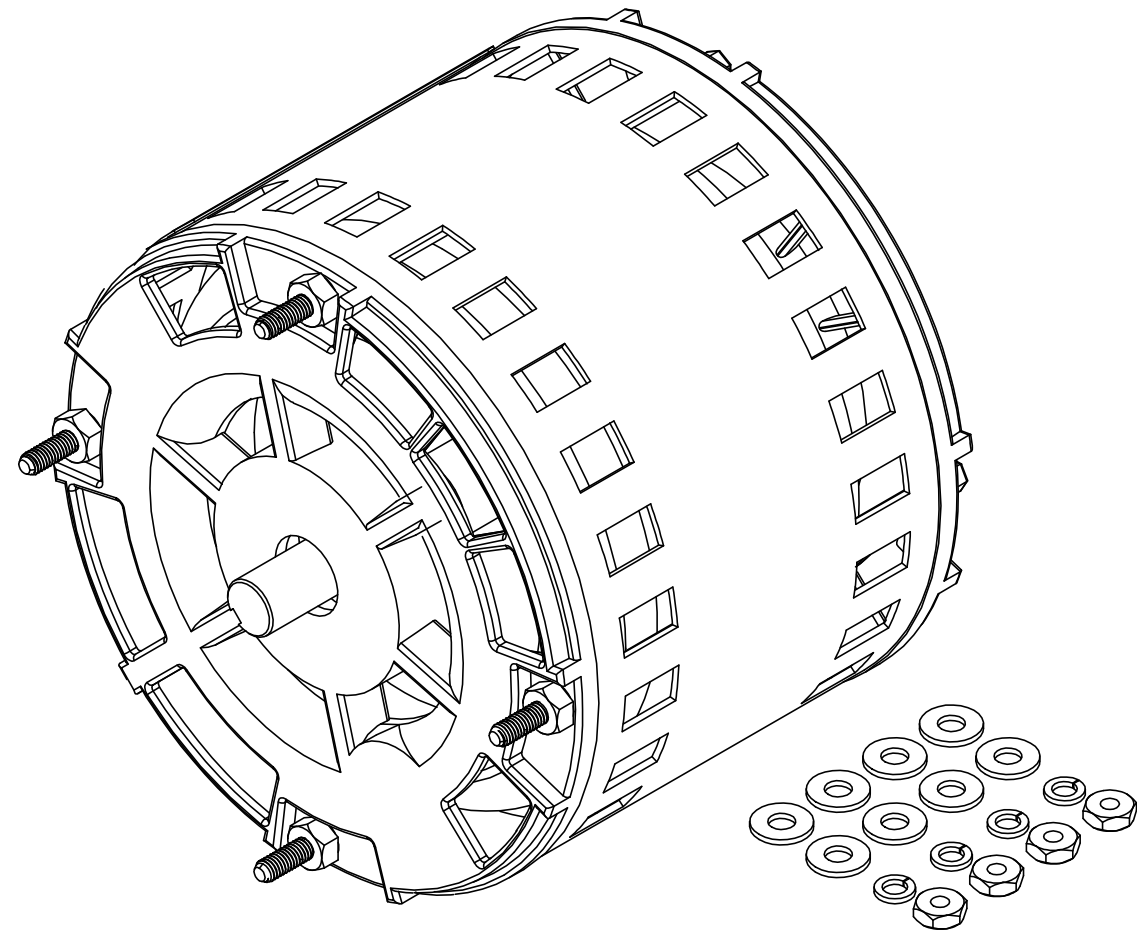
PART NUMBER
226537

COUPLING PACK	
DESCRIPTION	QTY.
COUPLING RUBBER CROSS	1
1/2" ID COUPLING	1
5/8" ID COUPLING	1



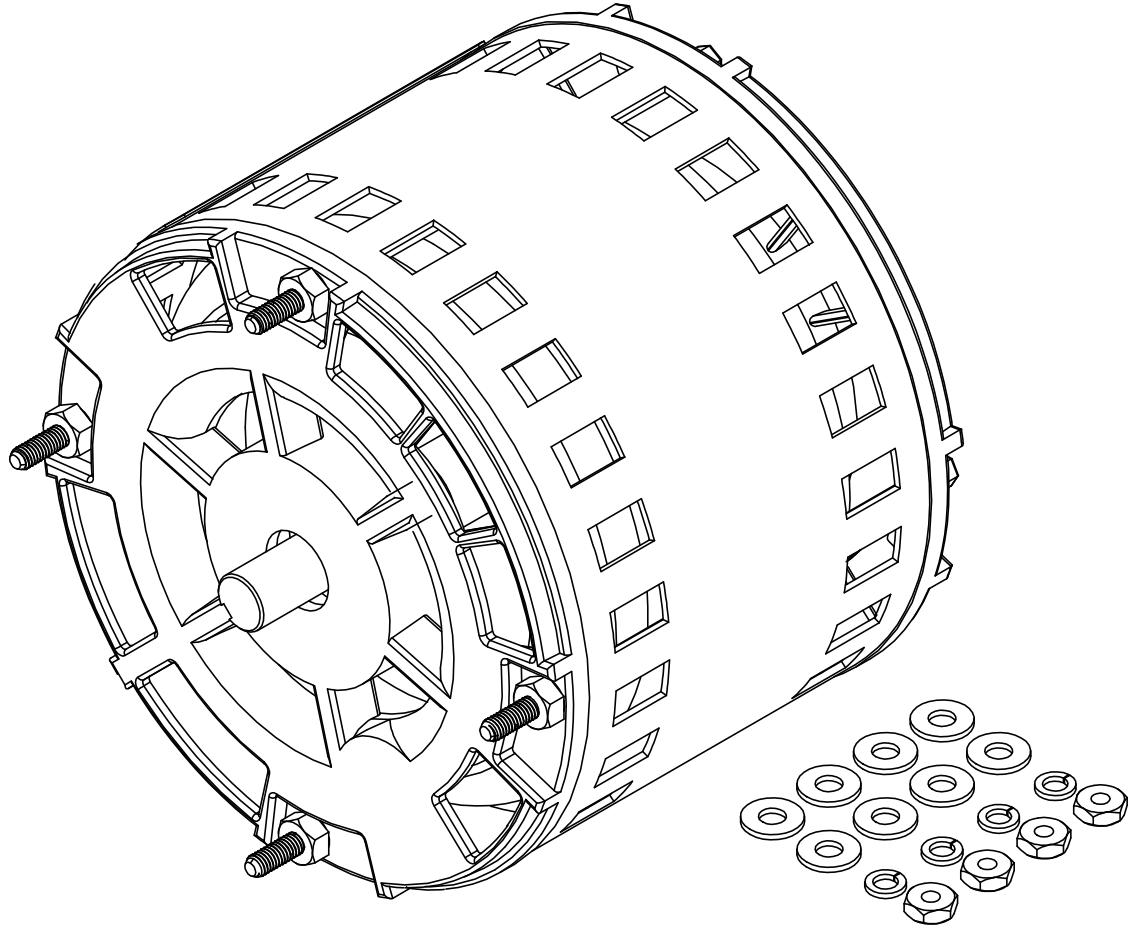
PART NUMBER
226536

MOTOR PACK NORTH AMERICA	
DESCRIPTION	QTY.
MOTOR	1
#8 FLAT WASHER	8
#8 LOCK WASHER	4
THIN NUTS	4

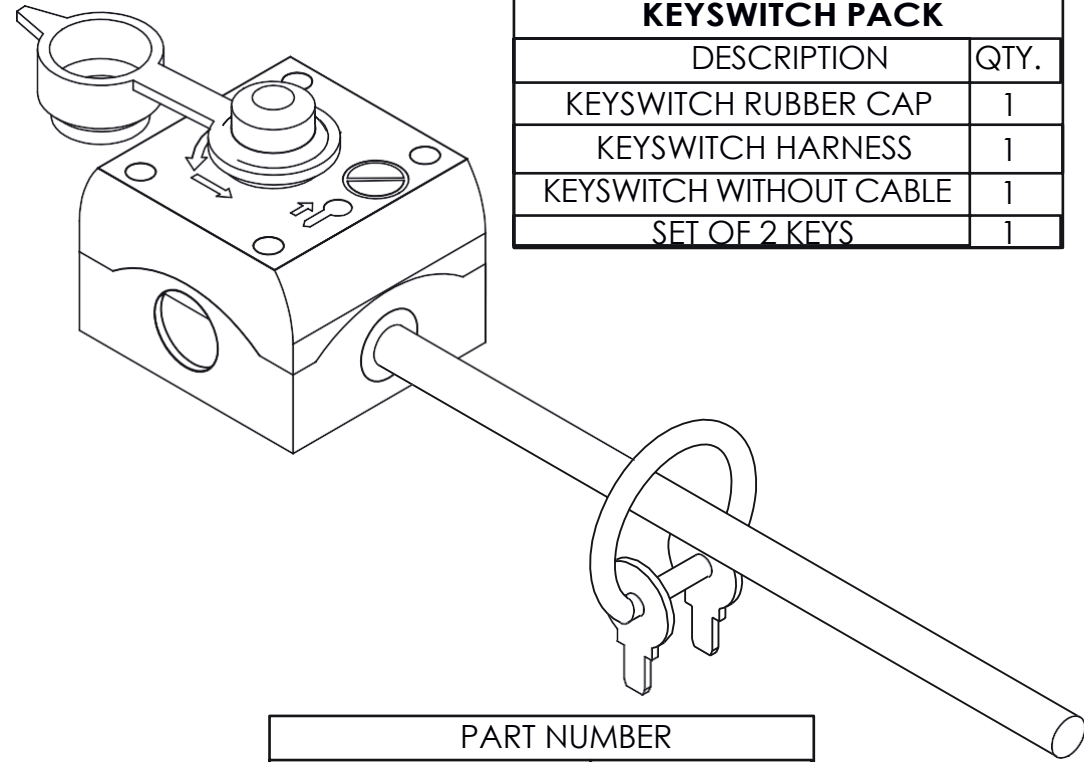


PART NUMBER
221605

MOTOR PACK EUROPE	
DESCRIPTION	QTY.
MOTOR	1
#8 FLAT WASHER	8
#8 LOCK WASHER	4
THIN NUTS	4



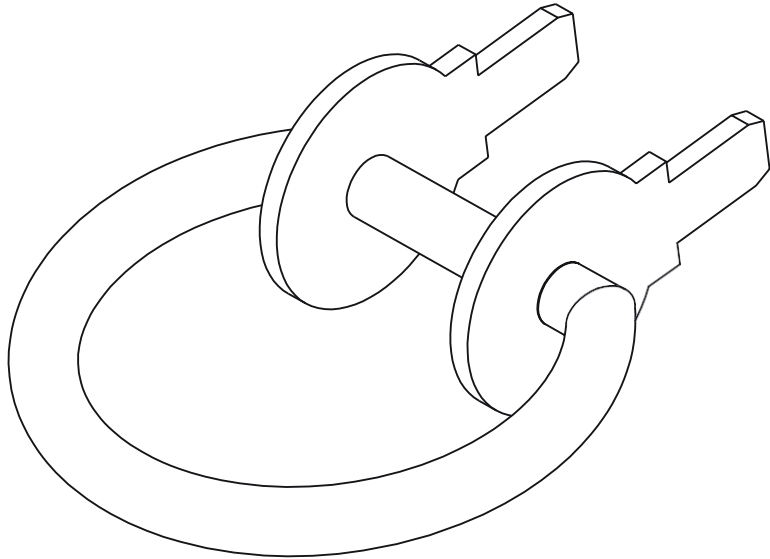
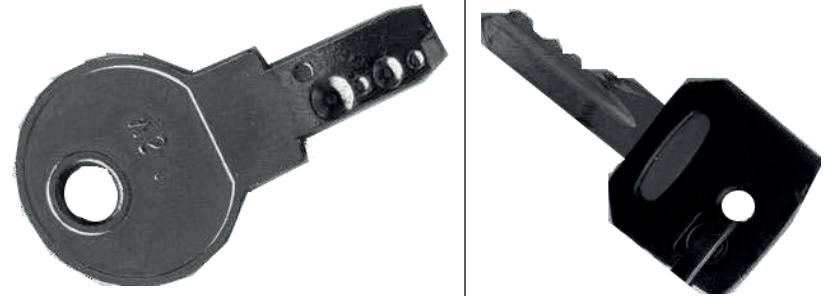
PART NUMBER
221606



KEYSWITCH PACK	
DESCRIPTION	QTY.
KEYSWITCH RUBBER CAP	1
KEYSWITCH HARNESS	1
KEYSWITCH WITHOUT CABLE	1
SET OF 2 KEYS	1

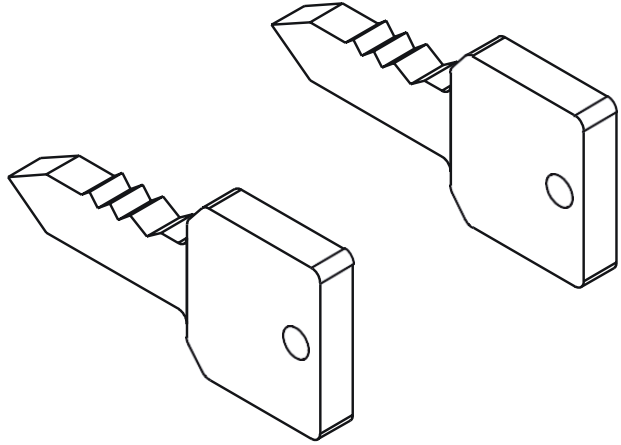
PART NUMBER	
NORTH AMERICA 192874	EUROPE 203105

KEY PACK TYPE A	
DESCRIPTION	QTY.
KEY	2



PART NUMBER
226538

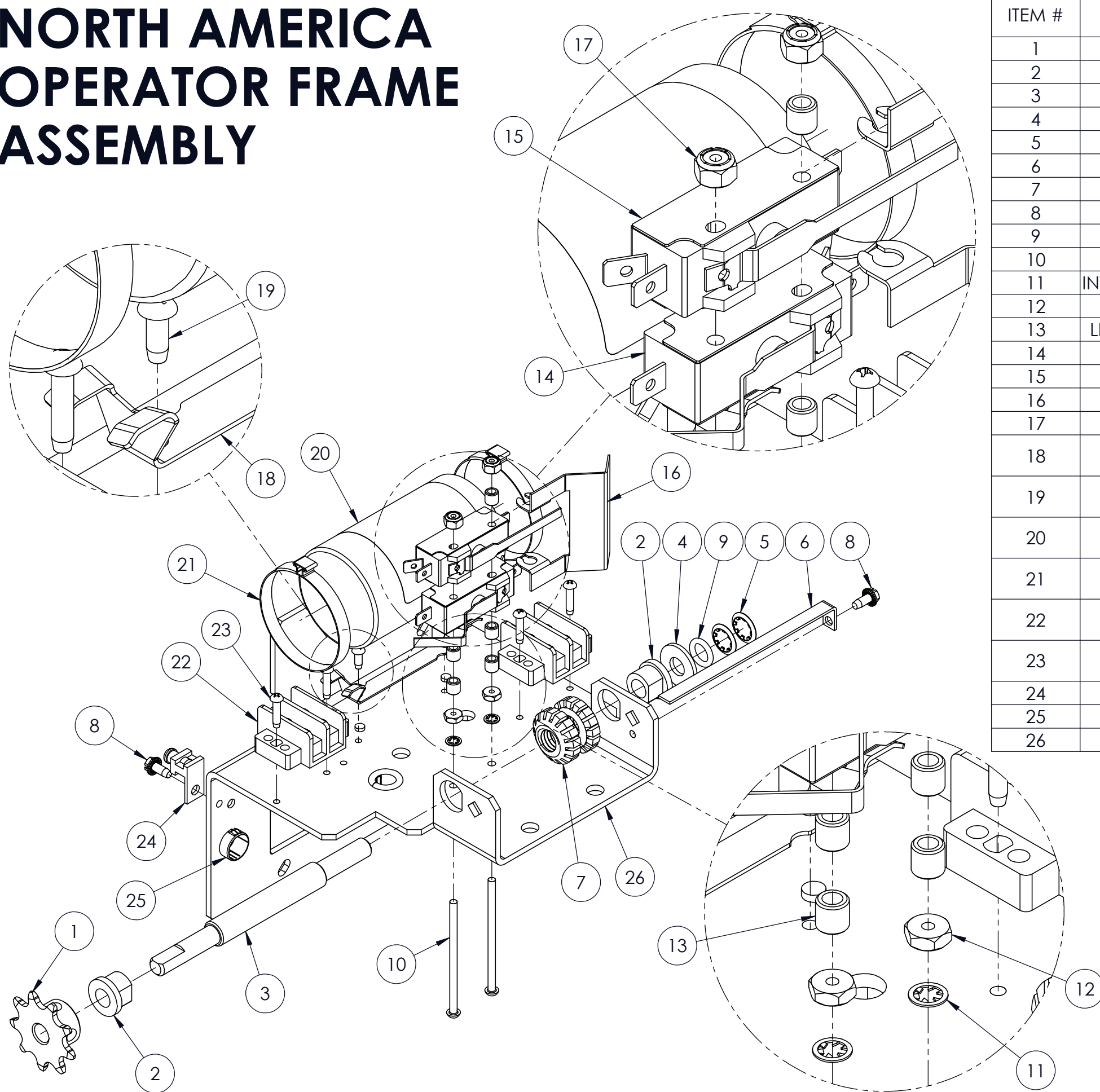
KEY PACK TYPE B	
DESCRIPTION	QTY.
KEY	2



**USED IN SOME 2021 & 2022
UNITS PLEASE CONFIRM STYLE
FROM VISUAL BEFORE
ORDERING**

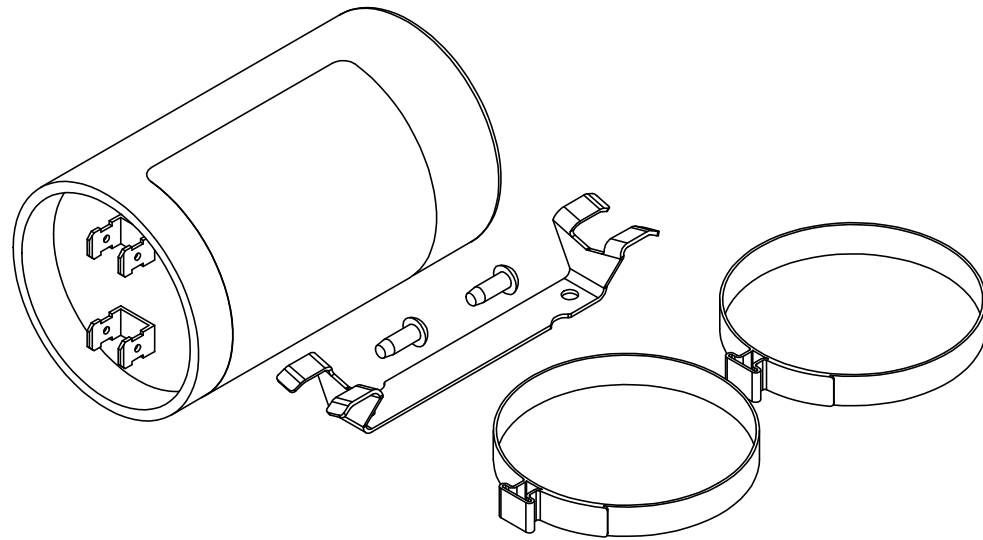
PART NUMBER
228311

NORTH AMERICA OPERATOR FRAME ASSEMBLY



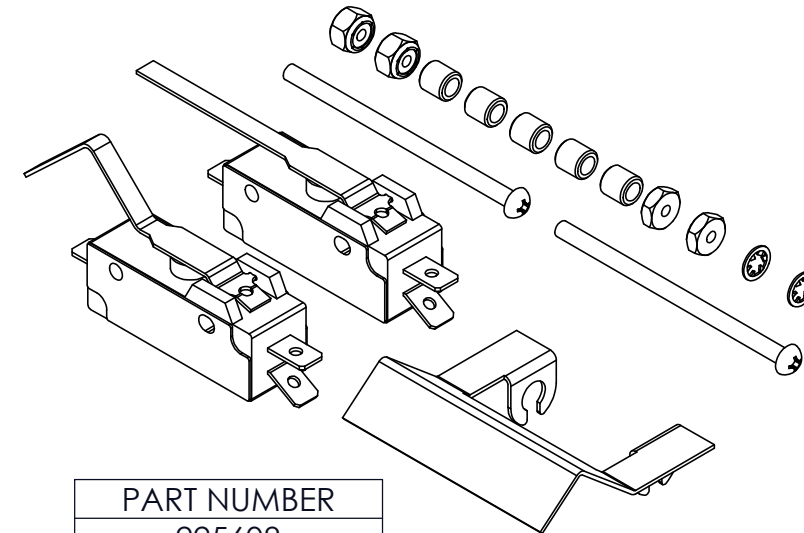
ITEM #	DESCRIPTION	PART NUMBER	CATALOG PAGE
1	SMALL SPROCKET	SEE SPROCKET PACK	12
2	BUSHING W/ FLAT	SEE LIMIT SHAFT PACK	16
3	LIMIT SHAFT 1/2-13UNC	SEE LIMIT SHAFT PACK	16
4	3/8 FLAT WASHER	SEE LIMIT SHAFT PACK	16
5	EXTERNAL 3/8 RETAINING RING	SEE LIMIT SHAFT PACK	16
6	COV-OAS-OPERATOR CAM PLATE	SEE LIMIT SHAFT PACK	16
7	THREADED CAM	SEE LIMIT SHAFT PACK	16
8	8-32X3/8 TYPE F S-TAP SCREW	SEE LIMIT SHAFT PACK	16
9	LIMIT SHAFT O-RING	SEE LIMIT SHAFT PACK	16
10	6-32 X 2-1/2" MACHINE SCREW	SEE LIMIT SWITCH PACK	16
11	INTERNAL TOOTH LOCK WASHER NO 6	SEE LIMIT SWITCH PACK	16
12	6-32 HEX NUT Z/P	SEE LIMIT SWITCH PACK	16
13	LIMIT SWITCH SPACER 1/4"X1/4" ALU.	SEE LIMIT SWITCH PACK	16
14	UPPER LIMIT SWITCH	SEE LIMIT SWITCH PACK	16
15	LOWER LIMIT SWITCH	SEE LIMIT SWITCH PACK	16
16	LIMIT LEVER	SEE LIMIT SWITCH PACK	16
17	6-32 HEX NYLON LOCK NUT Z/P	SEE LIMIT SWITCH PACK	16
18	ANCHOR / MOUNTING BRACKET	SEE NORTH AMERICA CAPACITOR PACK	16
19	6-32 X 3/8" TYPE F SLFTP SCREW	SEE NORTH AMERICA CAPACITOR PACK	16
20	CAPACITOR	SEE NORTH AMERICA CAPACITOR PACK	16
21	11" CABLE TIE / CAPACITOR STRAP	SEE NORTH AMERICA CAPACITOR PACK	16
22	DOUBLE CONNECTOR BLOCK	SEE DOUBLE CONNECTOR BLOCK PACK	16
23	6-32 X 5/8" TYPE F SLFTP SCREW	SEE DOUBLE CONNECTOR BLOCK PACK	16
24	GROUND CONNECTOR	NOT AVAILABLE	-
25	WIRE PROTECTION BUSHING	NOT AVAILABLE	-
26	COV-OAS-OPERATOR FRAME	NOT AVAILABLE	-

NORTH AMERICA CAPACITOR PACK	
DESCRIPTION	QTY.
CAPACITOR	1
6-32 X 3/8" TYPE F SLFTP SCREW	2
ANCHOR / MOUNTING BRACKET	1
11" CABLE TIE / CAPACITOR STRAP	2



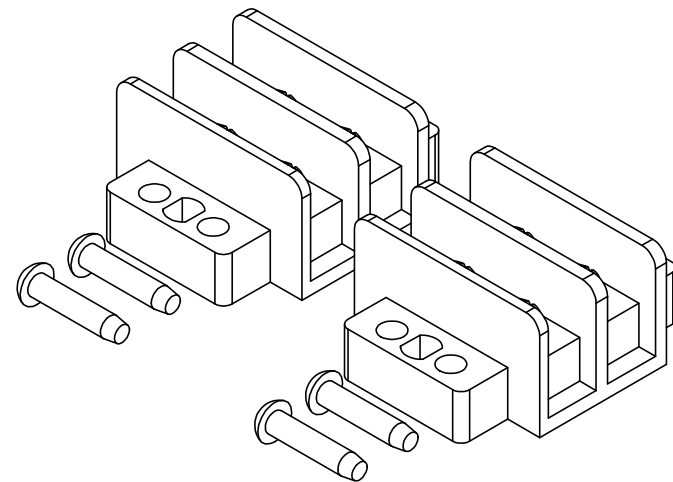
PART NUMBER
221430

LIMIT SWITCH PACK	
DESCRIPTION	QTY.
UPPER LIMIT SWITCH	1
LOWER LIMIT SWITCH	1
6-32 HEX NYLON LOCK NUT Z/P	2
LIMIT SWITCH SPACER 1/4"X1/4" ALU.	5
6-32 HEX NUT Z/P	2
INTERNAL TOOTH LOCK WASHER NO 6	2
LIMIT LEVER	1
6-32 X 2-1/2" MACHINE SCREW	2



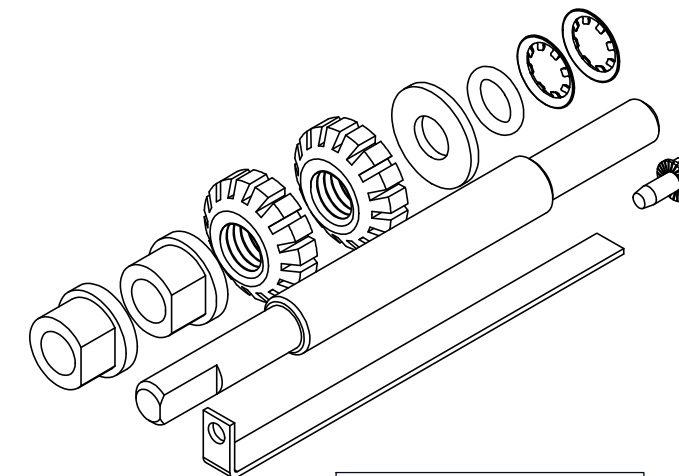
PART NUMBER
225608

DOUBLE CONNECTOR BLOCK PACK	
DESCRIPTION	QTY.
DOUBLE CONNECTOR BLOCK	2
6-32 X 5/8" TYPE F SLFTP SCREW	4



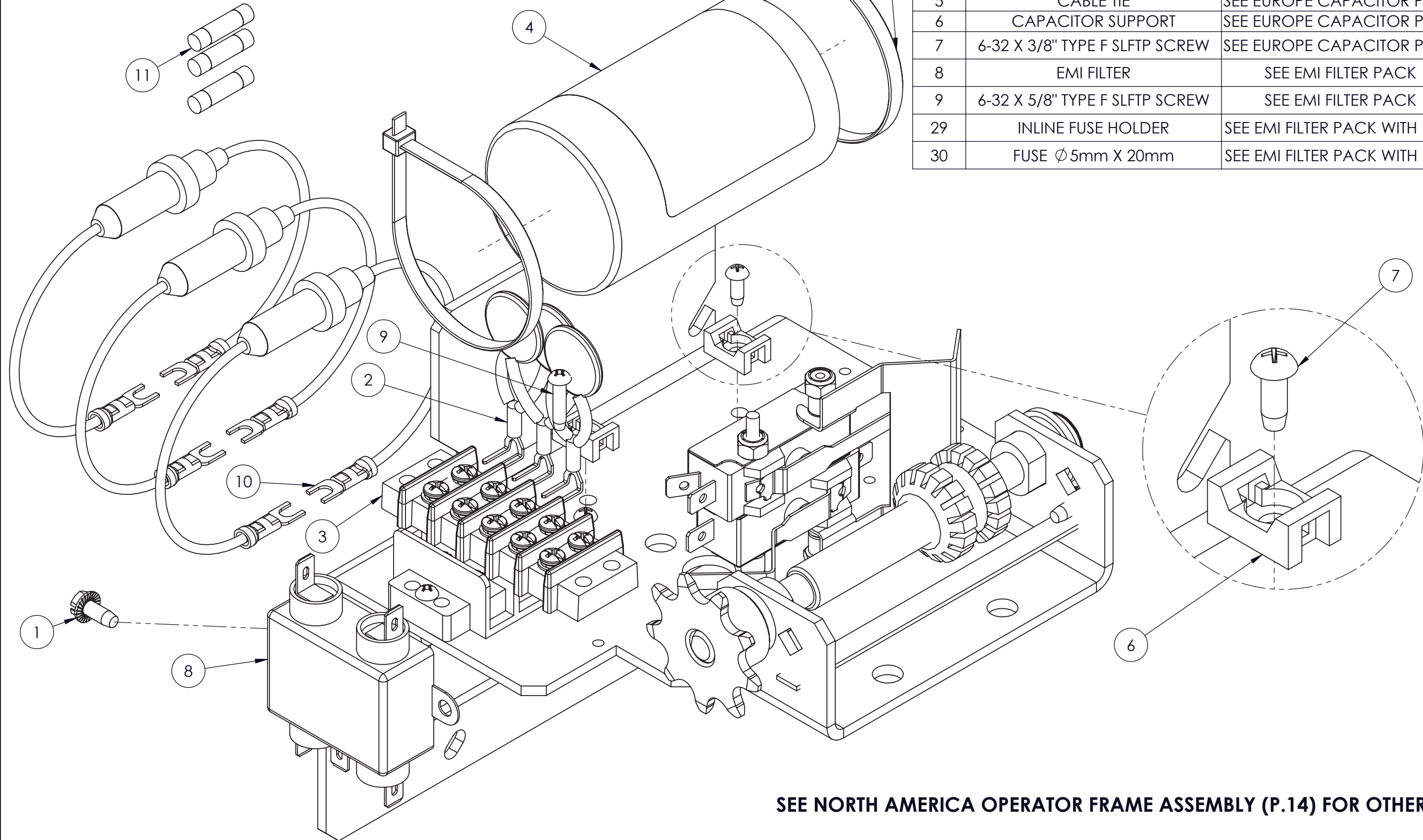
PART NUMBER
226540

LIMIT SHAFT PACK	
DESCRIPTION	QTY.
LIMIT SHAFT 1/2-13UNC	1
BUSHING W/ FLAT	2
THREADED CAM	2
3/8 FLAT WASHER	1
LIMIT SHAFT O-RING	1
EXTERNAL 3/8 RETAINING RING	2
COV-OAS-OPERATOR CAM PLATE	1
8-32X3/8 TYPE F S-TAP SCREW	1



PART NUMBER
226541

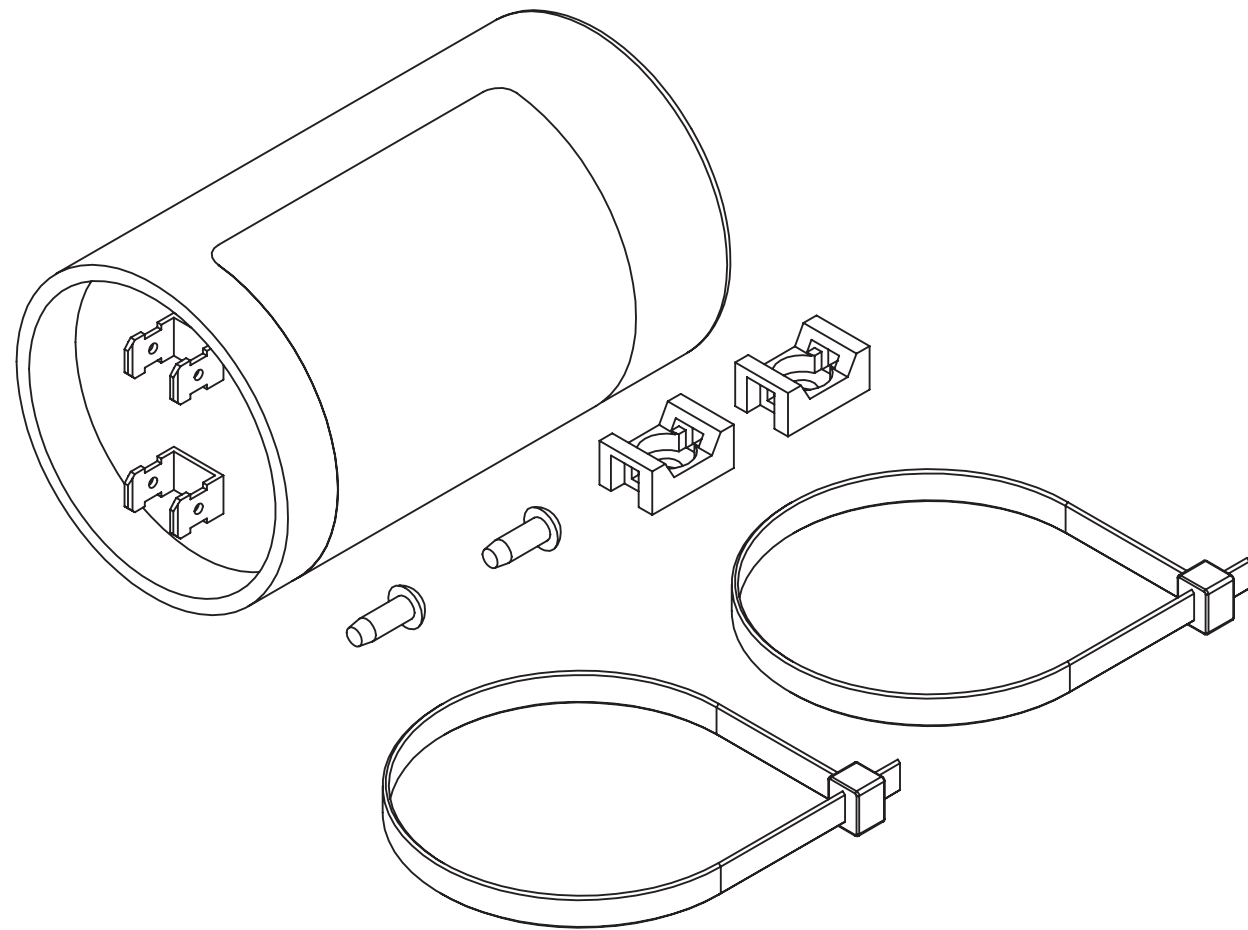
EUROPE OPERATOR FRAME ASSEMBLY



ITEM #	DESCRIPTION	PART NUMBER	CATALOG PAGE
1	8-32X3/8 TYPE F S-TAP SCREW	SEE EMI FILTER PACK	18
2	MOV PACK	SEE EMI FILTER PACK	18
3	TERMINAL BLOCK 5	SEE EMI FILTER PACK	18
4	CAPACITOR	SEE EUROPE CAPACITOR PACK	18
5	CABLE TIE	SEE EUROPE CAPACITOR PACK	18
6	CAPACITOR SUPPORT	SEE EUROPE CAPACITOR PACK	18
7	6-32 X 3/8" TYPE F SLFTP SCREW	SEE EUROPE CAPACITOR PACK	18
8	EMI FILTER	SEE EMI FILTER PACK	18
9	6-32 X 5/8" TYPE F SLFTP SCREW	SEE EMI FILTER PACK	18
29	INLINE FUSE HOLDER	SEE EMI FILTER PACK WITH FUSE	18
30	FUSE \varnothing 5mm X 20mm	SEE EMI FILTER PACK WITH FUSE	18

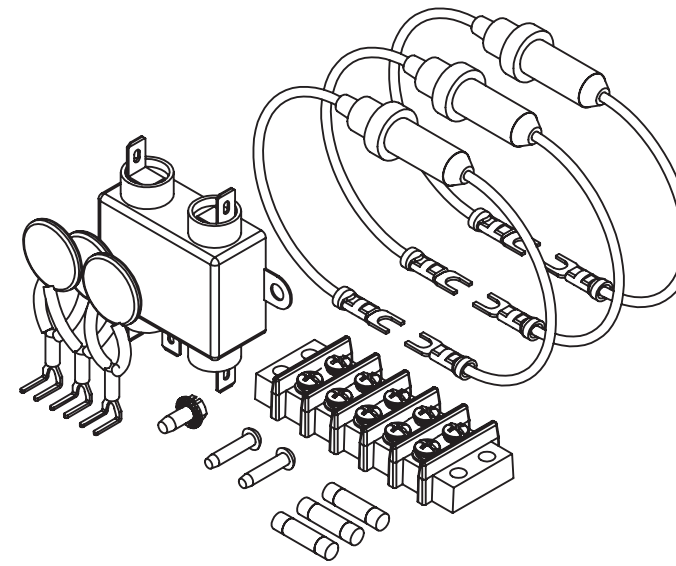
SEE NORTH AMERICA OPERATOR FRAME ASSEMBLY (P.14) FOR OTHER PARTS

EUROPE CAPACITOR PACK	
DESCRIPTION	QTY.
CAPACITOR	1
CABLE TIE	2
CAPACITOR SUPPORT	2
6-32 X 3/8" TYPE F SLFTP SCREW	2



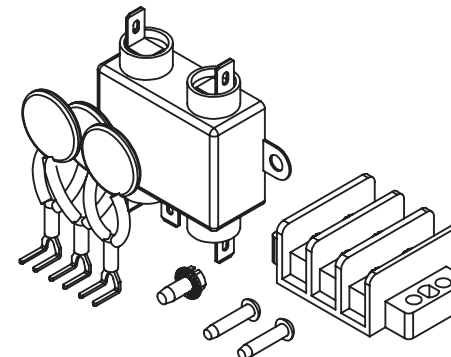
PART NUMBER
221415

EMI FILTER PACK WITH FUSE	
DESCRIPTION	QTY.
MOV PACK	1
8-32X3/8 TYPE F S-TAP SCREW	1
TERMINAL BLOCK 5	1
FUSE ϕ 5mm X 20mm	3
INLINE FUSE HOLDER	3
EMI FILTER	1
6-32 X 5/8" TYPE F SLFTP SCREW	2



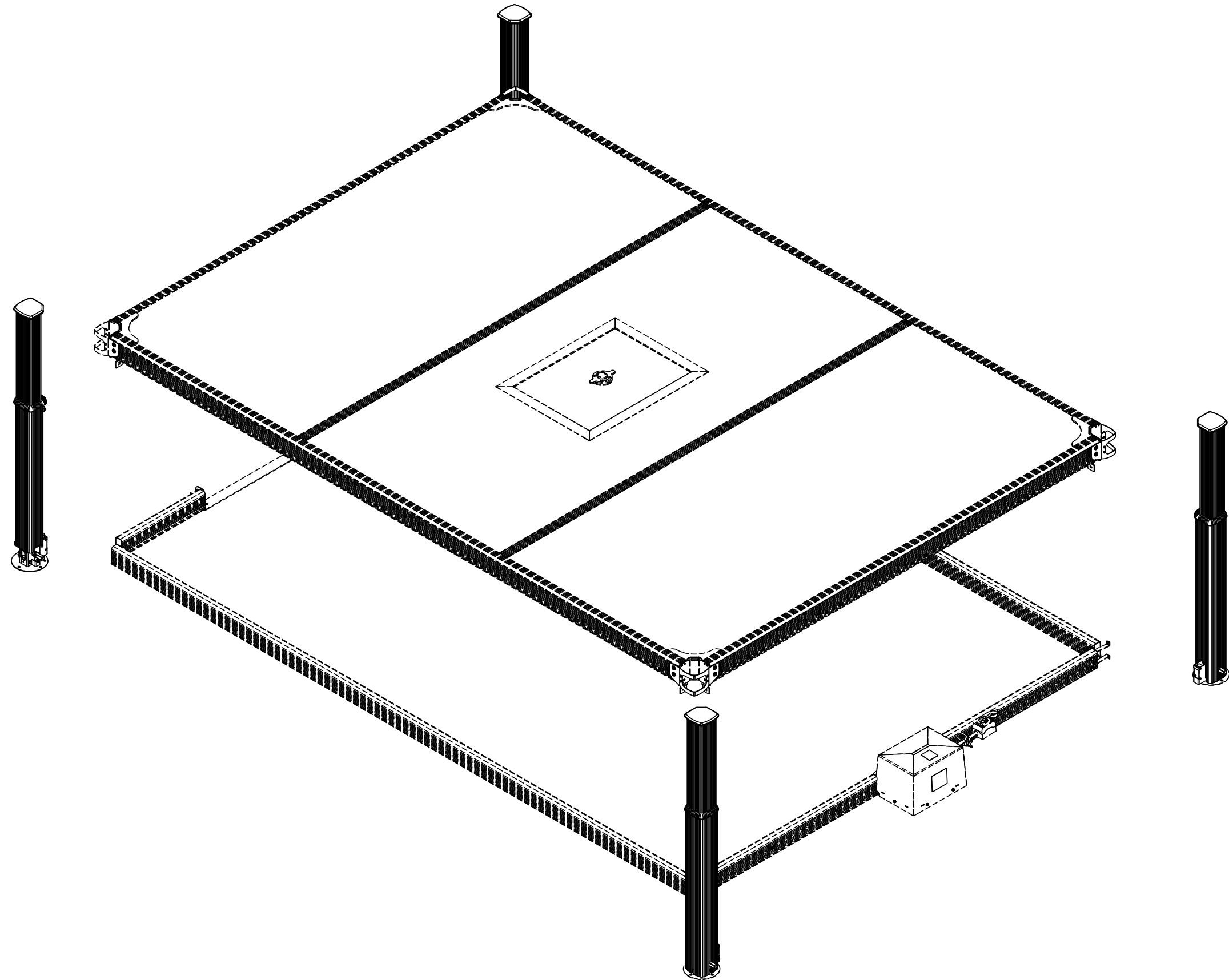
PART NUMBER
237533

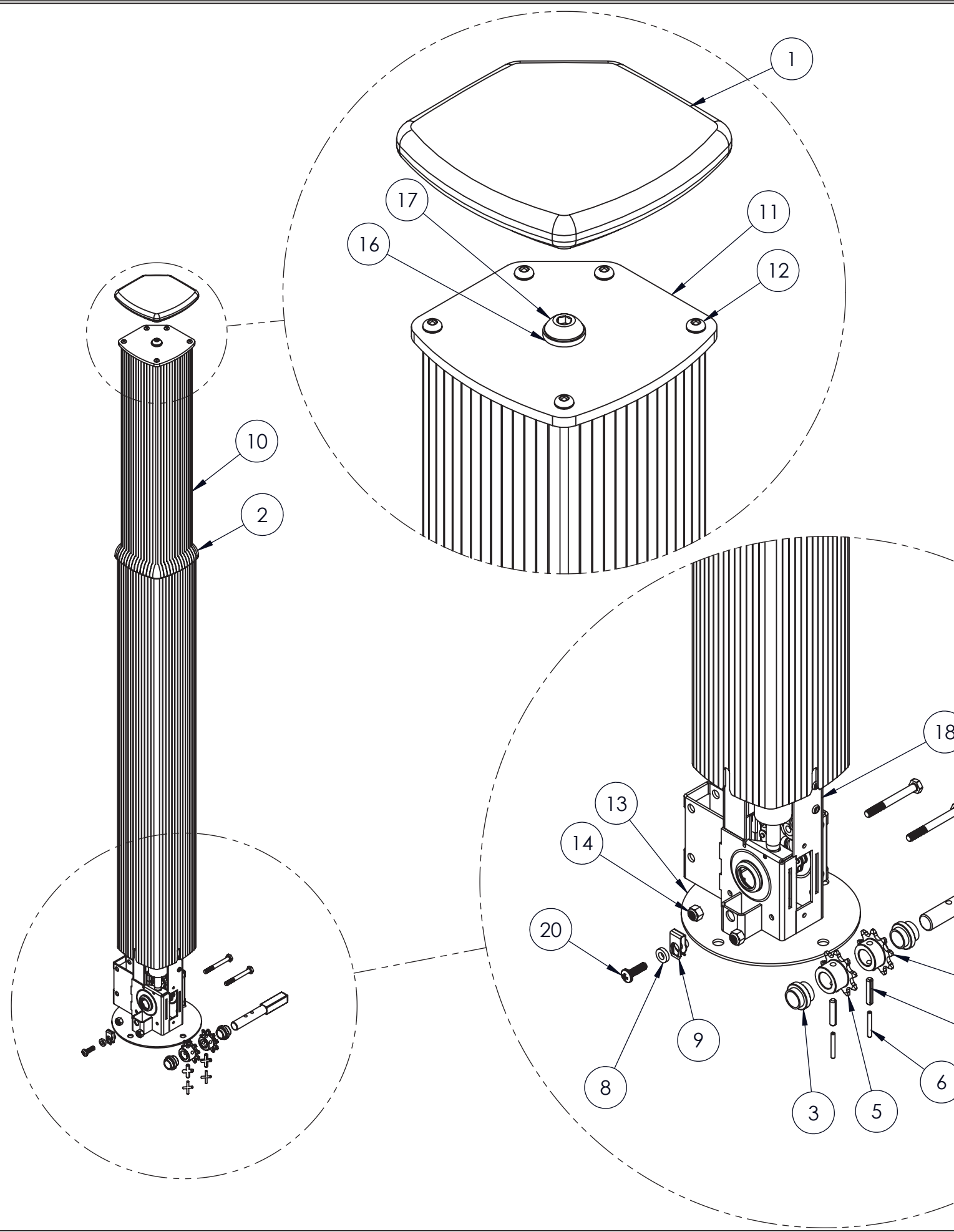
EMI FILTER PACK WITHOUT FUSE	
DESCRIPTION	QTE
EMI FILTER	1
MOV PACK	1
6-32 X 5/8" TYPE F SLFTP SCREW	2
DOUBLE CONNECTOR BLOCK	1
8-32X3/8 TYPE F S-TAP SCREW	1



PART NUMBER
221470

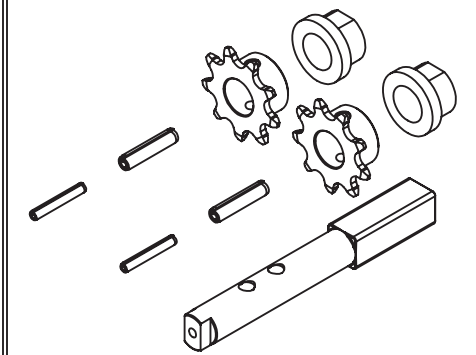
SECTION 1.1.2 - POSTS ASSEMBLY





ITEM #	DESCRIPTION	PART NUMBER	CATALOG PAGE
1	TOP PLATE MOLDED COVER	SEE TOP PLATE COVER PACK	21
2	ALL-WEATHER SEAL MOLDED BLACK	SEE ALL-WEATHER SEAL PACK	21
3	6802-2RS SPECIAL BEARING	SEE G3 BEARINGS PACK	21
4	SPROCKET TPSP9-410-DB (DRIVE)	SEE G3-1230 LOWER SHAFT PACK	21
5	SPROCKET TPSP9-410-DB (AUX)	SEE G3-1230 LOWER SHAFT PACK	21
6	3mm x 25mm SLOTTED SPRING PIN-B.O.	SEE SPRING PIN PACK	21
7	5mm x 25mm SLOTTED SPRING PIN-B.O.	SEE SPRING PIN PACK	21
8	1/4" NYLON WASHER	SEE PANEL NUT PACK	21
9	M6-1.0 PANEL NUT	SEE PANEL NUT PACK	21
10	SLEEVE ASSEMBLY WITH SEAL	SEE SLEEVE PACK	22
11	VERTICAL POST TOP PLATE	SEE SLEEVE PACK	22
12	#8 X 3/4"RHSD SLFTP SCREW	SEE SLEEVE PACK	22
13	FOOT ASSEMBLY	SEE FOOT PLATE PACK	23
14	1/4-20 HEX NYLON LOCK NUT	SEE FOOT PLATE PACK	23
15	1/4-20x2 1/4" HEX CAP SCREW	SEE FOOT PLATE PACK	23
16	TOP PLATE BUSHING	SEE TOP BUSHING PACK	23
17	3/8-24x1" BUTTON HEAD SCREW	SEE TOP BUSHING PACK	23
18	COV-GEN-POST-ASS'Y-G3-R-1230-600N	SEE JACK SECTION	24
19	BOTTOM SHAFT (FULL LENGTH)	SEE G3-1230 LOWER SHAFT PACK	21
20	M6-1.0x20MM PHILIPS PAN HEAD	SEE PANEL NUT PACK	21

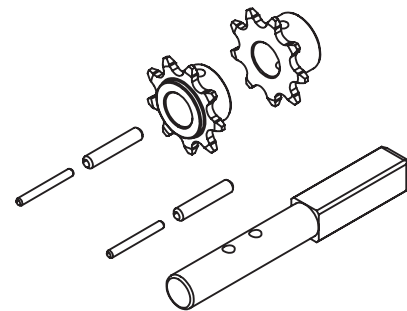
G2 LOWER SHAFT PACK	
DESCRIPTION	QTE
SPROCKET 410B9-5/8KO-SO-PH6MM	2
UHMW BUSHING	2
SHAFT 16-128(2 PIN HOLES)	1
6mm SPRING PIN	2
4mm SPRING PIN	2



For unit with s/# prior
1903A0269/1903C0013

PART NUMBER
226542

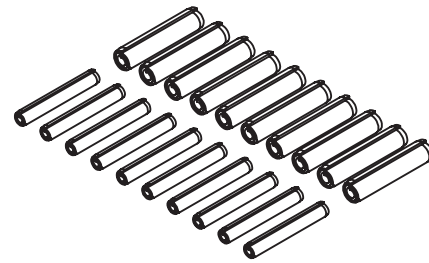
G3-1230 LOWER SHAFT PACK	
DESCRIPTION	QTY.
5mm SPRING PIN	2
3mm SPRING PIN	2
SPROCKET TPSP9-410-DB (DRIVE)	1
SPROCKET TPSP9-410-DB (AUX)	1
BOTTOM SHAFT (FULL LENGTH)	1



For unit with s/# after
1903A0269/1903C0013

PART NUMBER
230640

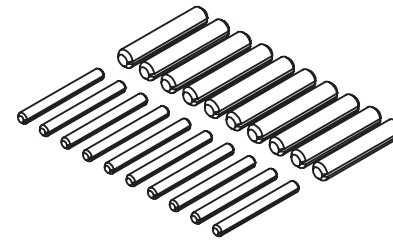
G2-SPRING PIN PACK	
DESCRIPTION	QTE
4mm SPRING PIN	10
6mm SPRING PIN	10



For unit with s/# prior
1903A0269/1903C0013

PART NUMBER
226543

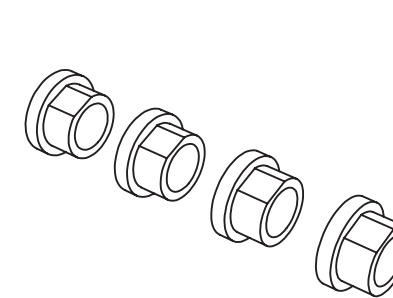
G3-SPRING PIN PACK	
DESCRIPTION	QTY.
5mm SPRING PIN	10
3mm SPRING PIN	10



For unit with s/# after
1903A0269/1903C0013

PART NUMBER
230644

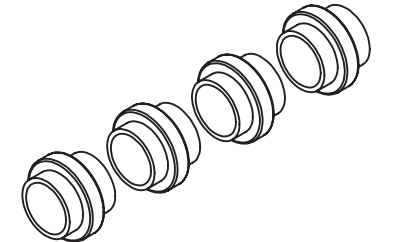
G2 BUSHING PACK	
DESCRIPTION	QTE
UHMW BUSHING	4



For unit with s/# prior
1903A0269/1903C0013

PART NUMBER
226544

G3 BEARINGS PACK	
DESCRIPTION	QTY.
6802-2RS SPECIAL BEARING	4

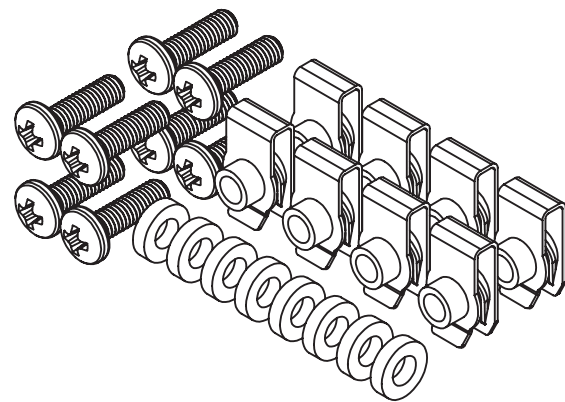


For unit with s/# after
1903A0269/1903C0013

PART NUMBER
230641

PANEL NUT PACK

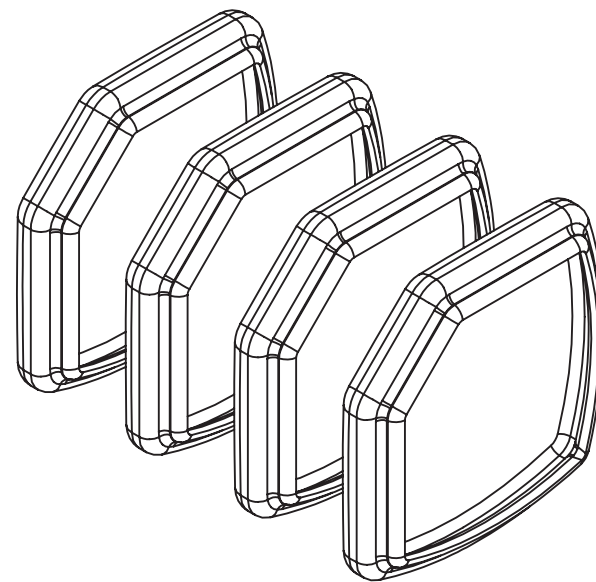
DESCRIPTION	QTY.
M6-1.0 PANEL NUT	8
1/4" NYLON WASHER	8
M6-1-20MM(Z/P)	8



PART NUMBER	
MOCHA	SLATE
226545	226546

TOP PLATE COVER PACK

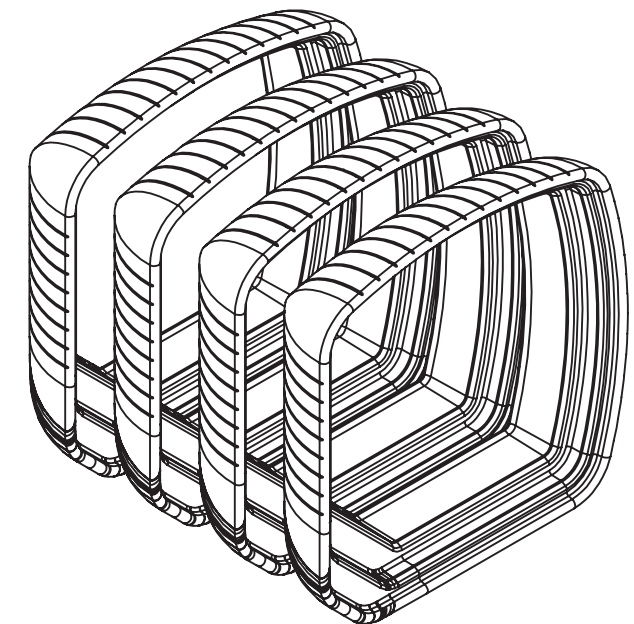
DESCRIPTION	QTY.
TOP PLATE MOLDED COVER	4



PART NUMBER
226547

ALL WEATHER SEAL PACK

DESCRIPTION	QTY.
ALL-WEATHER SEAL MOLDED BLACK	4

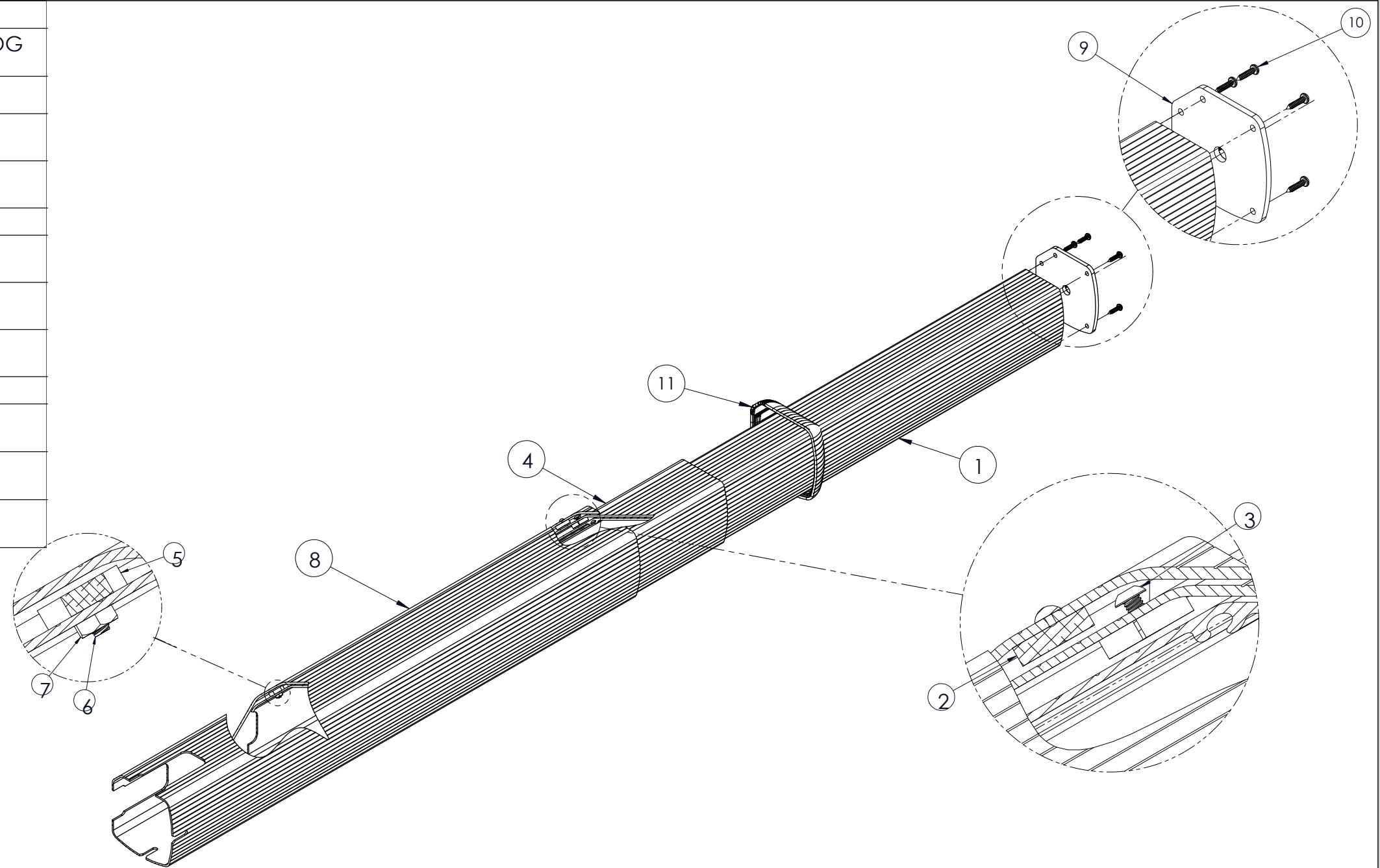


PART NUMBER
226548

IMPORTANT NOTE: PLEASE IDENTIFY YOUR COVANA COVER VERSION BEFORE SELECTING REPLACEMENT PART NUMBERS.

SLEEVE PACK

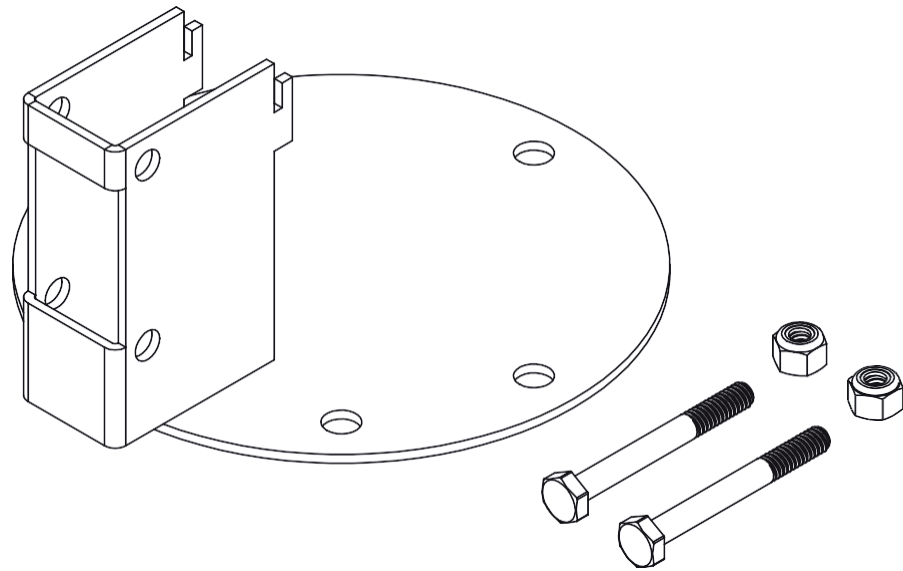
ITEM #	DESCRIPTION	PART NUMBER	CATALOG PAGE
1	INNER SLEEVE	See chart at the bottom	N/A
2	COV-STOPPER-THREADED (ALU)	SEE STOPPER PACK	23
3	#8-32 x 1/4" LG. ALLEN SCREW SS	SEE STOPPER PACK	23
4	MIDDLE SLEEVE	See chart at the bottom	N/A
5	COV-STOPPER-HOLE (ALU)	SEE STOPPER PACK	23
6	8-32 x 7/16" FLAT HEAD SOCKET CAP SCREW S.S.	SEE STOPPER PACK	23
7	8-32 MACHINE SCREW NUT Z/P	SEE STOPPER PACK	23
8	OUTER SLEEVE	See chart at the bottom	N/A
9	VERTICAL POST TOP PLATE	SEE VERTICAL POST TOP PLATE PACK	23
10	#8 X 3/4"RHSD SLFTP SCREW	SEE VERTICAL POST TOP PLATE PACK	23
11	ALL-WEATHER SEAL MOLDED BLACK	SEE ALL WEATHER SEAL PACK	21



PART NUMBER

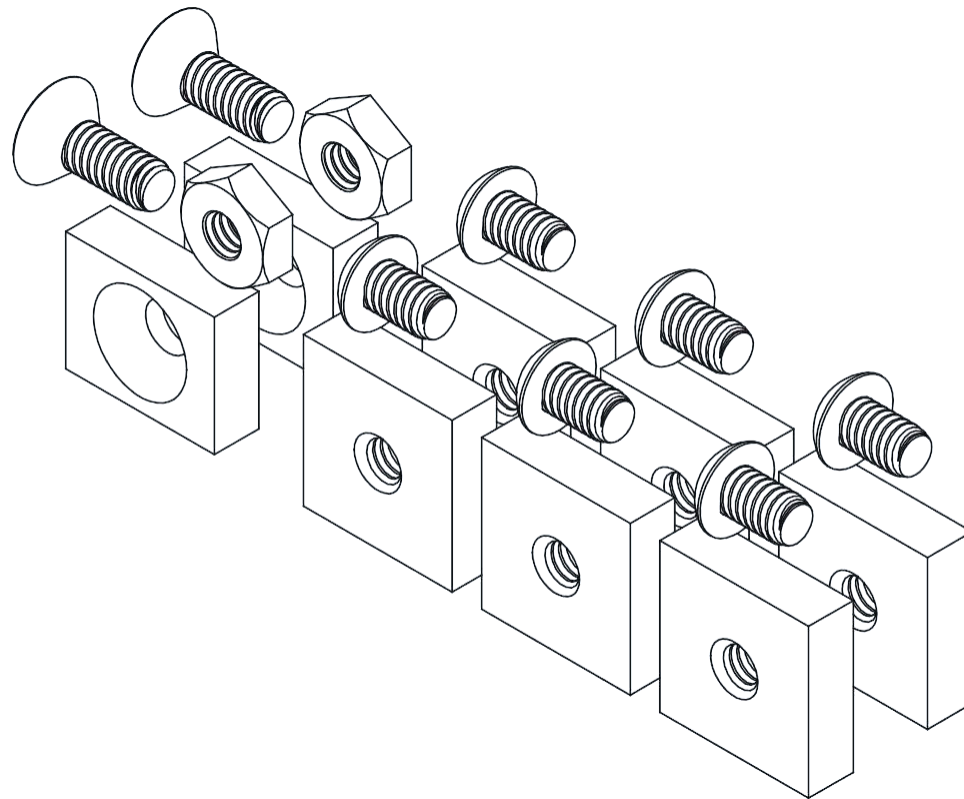
	8FT MOCHA	8FT SLATE	9FT(SH) MOCHA	9FT(SH) SLATE	9FT MOCHA	9 FT - SLATE BEFORE S/# SLATE/WHITE 1805A0448 SLATE/PLATINUM 1805A0448	9 FT - SLATE AFTER S/# SLATE/WHITE 1805A0448 SLATE/PLATINUM 1805A0448	10FT MOCHA	10FT - SLATE BEFORE S/# SLATE/WHITE 2101A0123 SLATE/PLATINUM 2102A0181	10FT - SLATE AFTER S/# SLATE/WHITE 2103A0435 SLATE/PLATINUM 2103A0308	11FT MOCHA	11FT - SLATE BEFORE S/# SLATE/WHITE 2003A0358 SLATE PLATINUM 2003A0376	11FT - SLATE AFTER S/# SLATE/WHITE 2102A0182 SLATE/PLATINUM 2102A0182
COMPLETE ASS'Y	214627	214628	214627	214628	214270	214271	214628	214270	214271	214628	214270	214271	214628
INNER SLEEVE	196481	200255	196481	200255	196481	200255	200255	196481	200255	200255	196481	200255	200255
MIDDLE SLEEVE	198322	196477	198322	196477	212727	212726	196477	212727	212726	196477	212727	212726	196477
OUTER SLEEVE	200256	200257	200256	200257	212729	212728	200257	212729	212728	200257	212729	212728	200257

FOOT PLATE PACK	
DESCRIPTION	QTY.
FOOT ASSEMBLY	1
1/4-20X2 1/4" HEX CAP SCREW	2
1/2-20 HEX N LON LOCK NUT	2



PART NUMBER	
MOCHA	SLATE
226549	226550

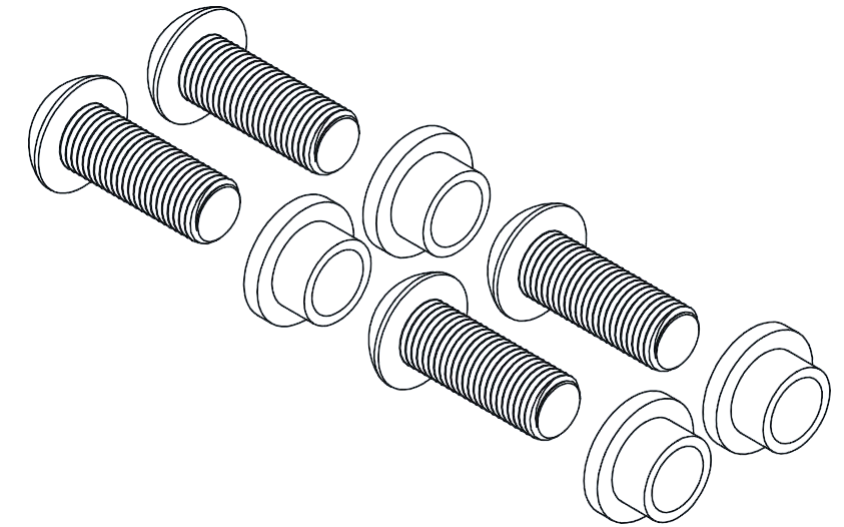
STOPPER PACK		
DESCRIPTION	QTY. (GREY)	QTY. (BLACK)
STOPPER-THREADED (ALU)	6	4
8-32X 7/ 6" FLAT HEAD SOCKET CAP SCREW S.S.	2	2
8-32 MACHINE SCREW NUT Z/P	2	2
COV-STOPPER-HOLE (ALU)	2	2
#8-32 x 1/4" LG. ALLEN SCREW SS	6	6
STOPPER THREADED - BLACK	N/A	2



IMPORTANT
BLACK STOPPERS CANNOT BE REPLACED BY GREY STOPPER.

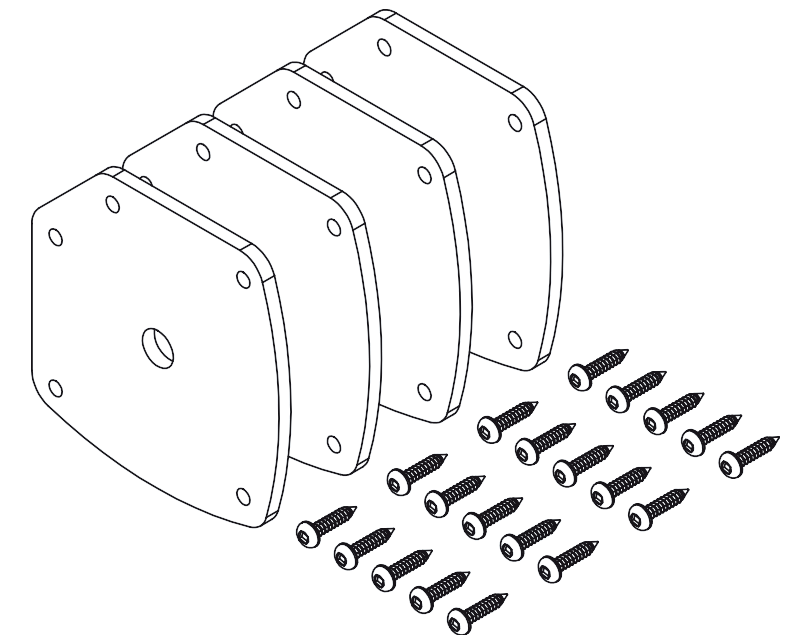
PART NUMBER	
GREY	BLACK
226552	226553

TOP BUSHING PACK	
DESCRIPTION	QTY.
TOP PLATE BUSHING	4
3/8-24x1" BUTTON HEAD SCREW	4



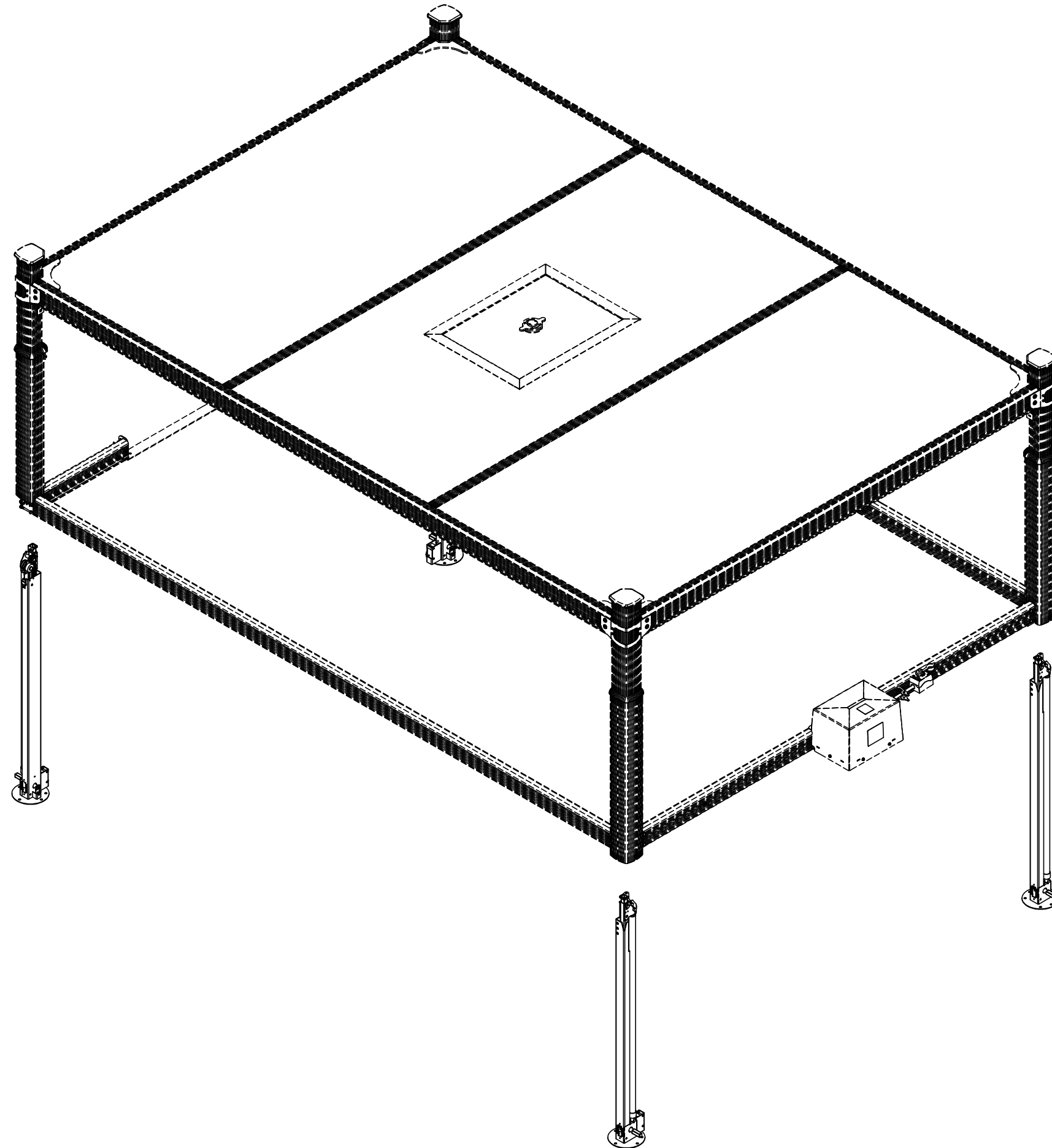
PART NUMBER
226554

VERTICAL POST TOP PLATE PACK	
DESCRIPTION	QTY.
VERTICAL POST TOP PLATE	4
#8 X 3/4"RHSD SLFTP SCREW	20

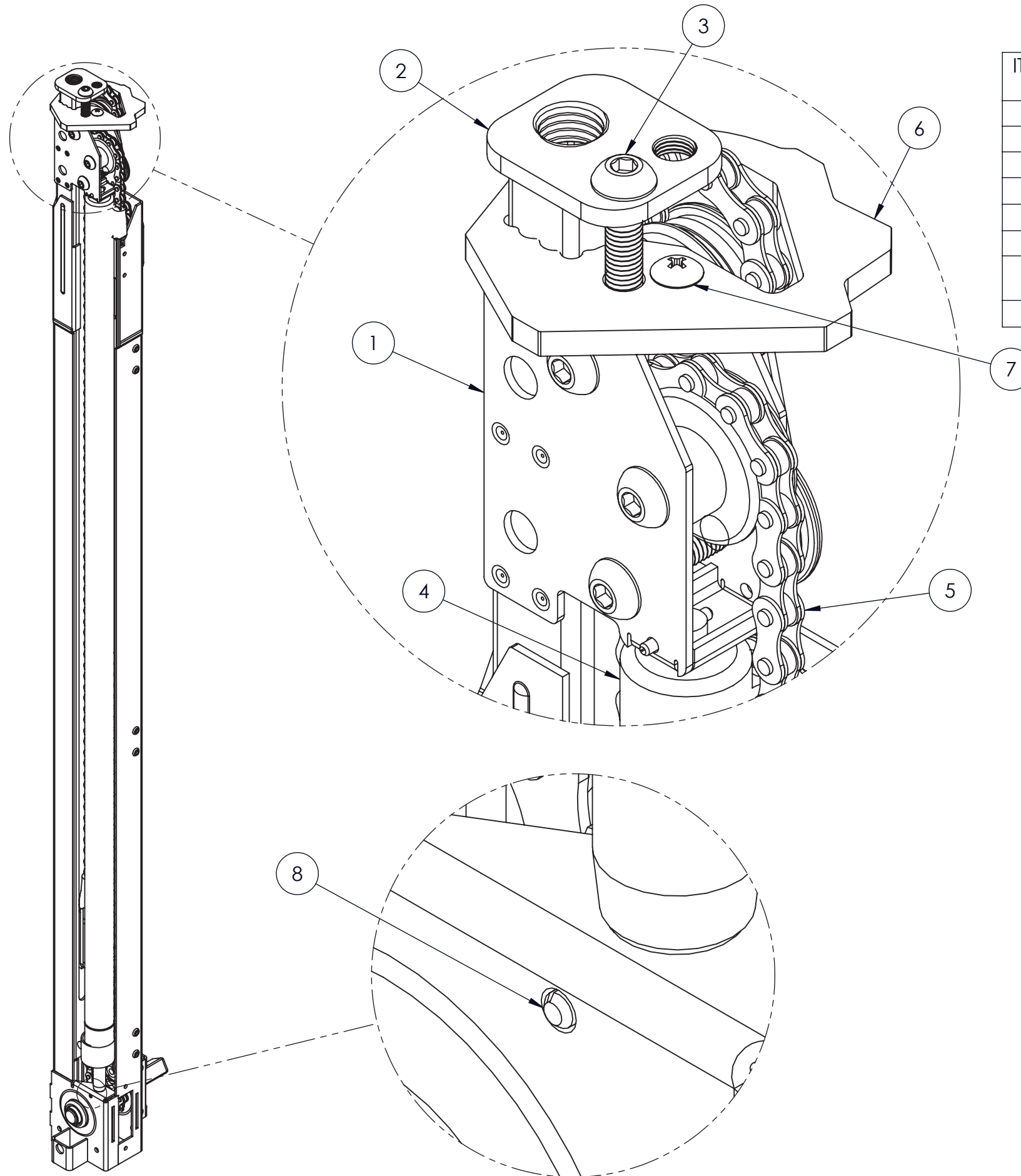


PART NUMBER
226555

SECTION 1.1.2.1 - JACK ASSEMBLY



G3 Jack Assembly

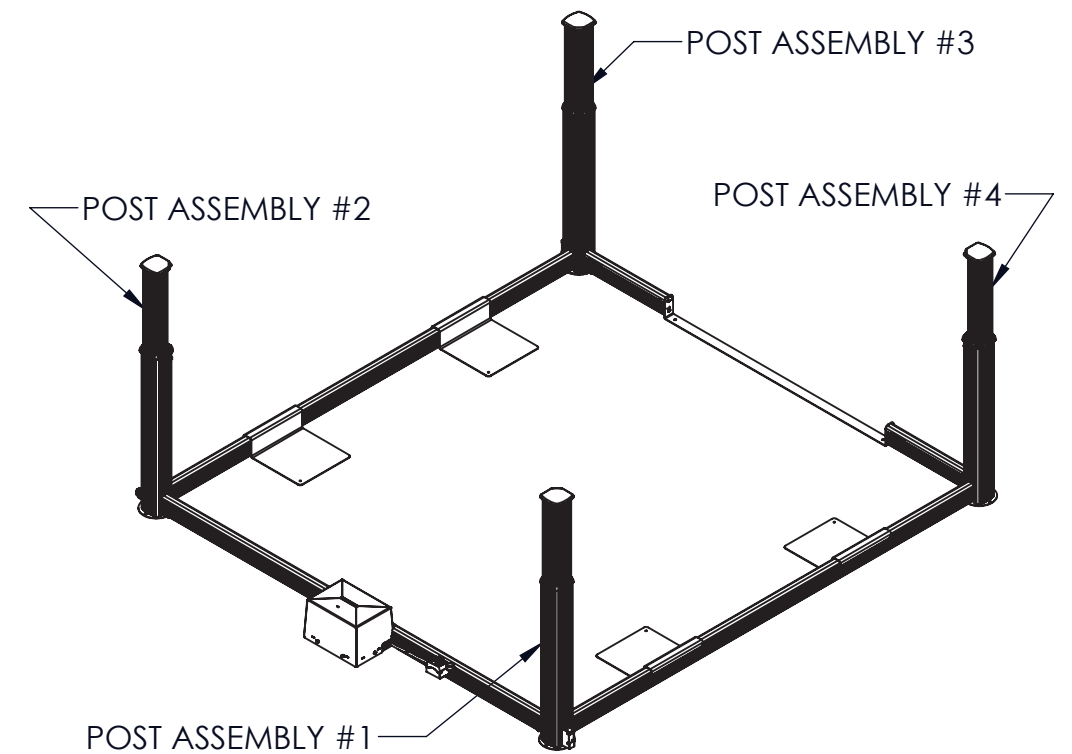


ITEM #	DESCRIPTION	PART NUMBER	CATALOG PAGE
1	G3-1230 MIDDLE TUBE WELDMENTS	SEE G3-1230 MIDDLE TUBE ASSEMBLY	26
2	G3-1230 INNER TUBE WELDMENTS	SEE G3-1230 INNER TUBE ASSEMBLY	27
3	M8-1.25 x 35mm ROUND SOCKET HEAD-Z/P	SEE JACK LOCK BOLT PACK	28
4	GAS SPRING G3-1230 X00N	SEE GAS SPRING PACK	28
5	COV-G3-1230 MIDDLE CHAIN	SEE G3-1230 MIDDLE CHAIN PACK	28
6	COV-GEN-SLEEVE DEFLECTOR	SEE SLEEVE DEFLECTOR PACK	28
7	#10-24x1/2" TRUSS HEAD PHILLIPS THREAD CUTTING SCREW	SEE SLEEVE DEFLECTOR PACK	28
8	2.5mm x 20mm SLOTTED SPRING PIN-B.O.	NOT AVAILABLE	N/A

UPDATED PART MARCH 2020

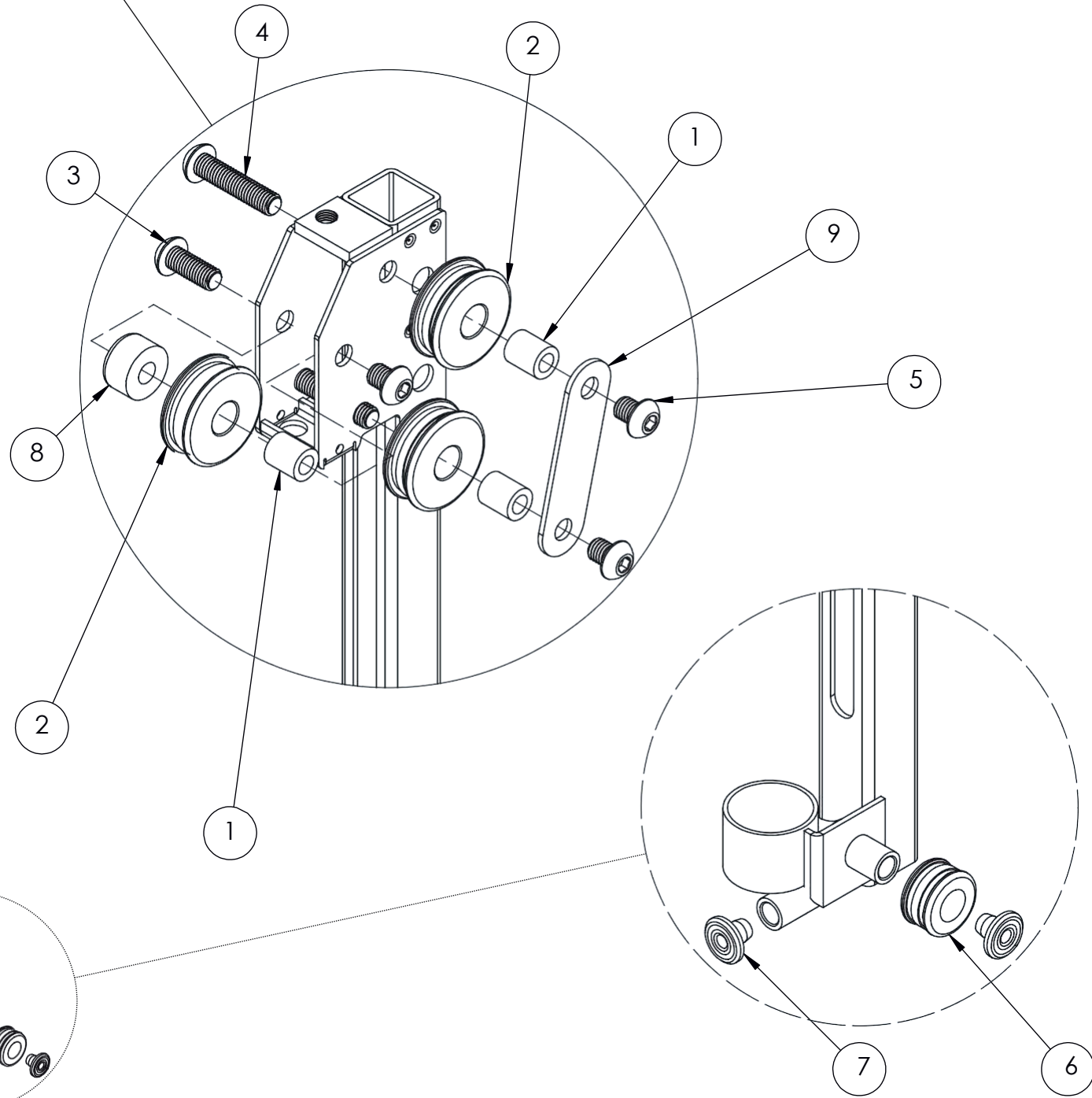
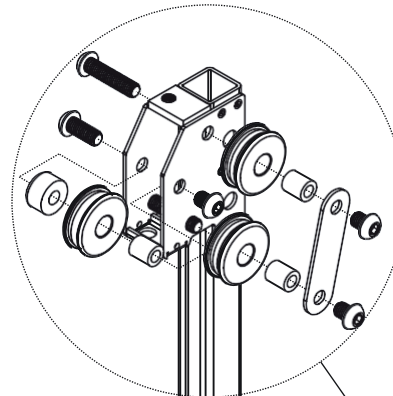
COMPLETE JACK ASSEMBLY (G3)	
POST ASS'Y #1 & 2	POST ASS'Y #3 & 4
233460	234830

POST TYPE



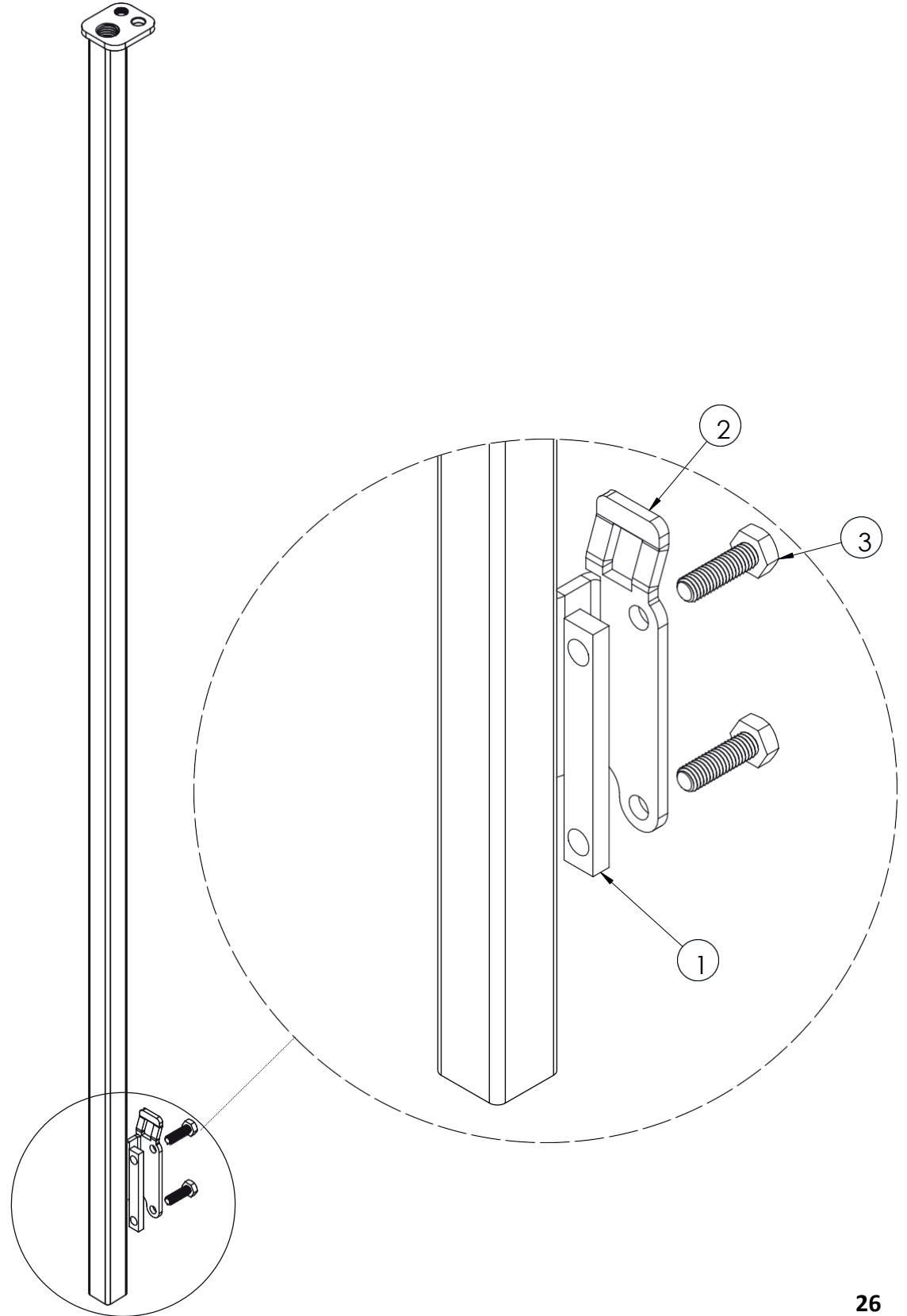
G3-1230 MIDDLE TUBE ASSEMBLY

ITEM #	DESCRIPTION	PART NUMBER	CATALOG PAGE
1	MIDDLE POST TOP IDLER	NOT AVAILABLE	N/A
2	LARGE IDLER UHMW PULLEY	NOT AVAILABLE	N/A
3	M8-1.25 x 20mm ROUND SOCKET HEAD-Z/P	NOT AVAILABLE	N/A
4	M8-1.25 x 35mm ROUND SOCKET HEAD-Z/P	NOT AVAILABLE	N/A
5	M8-1.25 x 10mm ROUND SOCKET HEAD-Z/P	NOT AVAILABLE	N/A
6	UHMW SMALL PULLEY	NOT AVAILABLE	N/A
7	BOTTOM SLIDE PLASTIC BUTTON	NOT AVAILABLE	N/A
8	MIDDLE POST TOP IDLER SPACER	NOT AVAILABLE	N/A
9	TOP SUPPORT BRACKET	NOT AVAILABLE	N/A

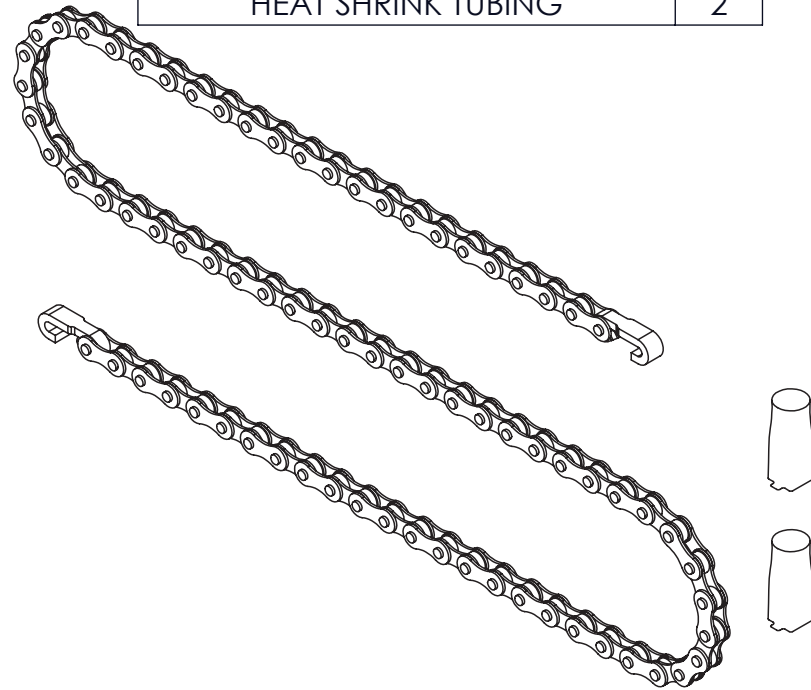


G3-1230 INNER TUBE ASSEMBLY

ITEM #	DESCRIPTION	PART NUMBER	CATALOG PAGE
1	CHAIN HOLDER SPACER	NOT AVAILABLE	N/A
2	CHAIN HOLDER WELDMENT	NOT AVAILABLE	N/A
3	M6 HEX CAP SCREW	NOT AVAILABLE	N/A



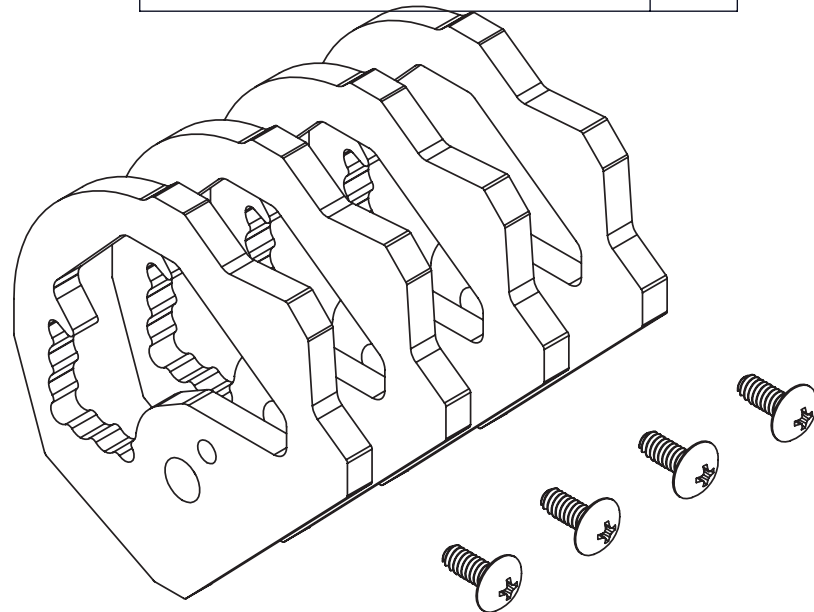
G3-1230 MIDDLE CHAIN PACK	
DESCRIPTION	QTY.
COV-GEN-G3-1230 MIDDLE CHAIN	1
HEAT SHRINK TUBING	2



For unit with s/# after 1903A0269/1903C0013 or replacement Jack

PART NUMBER
233456

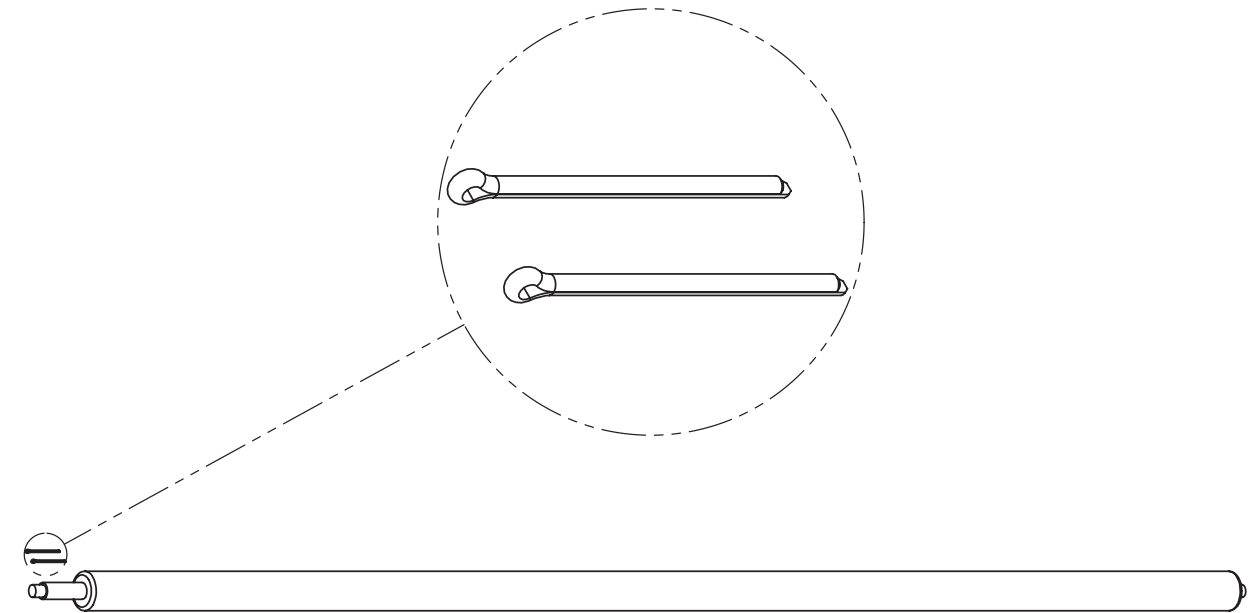
SLEEVE DEFLECTOR PACK	
DESCRIPTION	QTY.
#10-24x1/2" TRUSS HEAD PHILLIPS THREAD CUTTING SCREW	4
COV-GEN-SLEEVE DEFLECTOR	4



For unit with s/# after 1903A0269/1903C0013 or replacement Jack

PART NUMBER
233461

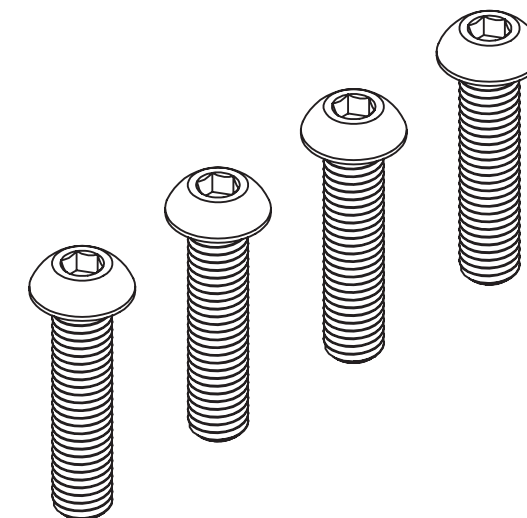
GAS SPRING PACK	
DESCRIPTION	QTY.
GAS SPRING	1
5/64" X 3/4" COTTER PIN (Z/P)	2



For unit with s/# after 1903A0269/1903C0013 or replacement Jack

PART NUMBER G3
233276

JACK LOCK BOLT PACK	
DESCRIPTION	QTY.
M8-1.25 x 35mm ROUND SOCKET HEAD-Z/P	4



For unit with s/# after 1903A0269/1903C0013 or replacement Jack

PART NUMBER
233458

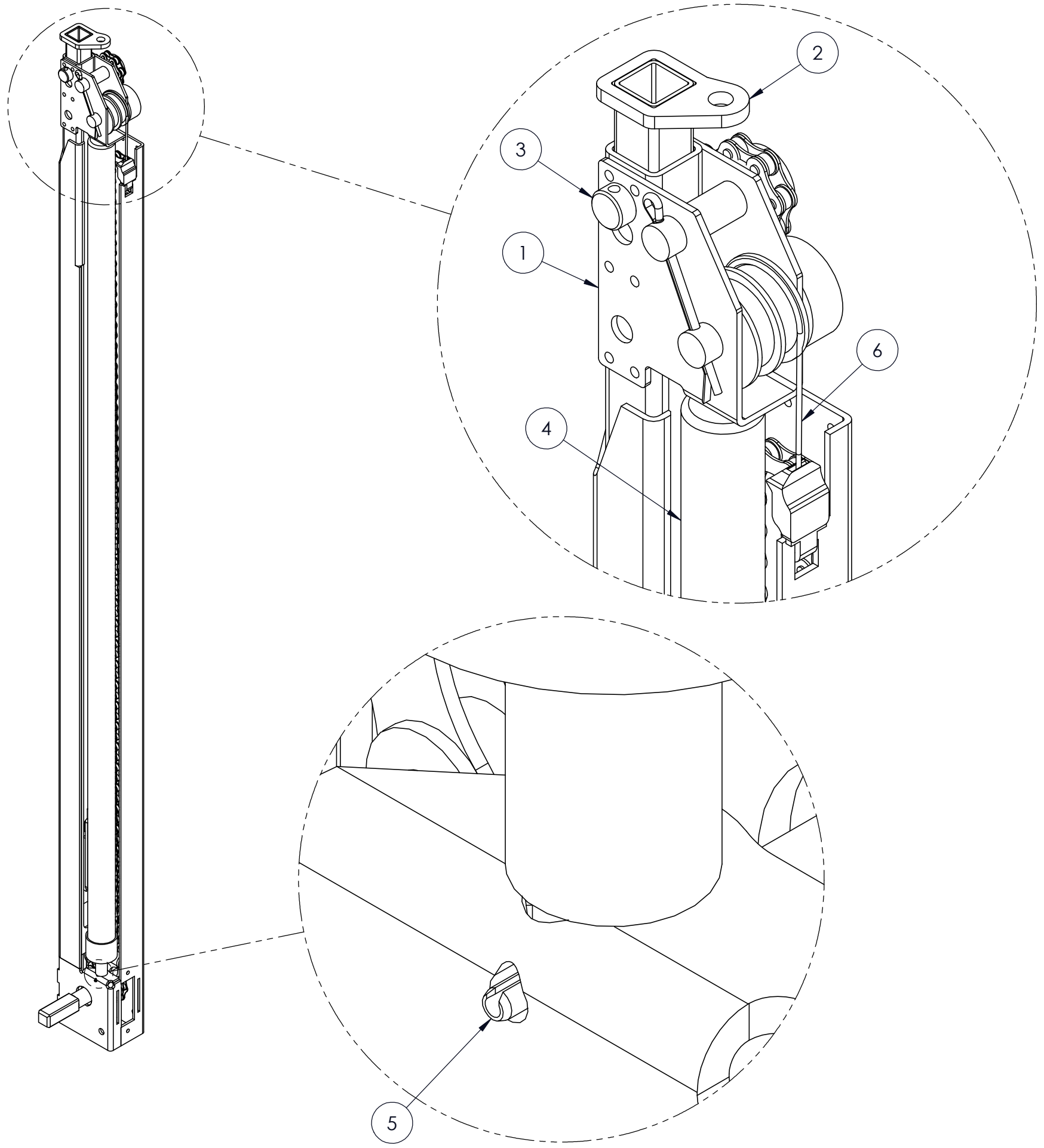
G2 JACK ASSEMBLY

ITEM #	DESCRIPTION	PART NUMBER	CATALOG PAGE
1	MIDDLE TUBE ASS'Y	SEE MIDDLE TUBE PACK	-
2	INTERNAL TUBE	SEE INTERNAL TUBE PACK	-
3	PIN 6mm x 41mm LG.	NOT AVAILABLE	-
4	GAS SPRING	SEE GAS SPRING PACK	30
5	SPRING PIN 2mm x 12mm LG.	SEE GAS SPRING PACK	30
6	L CABLE	SEE CABLE PACK	30

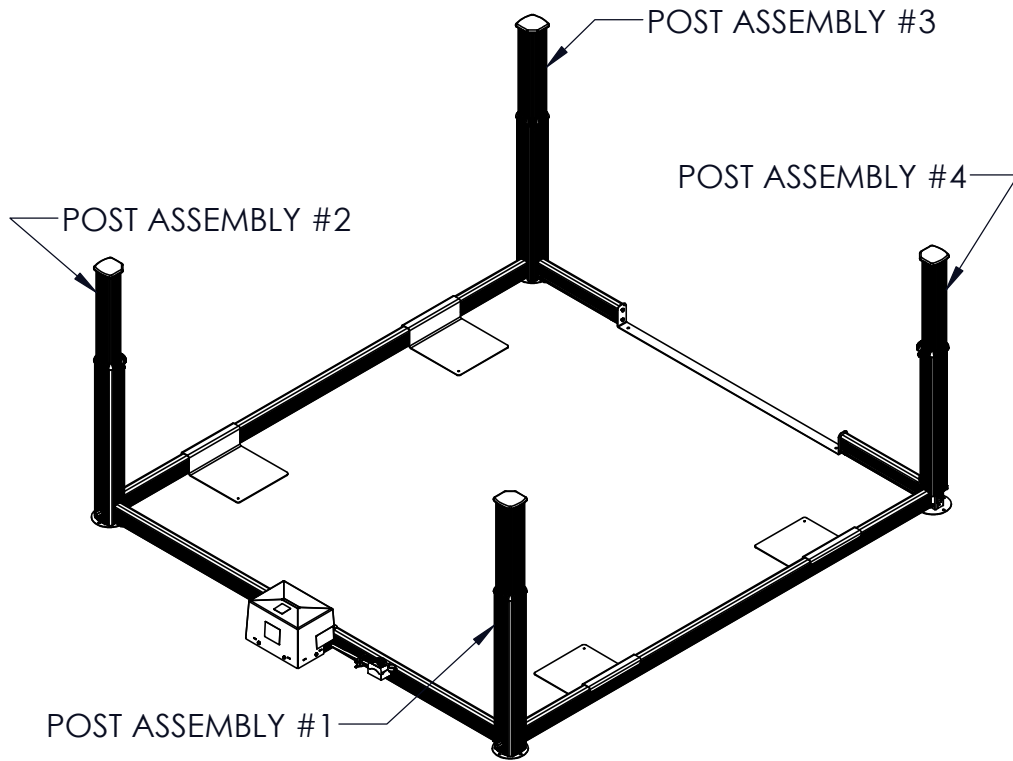
NOW REPLACED BY G3 JACK ASS'Y

COMPLETE JACK ASSEMBLY - G2	
POST ASS'Y #1 & 2 SEE PAGE 25	POST ASS'Y #3 & 4 SEE PAGE 25

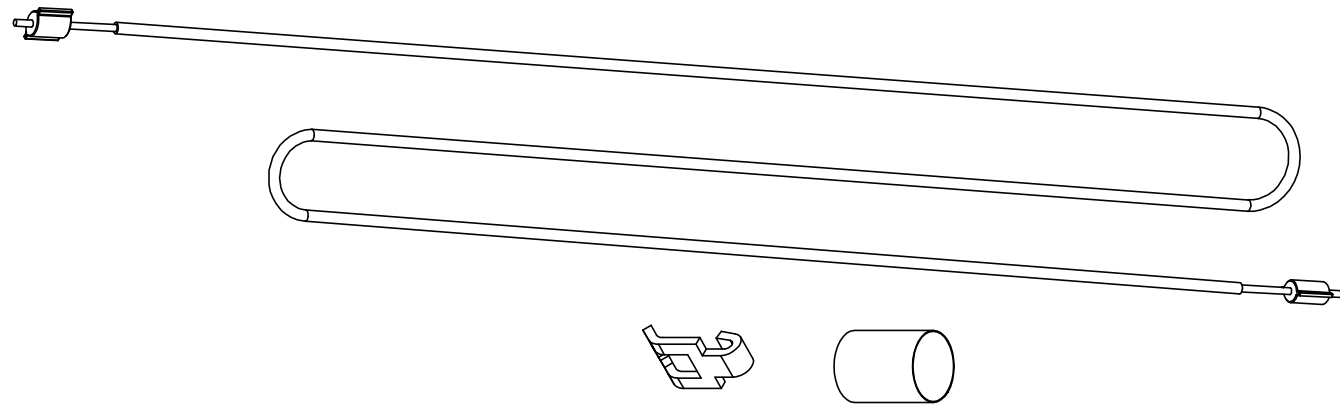
For unit with s/# prior 1903A0269/1903C0013



POST TYPE



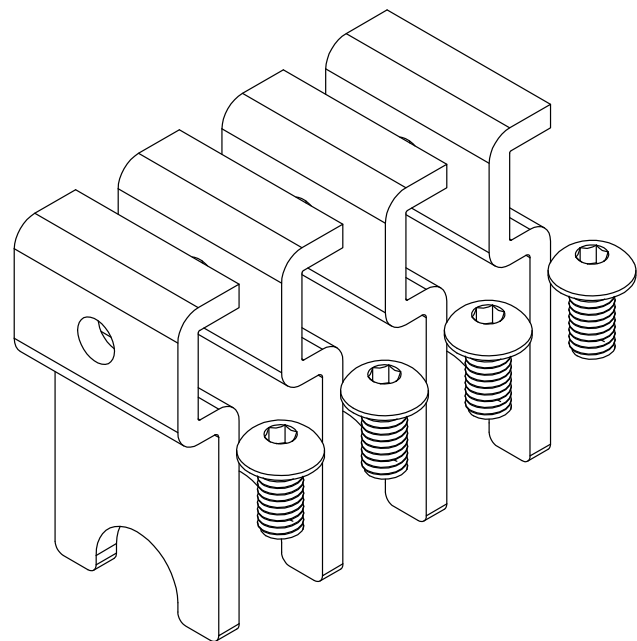
G2 CABLE PACK	
DESCRIPTION	QTY.
CABLE	1
CABLE HOOK	1
HEAT SHRINK TUBE	1



For unit with s/# prior 1903A0269/1903C0013

PART NUMBER
222106

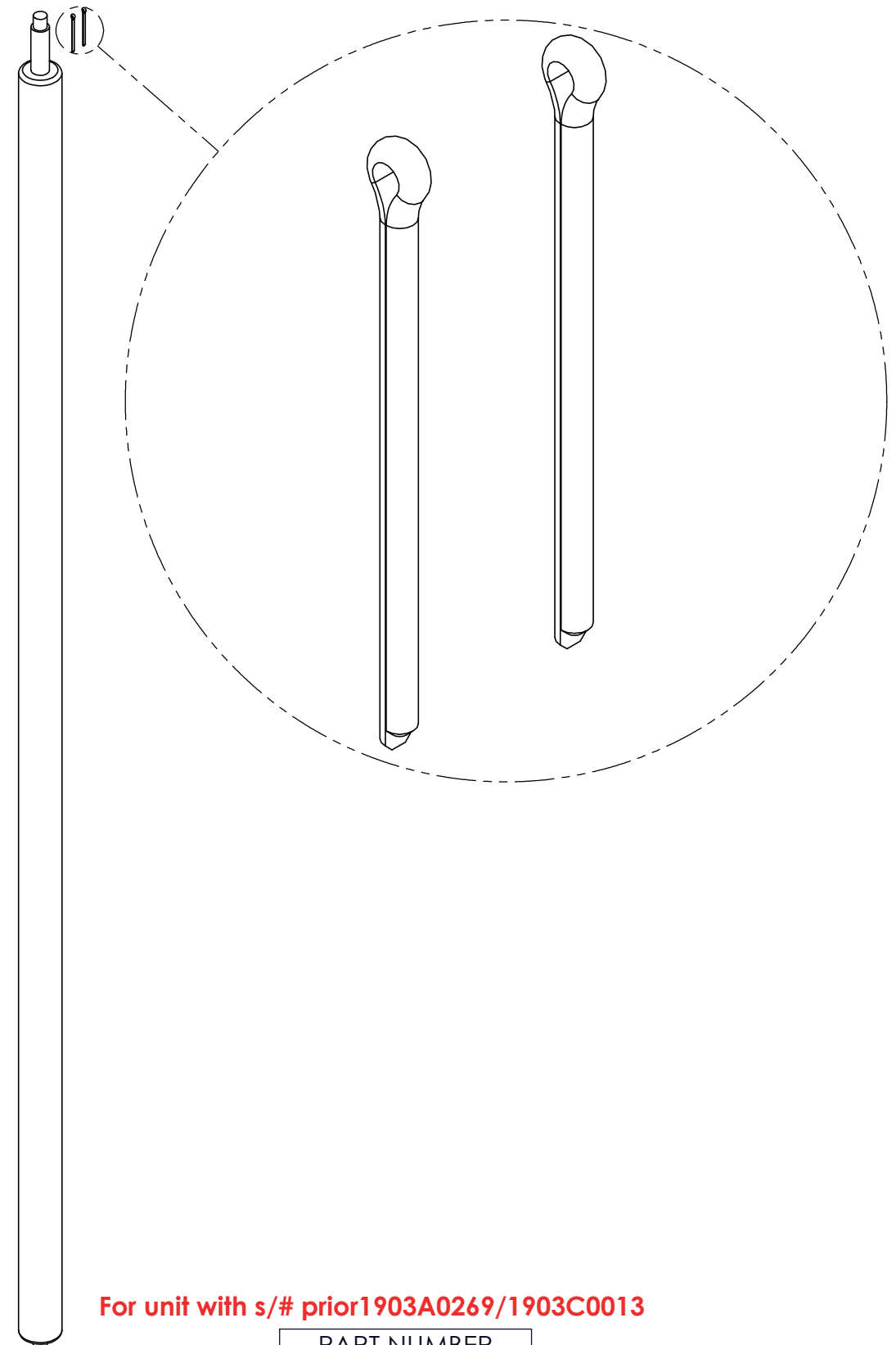
SHAFT LOCK PACK	
DESCRIPTION	QTY.
SHAFT LOCK BRACKET	4
M4 8MM LG. BUTTON HEAD SCREW	4



For unit with s/# prior 1903A0269/1903C0013

PART NUMBER
226551

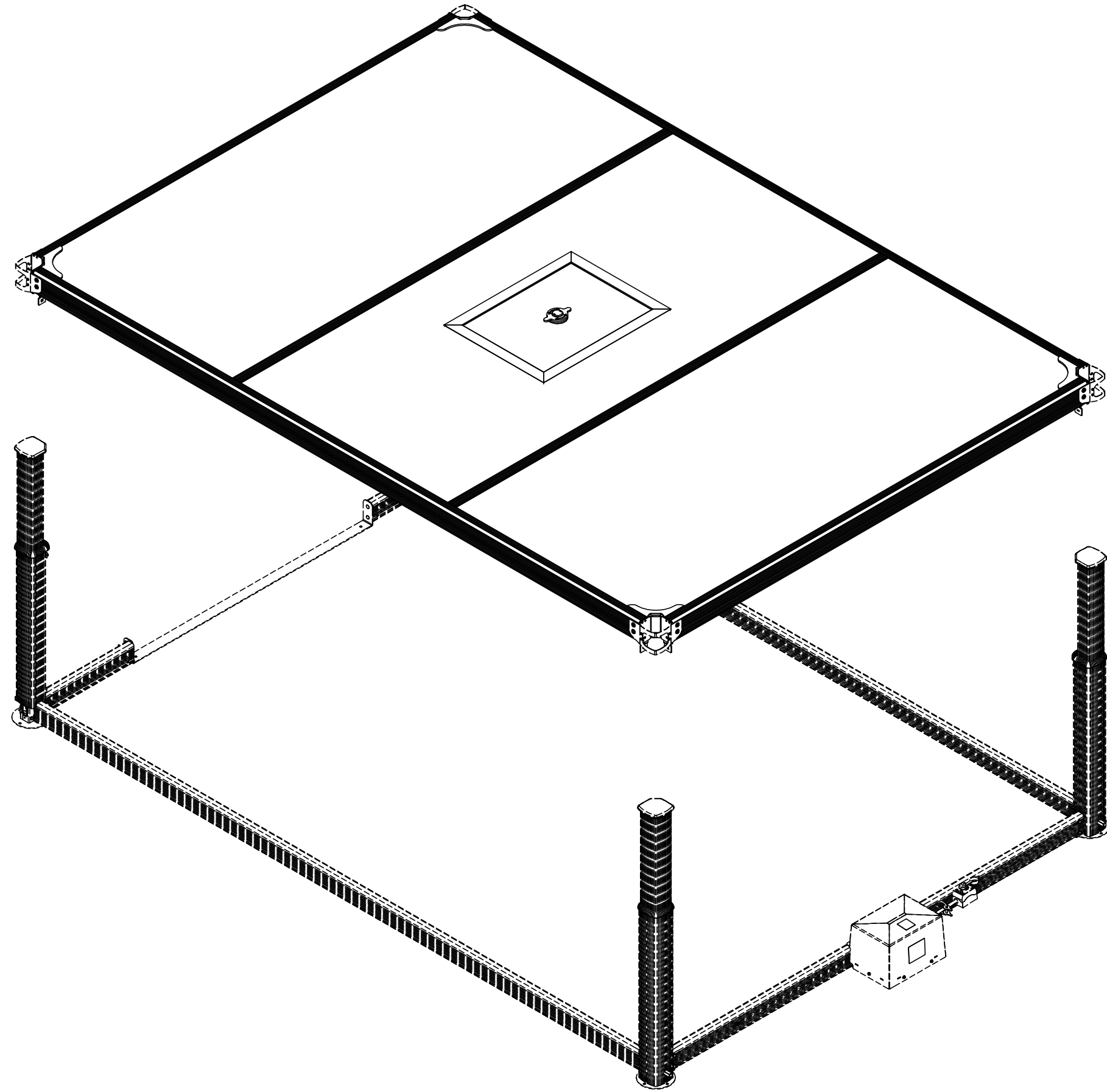
G2 GAS SPRING PACK	
DESCRIPTION	QTY.
GAS SPRING	1
5/64" X 3/4" COTTER PIN (Z/P)	2



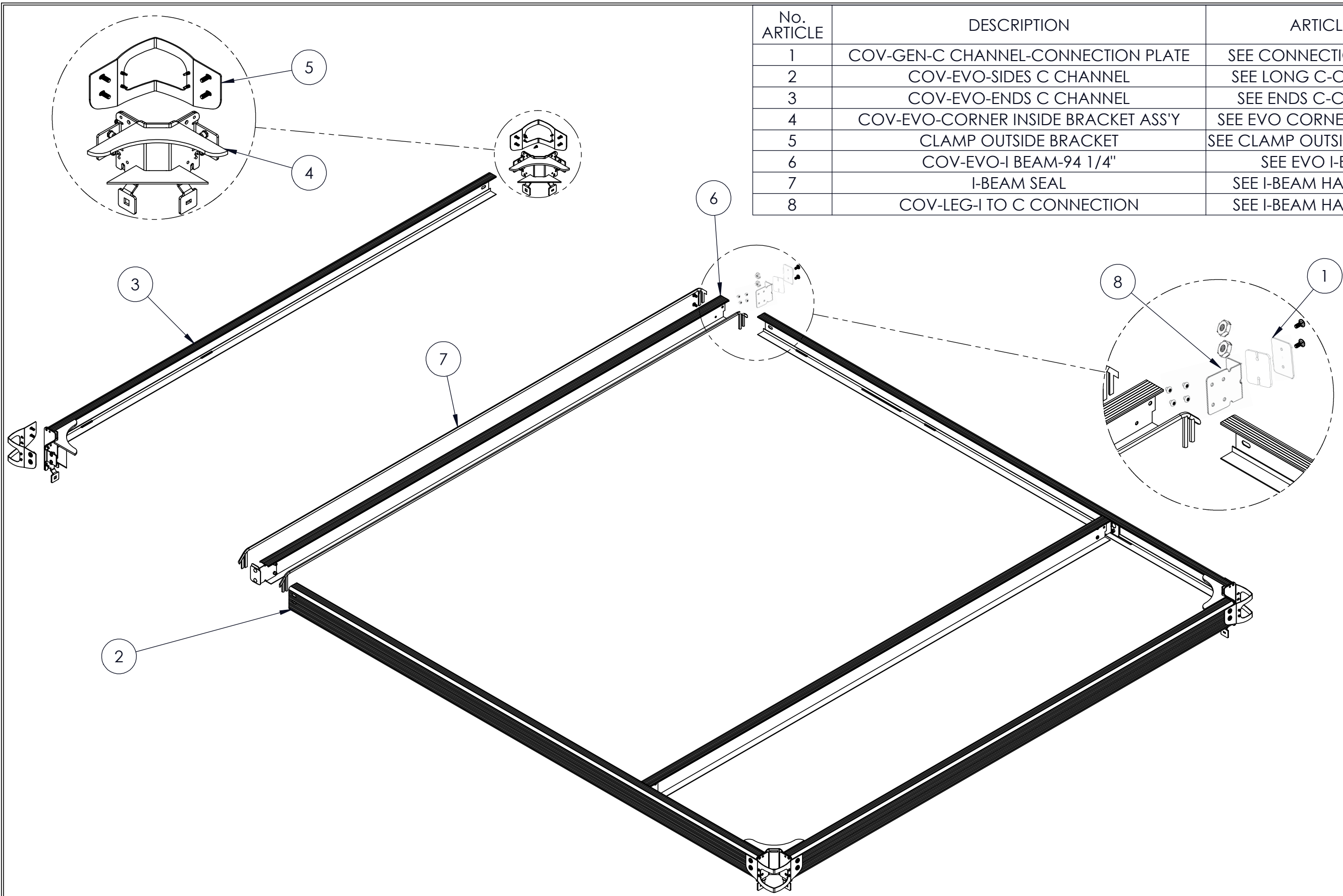
For unit with s/# prior 1903A0269/1903C0013

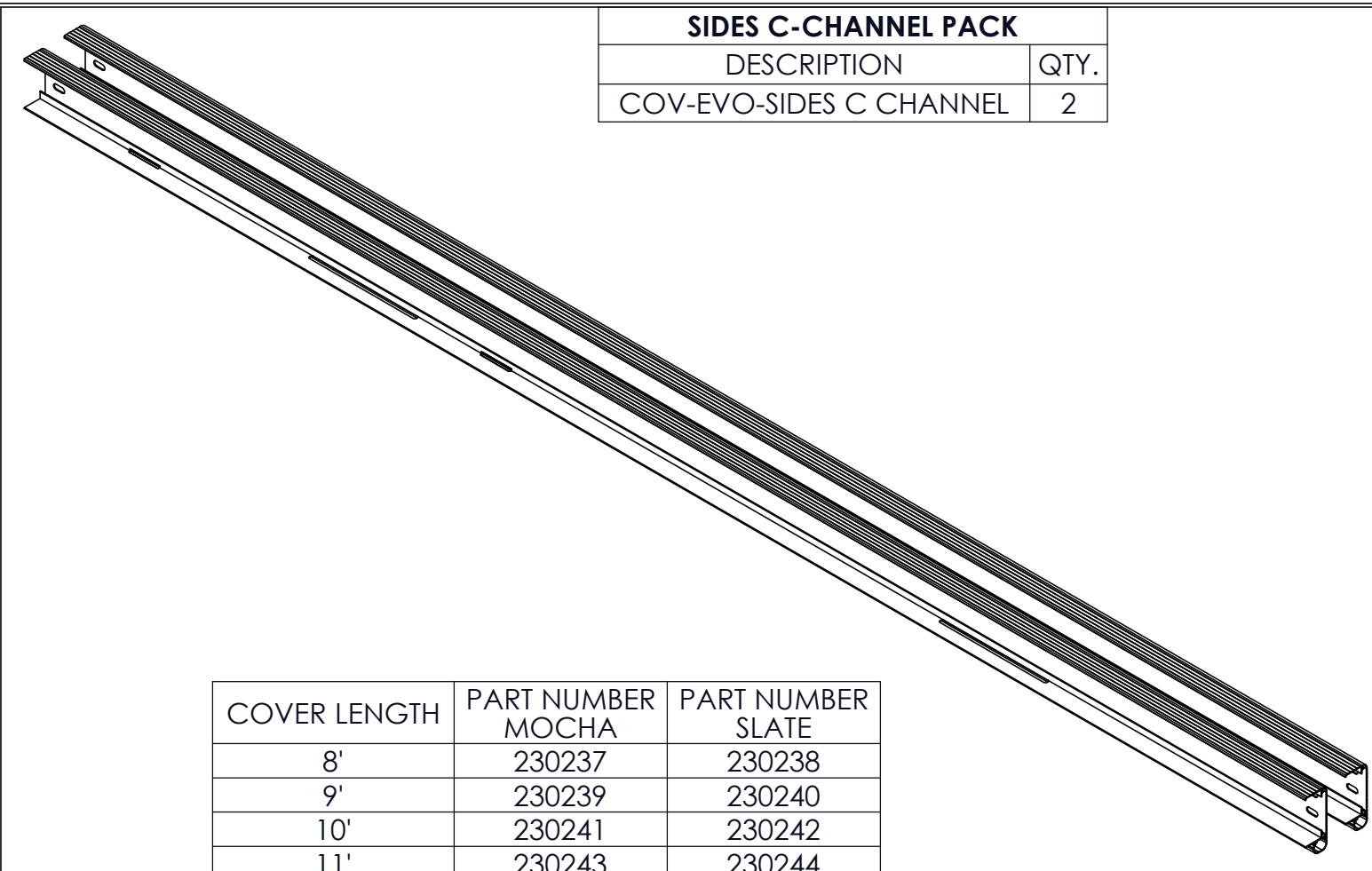
PART NUMBER
226557

SECTION 2 - COVER



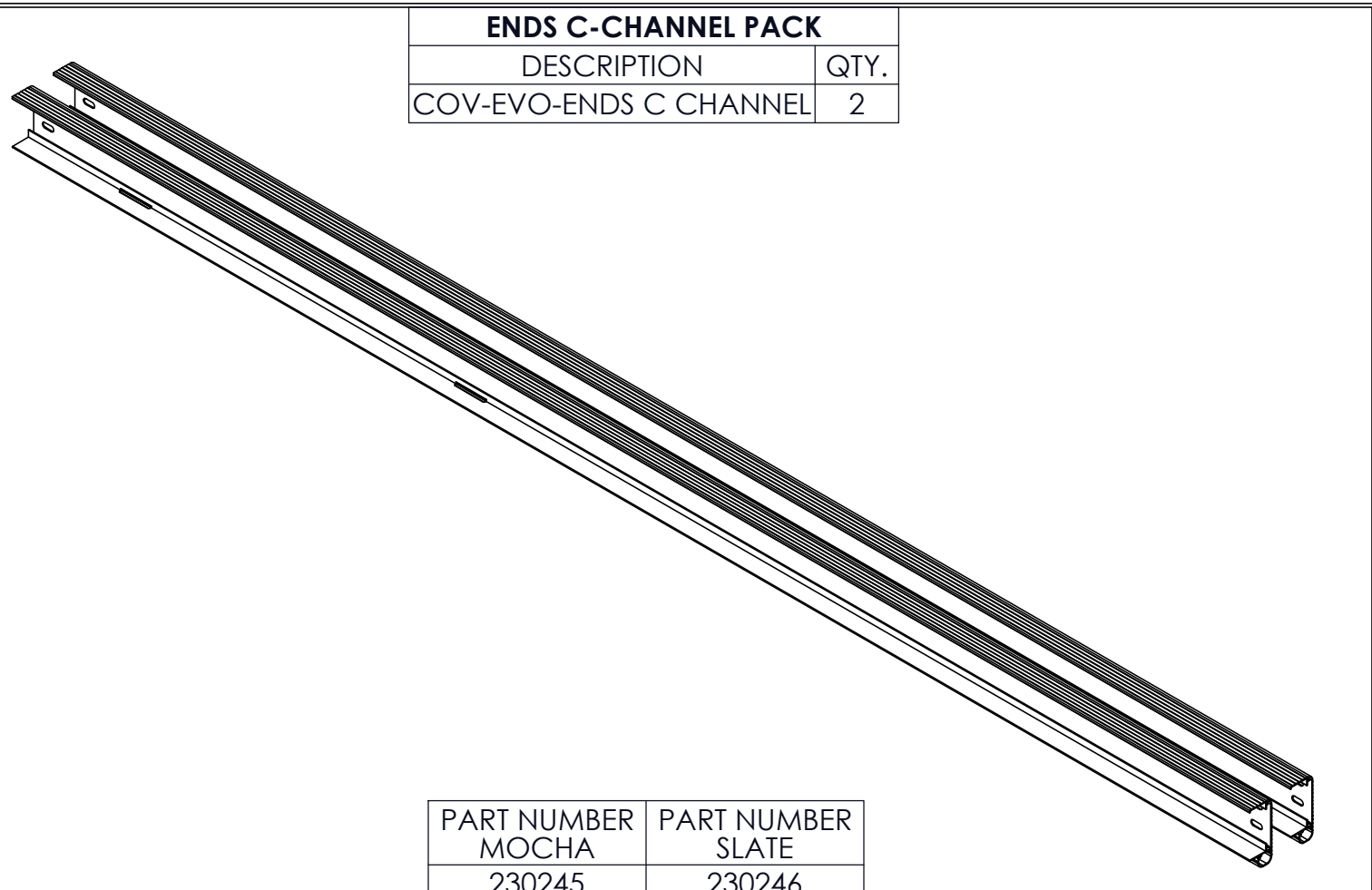
No. ARTICLE	DESCRIPTION	ARTICLE CODE	CATALOG PAGE
1	COV-GEN-C CHANNEL-CONNECTION PLATE	SEE CONNECTION PLATE PACK	31
2	COV-EVO-SIDES C CHANNEL	SEE LONG C-CHANNEL PACK	31
3	COV-EVO-ENDS C CHANNEL	SEE ENDS C-CHANNEL PACK	31
4	COV-EVO-CORNER INSIDE BRACKET ASS'Y	SEE EVO CORNER BRACKET PACK	31
5	CLAMP OUTSIDE BRACKET	SEE CLAMP OUTSIDE BRACKET PACK	31
6	COV-EVO-I BEAM-94 1/4"	SEE EVO I-BEAM PACK	32
7	I-BEAM SEAL	SEE I-BEAM HARDWARE PACK	32
8	COV-LEG-I TO C CONNECTION	SEE I-BEAM HARDWARE PACK	32





SIDES C-CHANNEL PACK	
DESCRIPTION	QTY.
COV-EVO-SIDES C CHANNEL	2

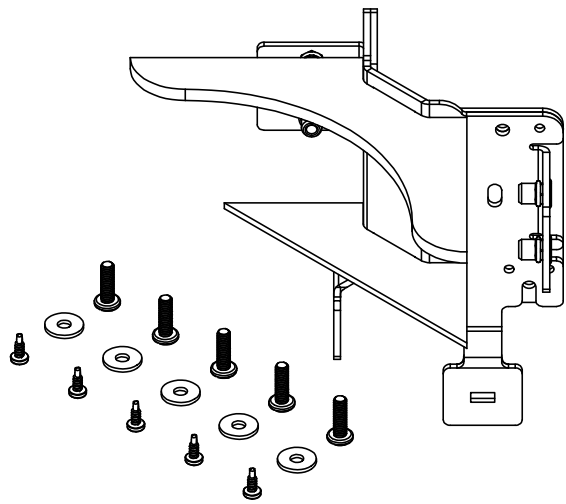
COVER LENGTH	PART NUMBER MOCHA	PART NUMBER SLATE
8'	230237	230238
9'	230239	230240
10'	230241	230242
11'	230243	230244



ENDS C-CHANNEL PACK	
DESCRIPTION	QTY.
COV-EVO-ENDS C CHANNEL	2

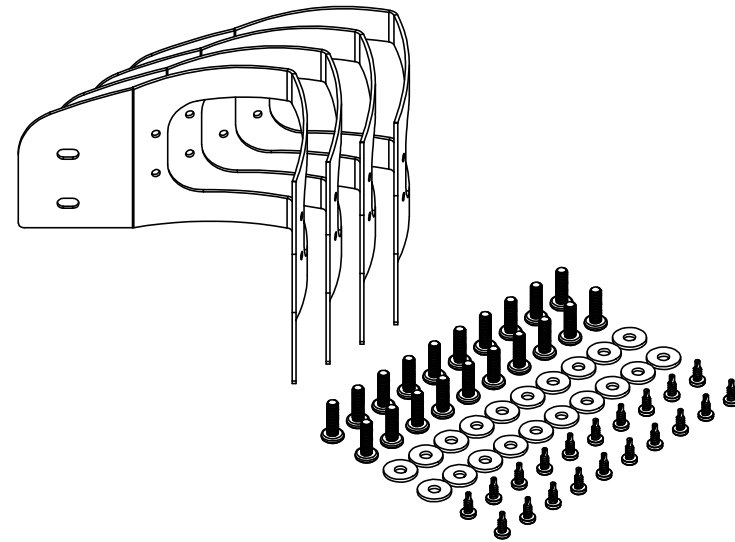
PART NUMBER MOCHA	PART NUMBER SLATE
230245	230246

CORNER INSIDE BRACKET-GEN2 PACK	
DESCRIPTION	QTY.
COV-EVO-CORNER INSIDE BRACKET ASS'Y	1
M6-1x20MM PHILIPS PAN HEAD	5
STEEL WASHER 5/16" (Z/P)	5
#8 x 1/2" LG. SELF DRILLING SCREW	5

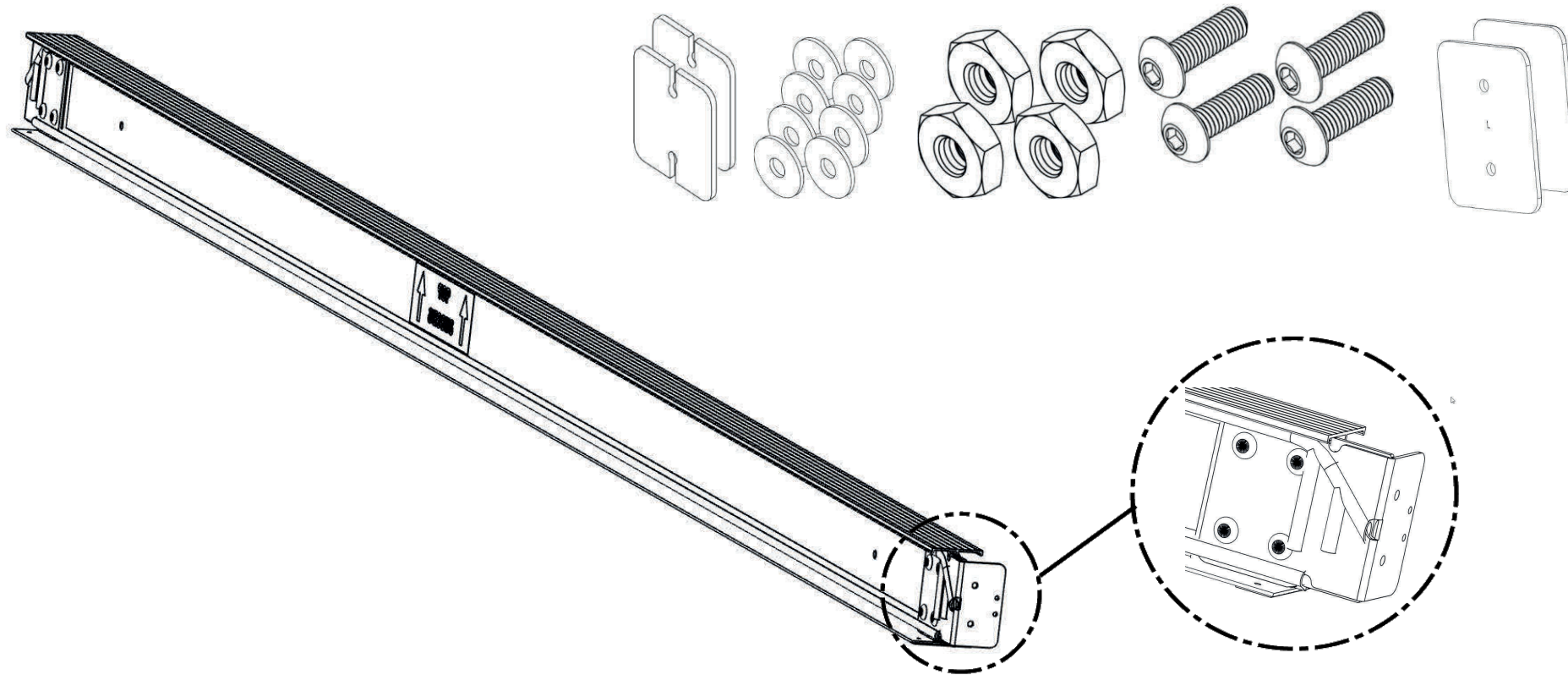


PART NUMBER MOCHA	PART NUMBER SLATE
230247	230248

CLAMP OUTSIDE BRACKET PACK	
DESCRIPTION	QTY.
CLAMP OUTSIDE BRACKET	4
STEEL WASHER 5/16" (Z/P)	20
M6-1x20MM PHILIPS PAN HEAD	20
#8 x 1/2" LG. SELF DRILLING SCREW	20



PART NUMBER MOCHA	PART NUMBER SLATE
225609	225610

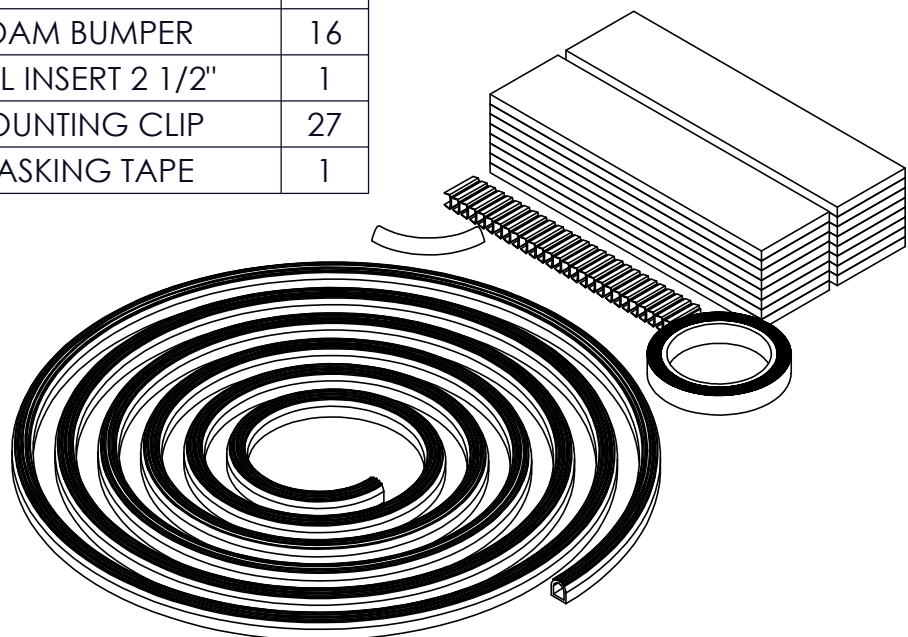


I-BEAM PACK W/ SHORT CONNECTION PLATE	
DESCRIPTION	QTY.
COV-EVO-I BEAM-94 1/8"	1
ALUMINIUM RIVET	8
COV-GEN-I BEAM- WIPER SUPPORT	2
COV-LEG-11" C-CHANNEL CONNECTION PLATE V2	2
COV-GEN-I TO C-CONNECTION-SPACER LONG PLATE	2
FLAT WASHER 5/8 O.D. FOR #10 SCREWS	8
10-32-5/8 LOW PROFILE SOCKET SCREW	4
10-32 HEX NUT Z/P	8
COV-GEN-SEAL "D" PROFILE	17.5

UPDATED PART MAY 2021

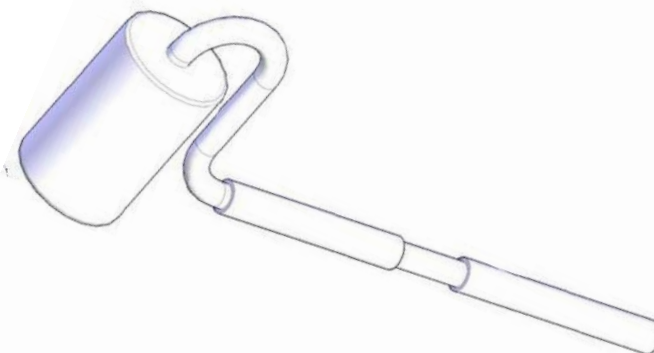
PART NUMBER WHITE	PART NUMBER LATTE	PART NUMBER PLATINUM
244280	244281	244281

COVER SEAL PACK	
DESCRIPTION	QTY.
SEAL 1" PROFILE 2828W	1
FOAM BUMPER	16
SEAL INSERT 2 1/2"	1
MOUNTING CLIP	27
MASKING TAPE	1



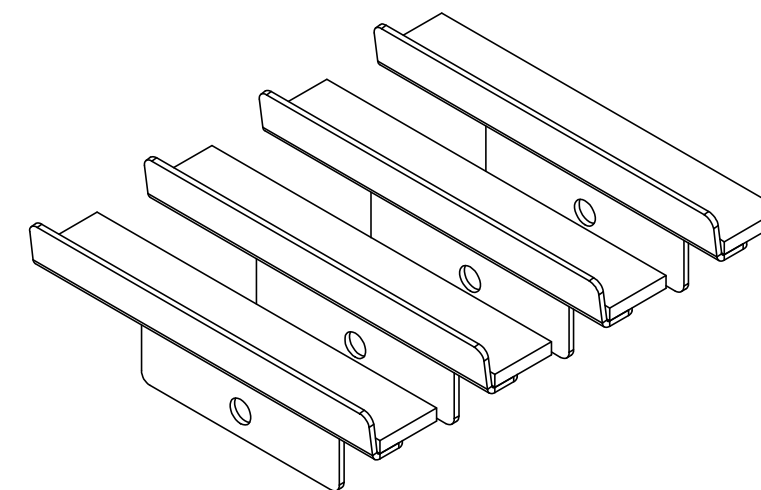
COVER LENGTH	PART NUMBER
8'	226566
9'	230252
10'	230253
11'	230254

STANDARD J ROLLER JR-10L	
DESCRIPTION	QTY.
J-ROLLER	1



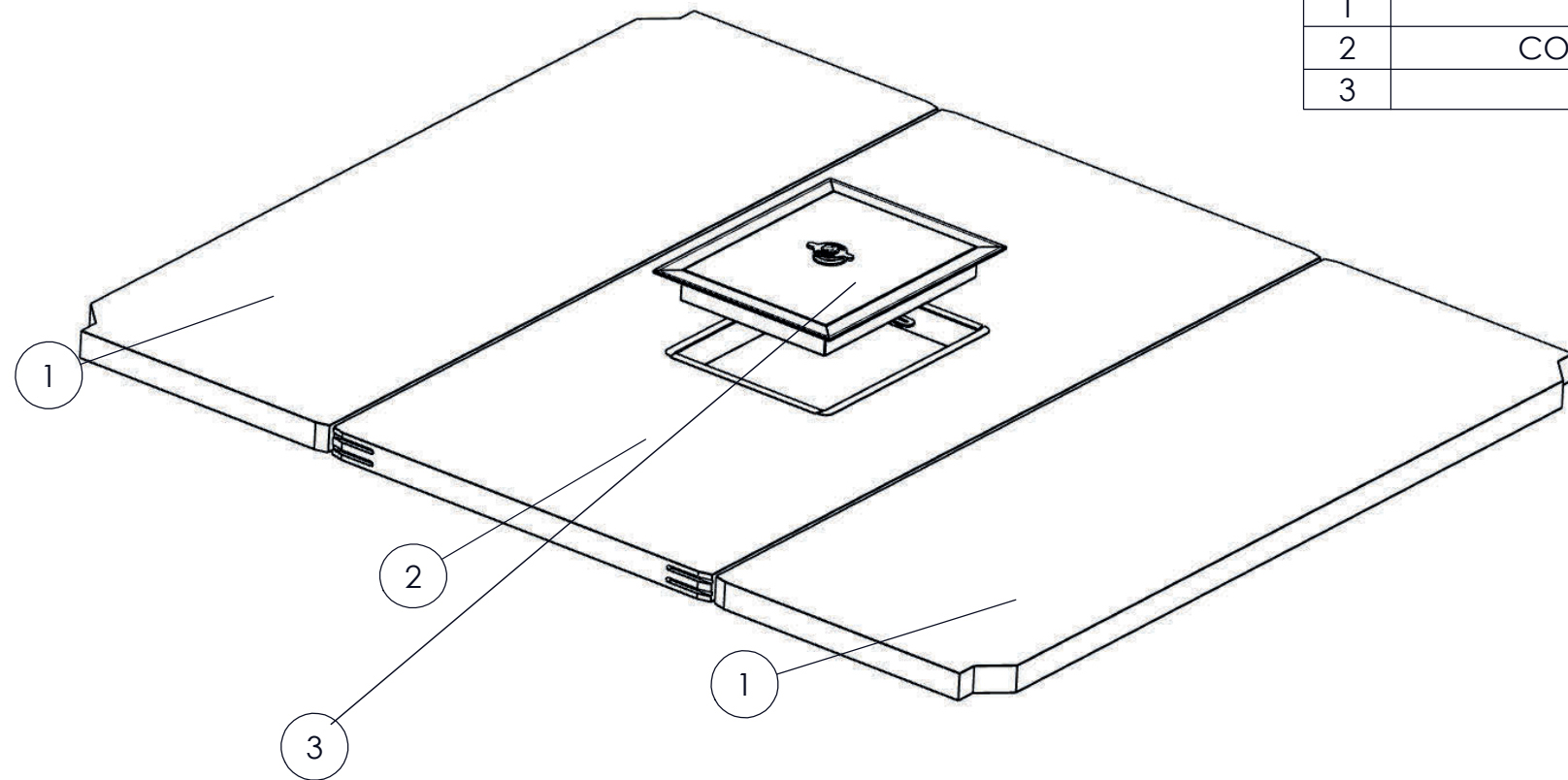
PART NUMBER
242084

WIPER SUPPORT BRACKET PACK	
DESCRIPTION	QTY.
COV-GEN-I BEAM-WIPER-SUPPORT	4

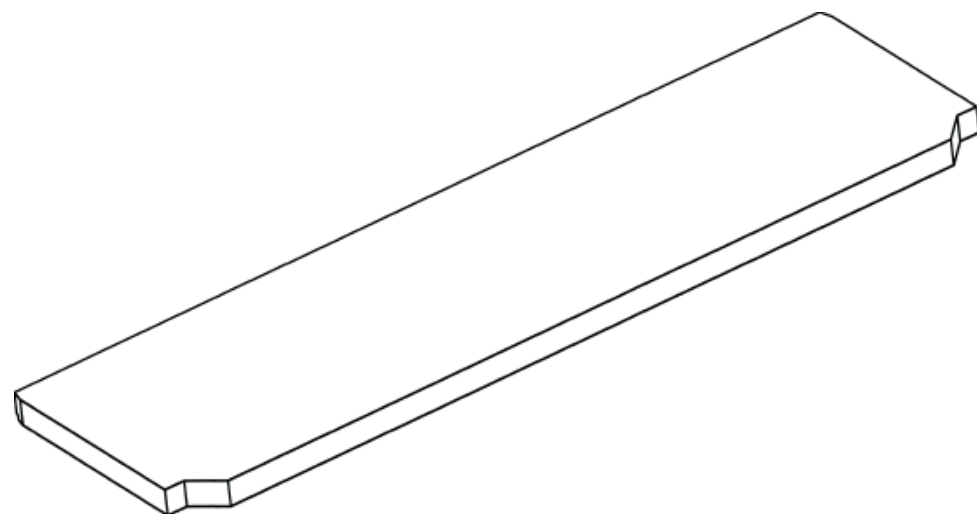


PART NUMBER WHITE	PART NUMBER LATTE	PART NUMBER PLATINUM
226724	230367	230369

ITEM #	DESCRIPTION	ARTICLE CODE	CATALOG PAGE
1	COV-EVO-PANEL-EDGE	SEE PANEL PACK #1	34
2	COV-EXTRA PANEL W/HATCH HOLE	SEE PANEL PACK #2	34
3	ESCAPE HATCH DOOR	SEE ESCAPE HATCH PACK	34



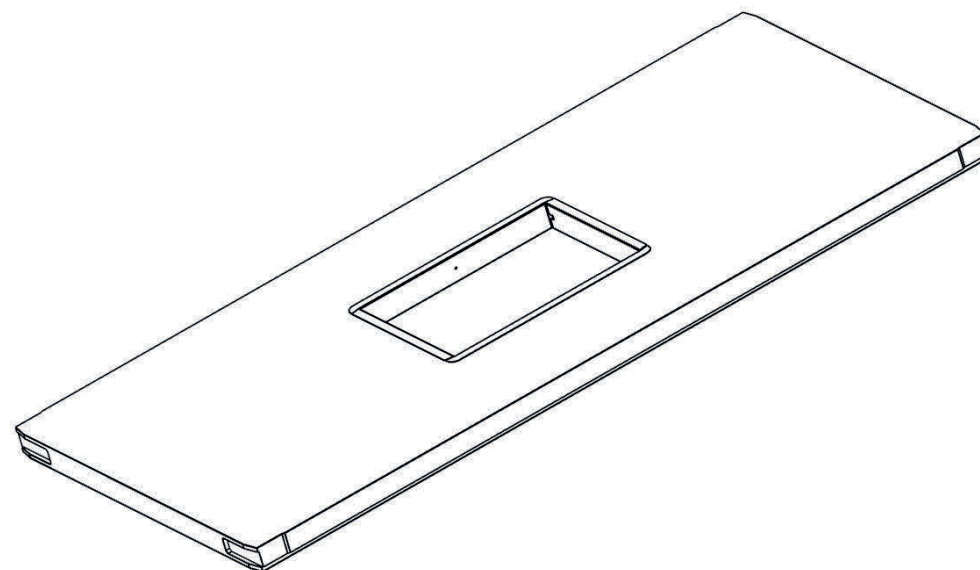
PANEL PACK #1	
DESCRIPTION	QTY.
COV-EXTRA PANEL WITH HATCH FRAME	1



UPDATED PART SEPTEMBER 2020

COVER LENGTH	PART NUMBER WHITE/WHITE	PART NUMBER LATTE/WHITE	PART NUMBER PLATINUM/WHITE
8'	239546	239544	239545
9'	239549	239547	239548
10'	239552	239550	239551
11'	239555	239553	239554

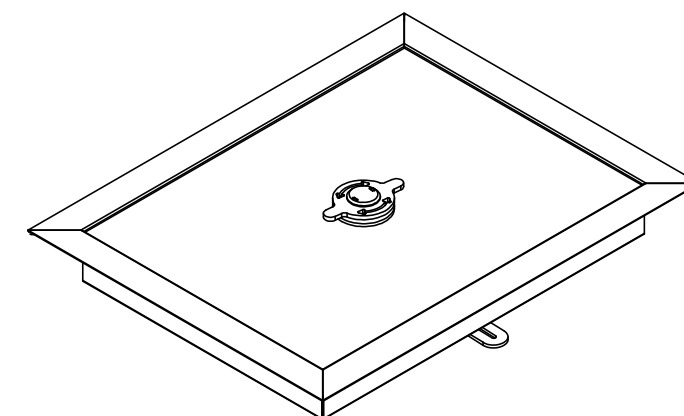
PANEL PACK #2	
DESCRIPTION	QTY.
COV-CS1000-PANEL 46.75"X96" W/ESCAPE HATCH FRAME	1



UPDATED PART JANUARY 2022

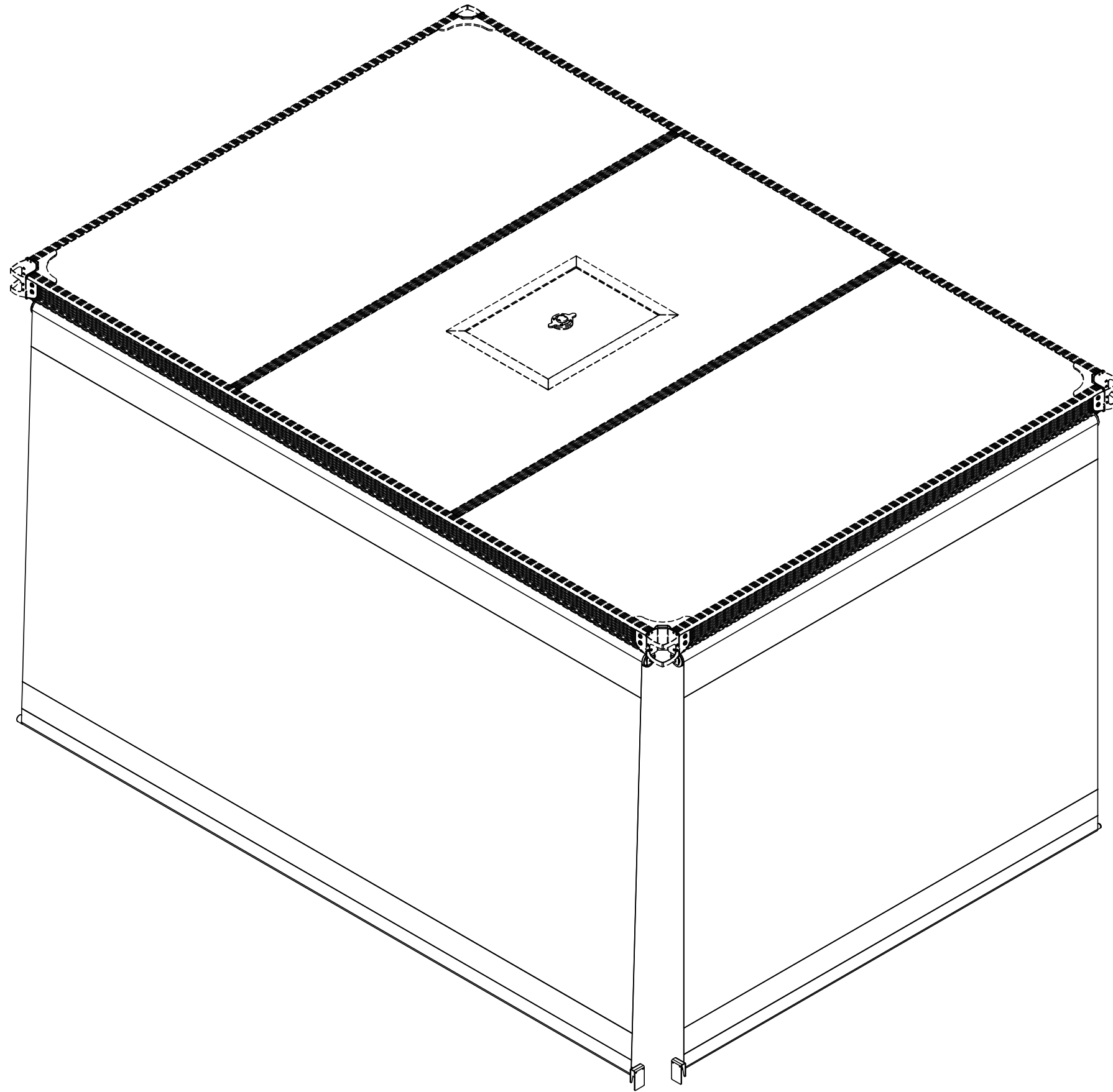
PART NUMBER WHITE/WHITE	PART NUMBER LATTE/WHITE	PART NUMBER PLATINUM/WHITE
209323	225879	225880

ESCAPE HATCH PACK	
DESCRIPTION	QTY.
COV-GEN-ESCAPE HATCH DOOR	1

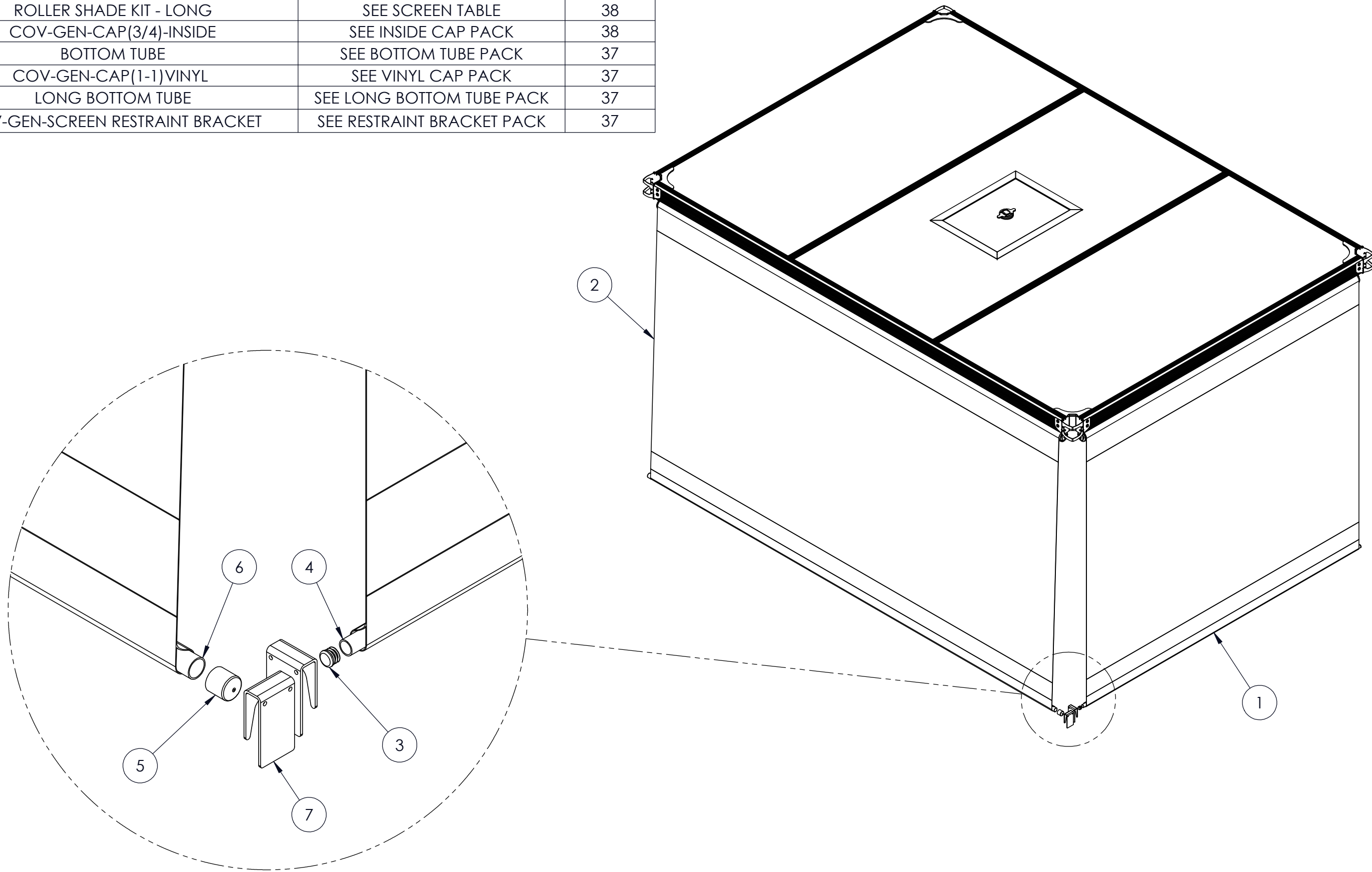


PART NUMBER WHITE/WHITE	PART NUMBER LATTE/WHITE	PART NUMBER PLATINUM/WHITE
209247	225897	225896

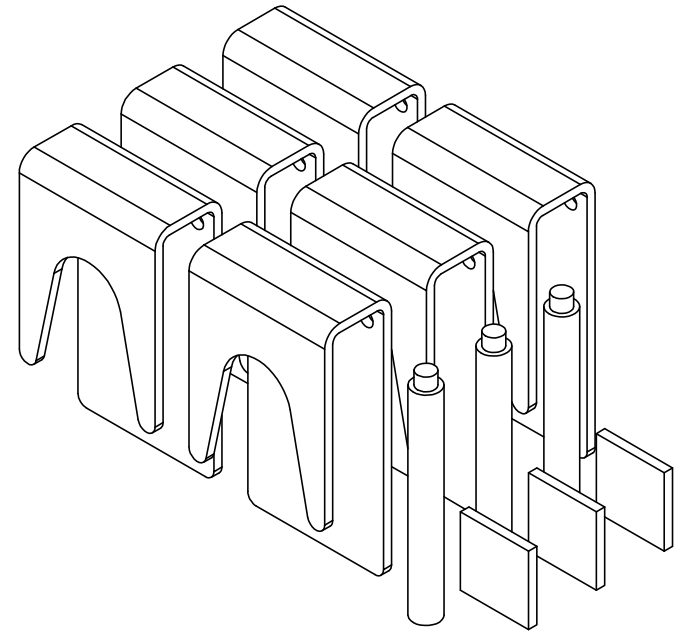
SECTION 3 - ROLLER SHADES



No. ARTICLE	DESCRIPTION	ARTICLE CODE	CATALOG PAGE
1	ROLLER SHADE KIT - SHORT	SEE SCREEN TABLE	38
2	ROLLER SHADE KIT - LONG	SEE SCREEN TABLE	38
3	COV-GEN-CAP(3/4)-INSIDE	SEE INSIDE CAP PACK	38
4	BOTTOM TUBE	SEE BOTTOM TUBE PACK	37
5	COV-GEN-CAP(1-1)VINYL	SEE VINYL CAP PACK	37
6	LONG BOTTOM TUBE	SEE LONG BOTTOM TUBE PACK	37
7	COV-GEN-SCREEN RESTRAINT BRACKET	SEE RESTRAINT BRACKET PACK	37

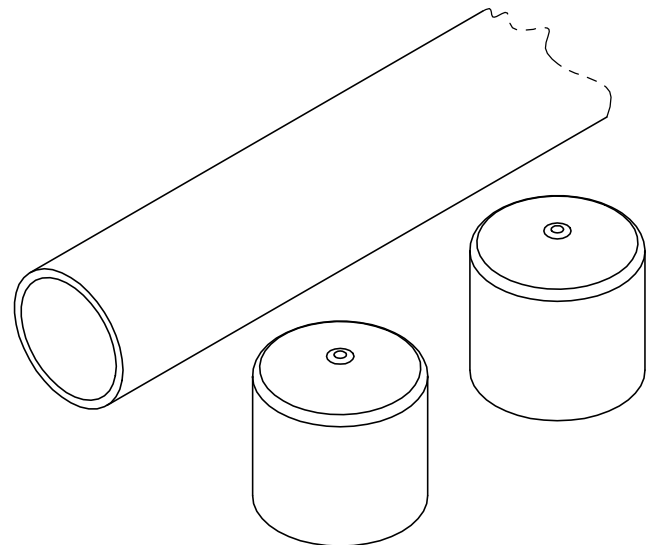


RESTRAINT BRACKET PACK	
DESCRIPTION	QTY.
PRIMER STICK	3
ISOPROPYL ALCOHOL PAD	3
SCREEN RESTRAINT BRACKET-W/HOLES	6



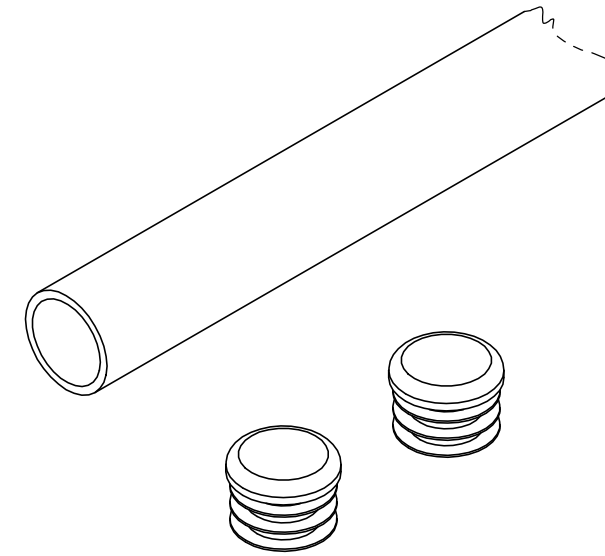
PART NUMBER MOCHA	PART NUMBER SLATE
226570	226571

LONG BOTTOM TUBE PACK	
DESCRIPTION	QTY.
LONG BOTTOM TUBE	1
COV-GEN-CAP(1-1)VINYL	2

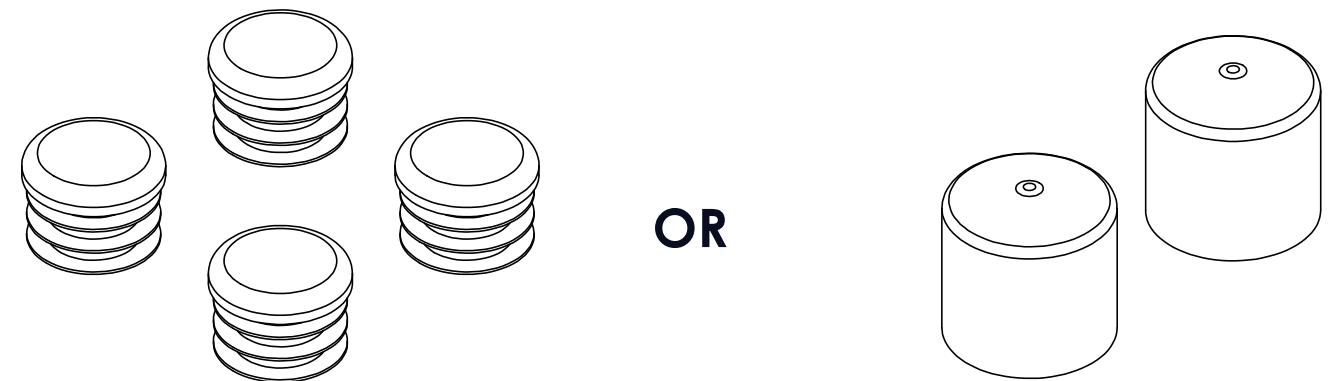


	PART NUMBER GREY	PART NUMBER BLACK
9FT	230255	230258
10FT	230256	230259
11FT	230257	230260

BOTTOM TUBE PACK	
DESCRIPTION	QTY.
BOTTOM TUBE	1
COV-GEN-CAP(3/4)-INSIDE	2



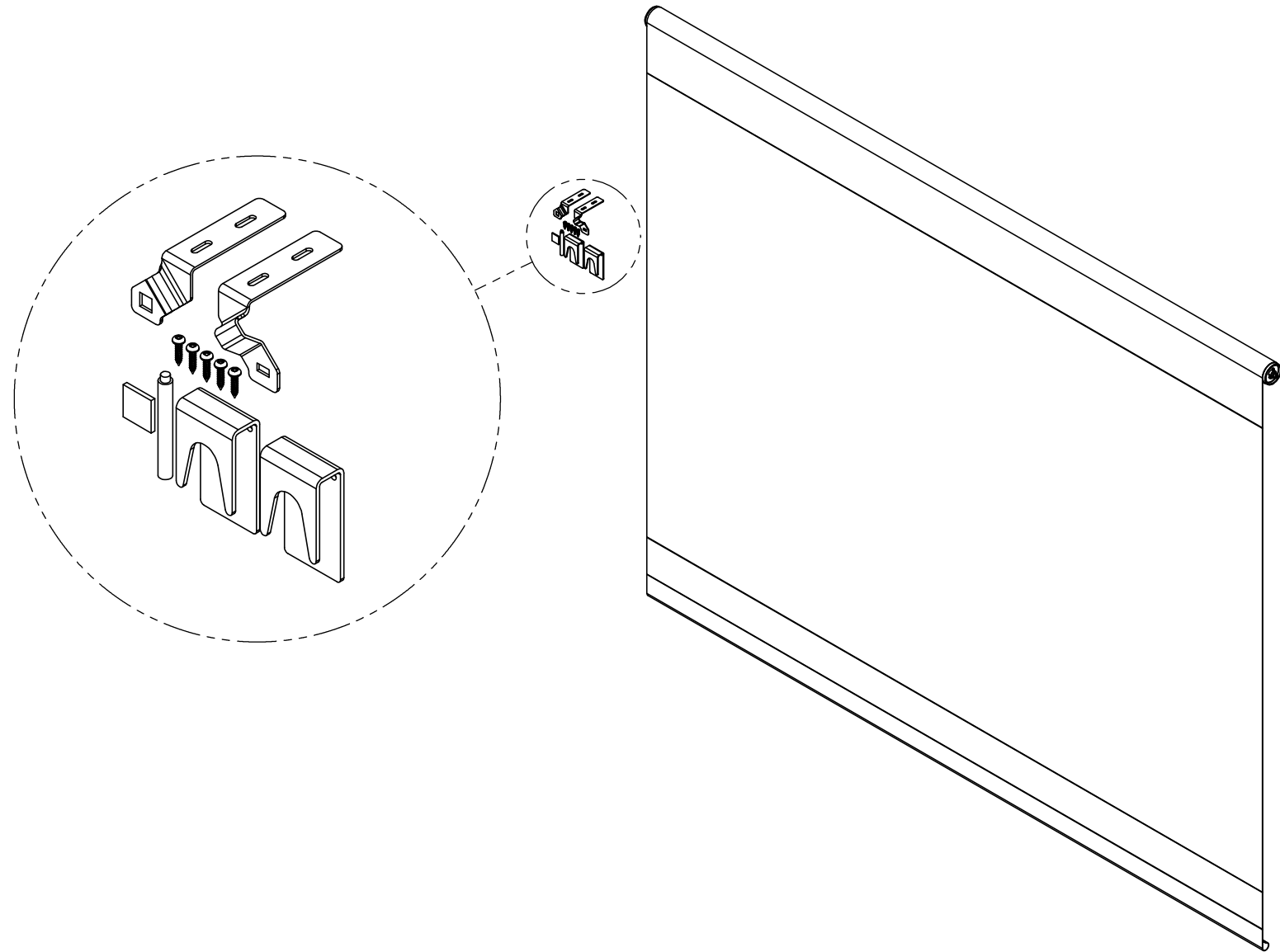
PART NUMBER			
GREY		BLACK	
SHORT SIDE	LONG SIDE	SHORT SIDE	LONG SIDE
226572	226573	226574	226575



PART NUMBER (SHORT TUBE)
221682

PART NUMBER (LONG TUBE)
221681

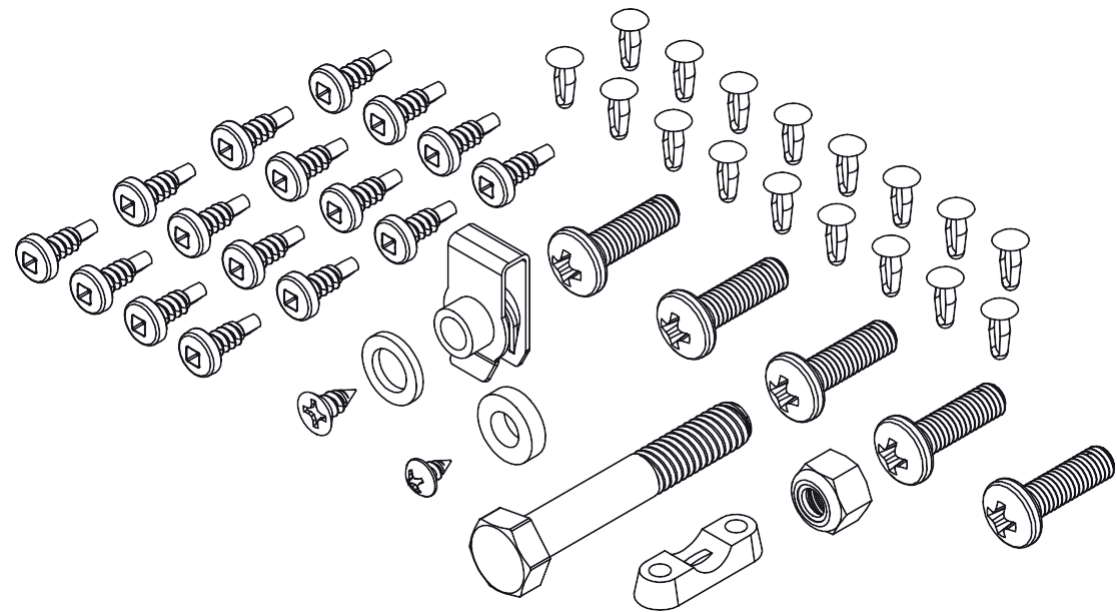
ROLLER SHADE PACK	
DESCRIPTION	QTY.
ROLLER SHADE	1
SCREEN RESTRAINT BRACKET-W/HOLES	2
SCREEN BRACKET RECTANGULAR HOLE	1
SCREEN BRACKET SQUARE HOLE	1
#8 X 3/4"RHSD SLFTP SCREW	5
PRIMER STICK	1
ISOPROPYL ALCOHOL PAD	1



SCREEN TABLE										
SHADE	PART NUMBER									
	SHORT SIDE (88 ¹ / ₄ "		LONG SIDE (93 ¹ / ₄ "		9FT SIDE		10FT SIDE		11FT SIDE	
	MOCHA	SLATE	MOCHA	SLATE	MOCHA	SLATE	MOCHA	SLATE	MOCHA	SLATE
ROLLER SHADE TOP GUN	214242	214243	214244	214246	213890	213891	213892	213893	213894	213889
ROLLER SHADE FULL SCREEN	214297	214296	214253	214298	214290	214249	214293	214250	214295	214251
ROLLER SHADE FABRIC	189541	189543	189540	189542	N/A	N/A	N/A	N/A	N/A	N/A
ROLLER SHADE SCREEN ZEN	211186	211187	211188	211189	N/A	N/A	N/A	N/A	N/A	N/A
ROLLER SHADE SCREEN ISLAND	211190	211191	211192	211193	N/A	N/A	N/A	N/A	N/A	N/A

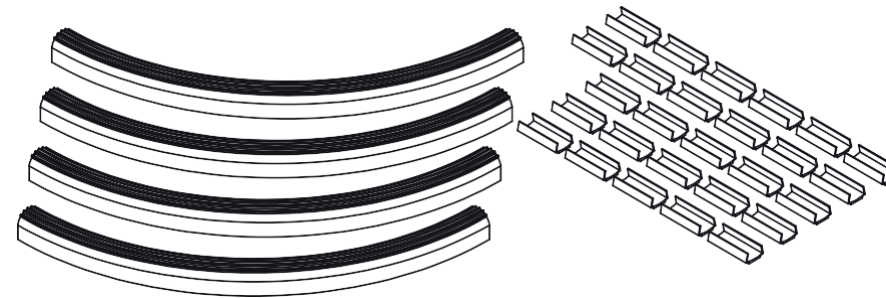
SECTION 4 – SPECIAL PACKS

UNIT TRANSFERT PACK	
DESCRIPTION	QTY.
#8 x 1/2" LG. SELF DRILLING SCREW	16
1/4" NYLON WASHER	1
M6-1.0 PANEL NUT	1
5/ 6 NYLON WASHER	1
STRAIN RELIEF	1
#6-18x1/4" ROUND HEAD PHILLIPS METAL SCREW	1
TRANSFER TIPS MANUAL	1
5/16-18x2" HEX CAP SCREW	1
PUSH-IN BLIND RIVETS BLACK	17
5/16-18 NYLON LOCK NUT-PAINTED	1
M6-1.0x20mm PHILIPS PAN HEAD	5
#8 x 3/8 FLAT HEAD PHILLIPS SCREW	1



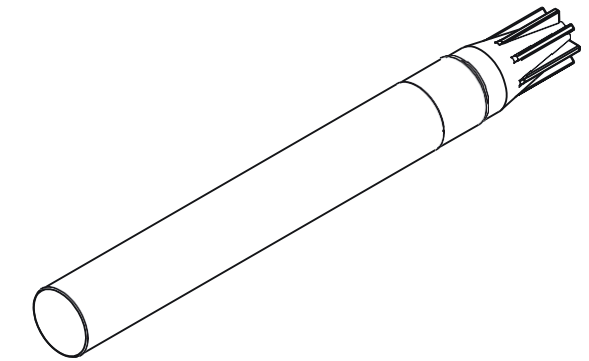
PART NUMBER	
MOCHA	SLATE
228723	228879

SHOWROOM UNIT PACK	
DESCRIPTION	QTY.
SEAL 1" PROFILE 2828W 12" LONG	4
SHOWROOM UNIT INSTALLATION MANUAL	1
MOUNTING CLIP	27



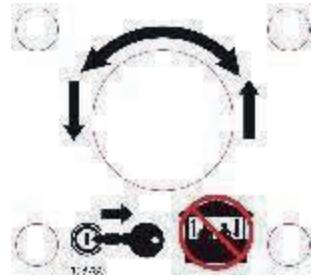
PART NUMBER
228727

TOUCH-UP PEN PACK	
DESCRIPTION	QTY.
COLOR TOUCH-UP PEN	1



PART NUMBER	
MOCHA	SLATE
201234	201235

DESCRIPTION	QTY. (ENGLISH)	QTY. (FRENCH)
OPERATOR WARNING FOR SPA COVER	1	1
OPERATOR WARNING FOR CABLE	1	1
COVANA SAFETY (ENGLISH)	8	-
COVANA SAFETY (FRENCH)	-	8
KEYSWITCH IDENTIFICATION	1	1
OPERATOR NO STEP WARNING	1	1
KEYSWITCH WARNING	1	1



LIRE LE MANUEL
D'INSTRUCTION

ATTENTION

READ THE
INSTRUCTION MANUAL

CAUTION

CONNECT ONLY TO A
CIRCUIT PROTECTED BY A CLASS
A GROUND FAULT CIRCUIT
INTERUPTER

ATTENTION

CONNECTER UNIQUEMENT
À UN CIRCUIT PROTÉGÉ PAR UN
DISJONCTEUR DIFFÉRENTIEL
DE CLASSE A

PROHIBO OPERAR
EN SEÑAL DE PELIGRO

ADVERTENCIA

RISK OF INJURY

DO NOT OPERATE
WHILE IN WATER

WARNING

RISQUE DE BLESSURE

NE PAS ACTIVER
EN SEÑAL DE PELIGRO

RISQUE DE BLESSURE

WARNING

AVOID DROWNING RISK. ENTRAPMENT POSSIBLE.
FAILURE TO FOLLOW ALL INSTRUCTIONS MAY RESULT IN INJURY OR DROWNING.
INSPECT COVER PERIODICALLY.
POWER SAFETY COVER MEETS ASTM F1346-91 REQUIREMENTS.

AVERTISSEMENT

RISQUE D'ENFERMEMENT ET DE NOYADE. AFIN D'ÉVITER TOUT RISQUE DE BLESSURE
OU DE NOYADE, SUIVRE TOUTES LES INSTRUCTIONS SPÉCIFIÉES DANS LE MANUEL
DU MANUFACTURIER. INSPECTER RÉGULIÈREMENT LE COUVERCLE.
LE COUVERCLE RÉPOND AUX NORMES ASTM F1346-91.

WARNING

RISQUE DE BLESSURE

AVERTISSEMENT

RISQUE DE BLESSURE

ADVERTENCIA

RISQUE DE BLESSURES

PART NUMBER	
ENGLISH	FRENCH
226610	226609

