

COV-LEG-COMPONENT ASSEMBLY

ITEM #	QTY.	DESCRIPTION	Dwg#
1	1	COV-LEG-BASE ASS'Y	LEGEND-SP4
2A*	1	COV-LEG-ROOF ASS'Y- 15' OR SMALLER	LEGEND-SP2
2B*	1	COV-LEG-ROOF ASS'Y - 16' OR LARGER	LEGEND-SP3

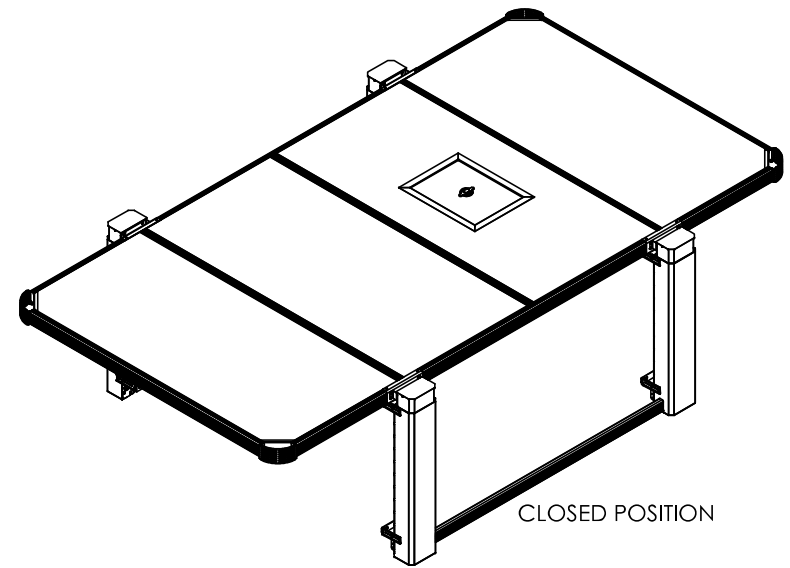
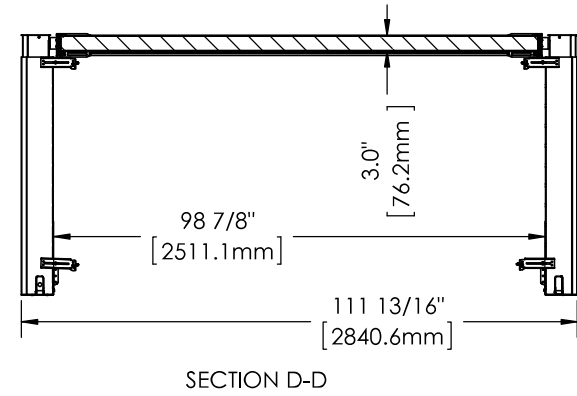
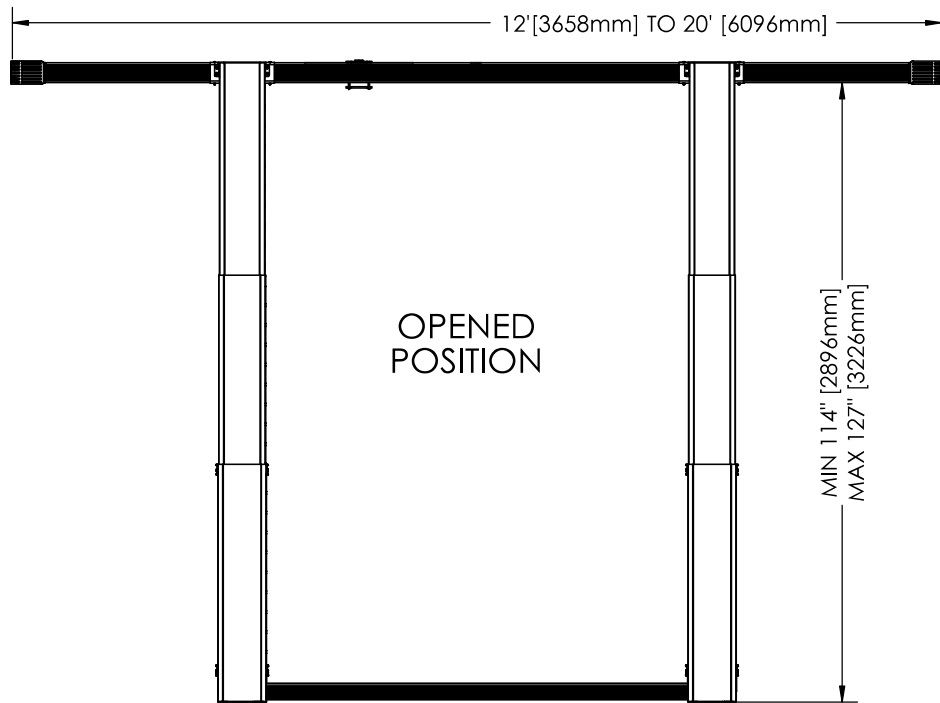
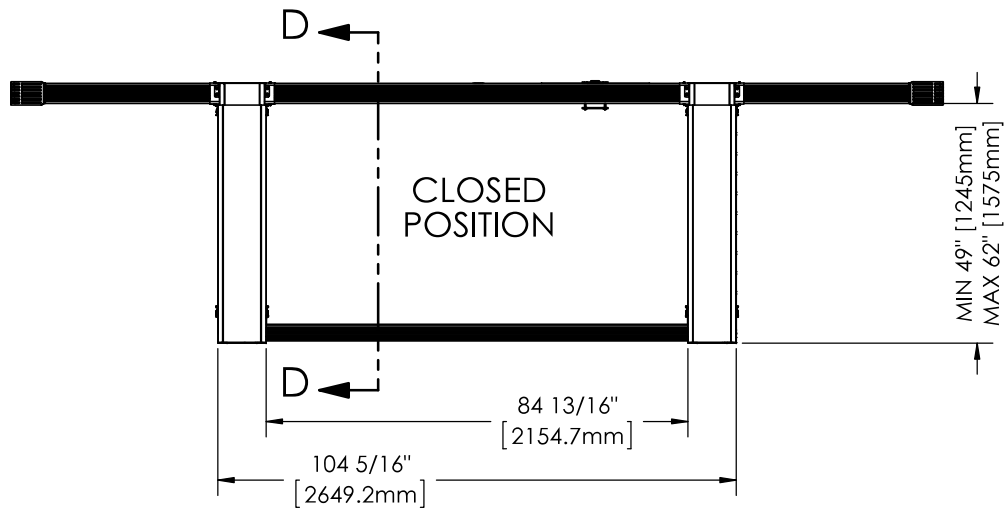
* FOR ITEM 2A & 2B (NOT SHOWN), ONLY ONE OPTION IS REQUIRED, 15' OR SMALLER (2A) OR 16' OR LARGER (2B).

COVANA LEGEND MODELS ARTICLE CODES

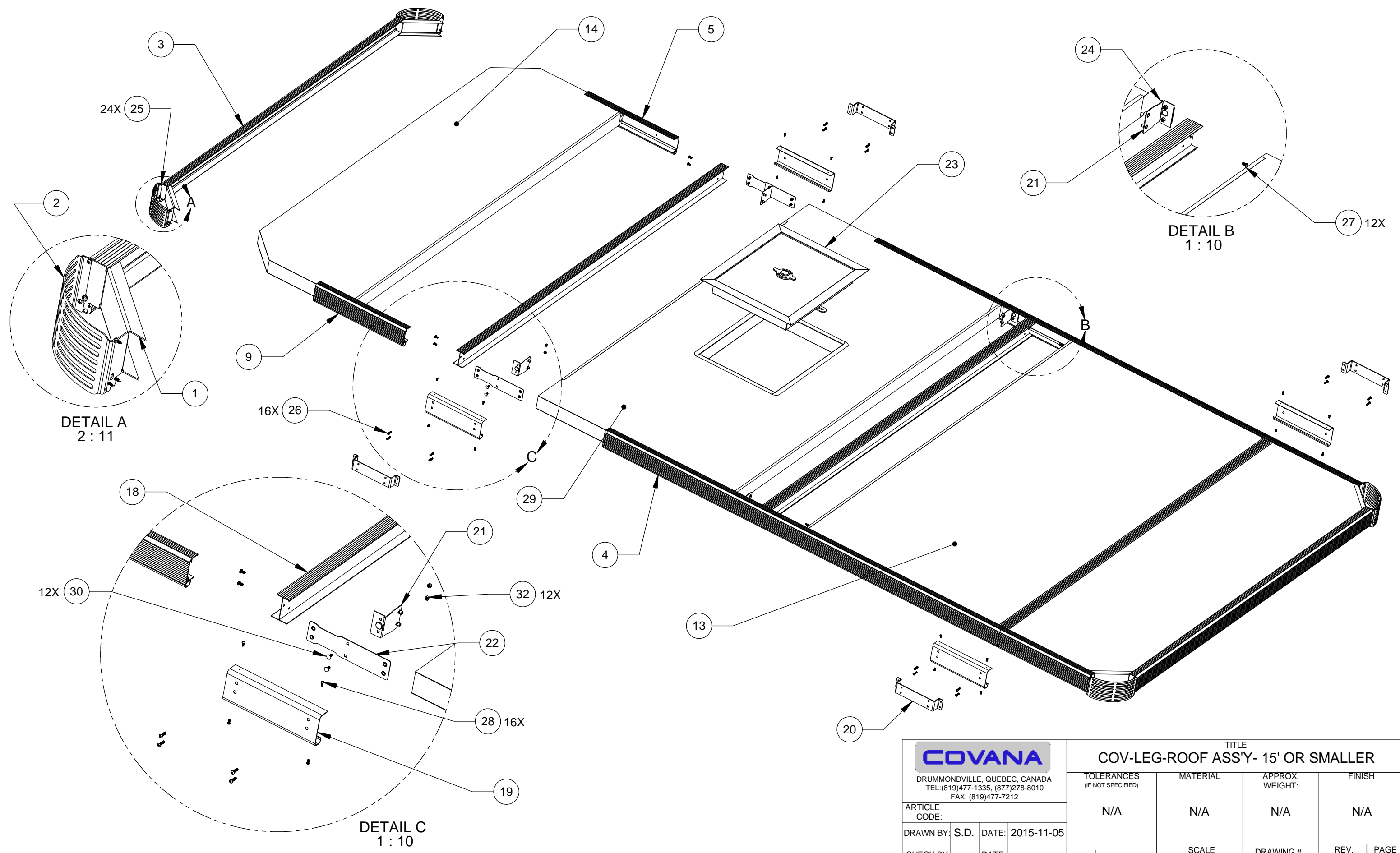
	12'	13'	14'	15'	16'	17'	18'	19'	20'
MOCHA	209157	209158	209159	209160	209161	209162	209163	209164	209165
SLATE	209298	209299	209301	209302	209303	209313	209320	209326	209346
MOCHA EXT	209347	209349	209351	209353	209364	209367	209387	209486	209488
SLATE EXT	209348	209350	209352	209354	209366	209379	209389	209487	209616
MOCHA EUR	210719	210723	210727	210732	210736	210740	210744	210748	210752
SLATE EUR	210720	210724	210729	210733	210737	210741	210745	210749	210753
MOCHA EXT EUR	210717	210721	210725	210730	210734	210738	210742	210746	210750
SLATE EXT EUR	210718	210722	210726	210731	210735	210739	210743	210747	210751
MOCHA W/ SOLAR	213183	213191	213199	213207	213215	213223	213231	213239	213247
SLATE W/ SOLAR	213185	213193	213201	213209	213217	213225	213233	213241	213249
MOCHA EXT W/SOLAR	213179	213187	213195	213203	213211	213219	213227	213235	213243
SLATE EXT W/SOLAR	213181	213189	213197	213205	213213	213224	213229	213237	213245
MOCHA W/SOLAR EUR	213184	213192	213200	213208	213216	213224	213232	213240	213248
SLATE W/SOLAR EUR	213186	213194	213202	213210	213218	213226	213234	213242	213250
MOCHA EXT W/SOLAR EUR	213180	213188	213196	213204	213212	213220	213228	213236	213244
SLATE EXT W/SOLAR EUR	213182	213190	213198	213206	213214	213222	213230	213238	213246

LEGEND-SP1

		TITLE COV-LEGEND-ASS'Y				
		<small>DRUMMONDVILLE, QUEBEC, CANADA TEL: 819-477-1335 FAX: 819-477-0306</small>	<small>TOLERANCES (IF NOT SPECIFIED)</small> N/A	<small>MATERIAL</small> N/A	<small>APPROX. WEIGHT:</small> N/A	<small>FINISH</small> N/A
<small>ARTICLE CODE:</small> SEE TABLE		<small>DATE (YYYY/MM/DD)</small> 2015/01/13	<small>SCALE</small> N.T.S.	<small>DWG #</small> LEGEND-SP1	<small>REV.</small> -	<small>PAGE</small> 1/2
<small>DRAWN BY:</small> J-S.G.	<small>CHECK BY:</small> S.D.	<small>APP. BY:</small> M.L.				



 <small>DRUMMONDVILLE, QUEBEC, CANADA TEL: (819) 477-1335, (877) 279-8010 FAX: (819) 477-7212</small>		<small>TITLE</small> COV-CS1000-12 TO 20 FT		
		<small>TOLERANCES (IF NOT SPECIFIED)</small> N/A	<small>MATERIAL</small> N/A	<small>FINISH</small> N/A
<small>ARTICLE CODE:</small> N/A	<small>DRAWN BY:</small> S.D.	<small>CHECK BY:</small> -	<small>APP. BY:</small> M.L.	<small>DATE (YYYY/MM/DD)</small> 2015/01/07
		<small>SCALE</small> N.T.S.	<small>DWG #</small> LEGEND-SP1	<small>REV.</small> 2/2



		TITLE COV-LEG-ROOF ASS'Y- 15' OR SMALLER				
		TOLERANCES (IF NOT SPECIFIED)	MATERIAL	APPROX. WEIGHT:	FINISH	
ARTICLE CODE:		N/A	N/A	N/A	N/A	
DRAWN BY: S.D.	DATE: 2015-11-05		SCALE	DRAWING #	REV.	PAGE
CHECK BY:	DATE:		N.T.S	LEGEND-SP2	-	1/2
APPR. BY: M.L.	DATE: 2015-11-13					

NO	DATE	REVISION	BY	APP

BILL OF MATERIAL

ITEM #	MODEL	PART # (MOCHA)	PART # (SLATE)	DESCRIPTION	QTY
1	ALL	210068	210069	COV-LEG-CORNER OUTSIDE BRACKET SUPPORT	4
2	ALL	210066	210067	COV-LEG-CORNER OUTSIDE BRACKET	4
3	ALL	210813	210814	COV-CS1000-C CHANNEL 83 3/4"	2
4	ALL	211094	211095	COV-CS1000-C CHANNEL-94 9/16"	2
5	12' MODEL	211056	211057	COV-CS1000-C CHANNEL 39 9/16"-LEFT-W/HOLES	2
	13' MODEL	211060	211061	COV-CS1000-C CHANNEL 27 9/16"-LEFT-W/HOLES	
	14' MODEL	211064	211065	COV-CS1000-C CHANNEL 33 9/16"-LEFT-W/HOLES	
	15' MODEL	211068	211069	COV-CS1000-C CHANNEL 39 9/16"-LEFT-W/HOLES	
9	12' MODEL	211058	211059	COV-CS1000-C CHANNEL 21 9/16"-RIGHT-W/HOLES	2
	13' MODEL	211062	211063	COV-CS1000-C CHANNEL 27 9/16"-RIGHT-W/HOLES	
	14' MODEL	211066	211067	COV-CS1000-C CHANNEL 33 9/16"-RIGHT-W/HOLES	
	15' MODEL	211070	211071	COV-CS1000-C CHANNEL 39 9/16"-RIGHT-W/HOLES	
13	ALL	209325		COV-CS1000-PANEL 46.75"X96"	1
14	12' MODEL	209328		COV-CS1000-PANEL 27.25"X96"-EDGE	2
	13' MODEL	209329		COV-CS1000-PANEL 33.25"X96"-EDGE	
	14' MODEL	209330		COV-CS1000-PANEL 39.25"X96"-EDGE	
	15' MODEL	209331		COV-CS1000-PANEL 45.25"X96"-EDGE	
18	ALL	209048		COV-CS1000-I BEAM-93 3/4"-WHITE W/HOLES	3
19	ALL	210073	210074	COV-LEG-JOINT SUPPORT BRACKET	4
20	ALL	210070	210071	COV-LEG-COVER MOUNT BRACKET	4
21	ALL	209150		COV-CS1000-I TO C CONNECTION	6
22	ALL	209149		COV-CS1000-11" C-CHANNEL CONNECTION	4
23	ALL	209247		COV-LEG-ESCAPE HATCH DOOR	1
24	ALL	209123		COV-LEG-C CHANNEL CONNECTION PLATE	2
25	ALL	209345		#8-15 X 1/2"(PAN HEAD PHILLIPS #2 - SS 18-8)	24
26	ALL	211559		1/4-20-1 (BUTTON HEAD SOCKET CAP SCREW SS 18-8)	16
27	ALL	209186		1/4-20-1/2 (PAN HEAD PHILLIPS #3 - SS 18-8)	12
28	ALL	210995	210996	#10-24-1/2 PHILLIPS THREAD CUTTING SCREW ZINC	16
29	ALL	209323		COV-CS1000-PANEL 46.75"X96" W/ESCAPE HATCH HOLE	1
30	ALL	209188		1/4-20-5/8 (CARRIAGE - SS 18-8)	12
31	ALL	211561		1/4-20 (S.S.18-8)	0
32	ALL	209309		1/4-20 (NYLON LOCK-S.S.18-8)	12

FINAL PRODUCTS

DESCRIPTION	PART #
COV-CS1000-ROOF ASS'Y 12 FT-MOCHA	211038
COV-CS1000-ROOF ASS'Y 12 FT-SLATE	211039
COV-CS1000-ROOF ASS'Y 13 FT-MOCHA	211040
COV-CS1000-ROOF ASS'Y 13 FT-SLATE	211041
COV-CS1000-ROOF ASS'Y 14 FT-MOCHA	211042
COV-CS1000-ROOF ASS'Y 14 FT-SLATE	211043
COV-CS1000-ROOF ASS'Y 15 FT-MOCHA	211044
COV-CS1000-ROOF ASS'Y 15 FT-SLATE	211045

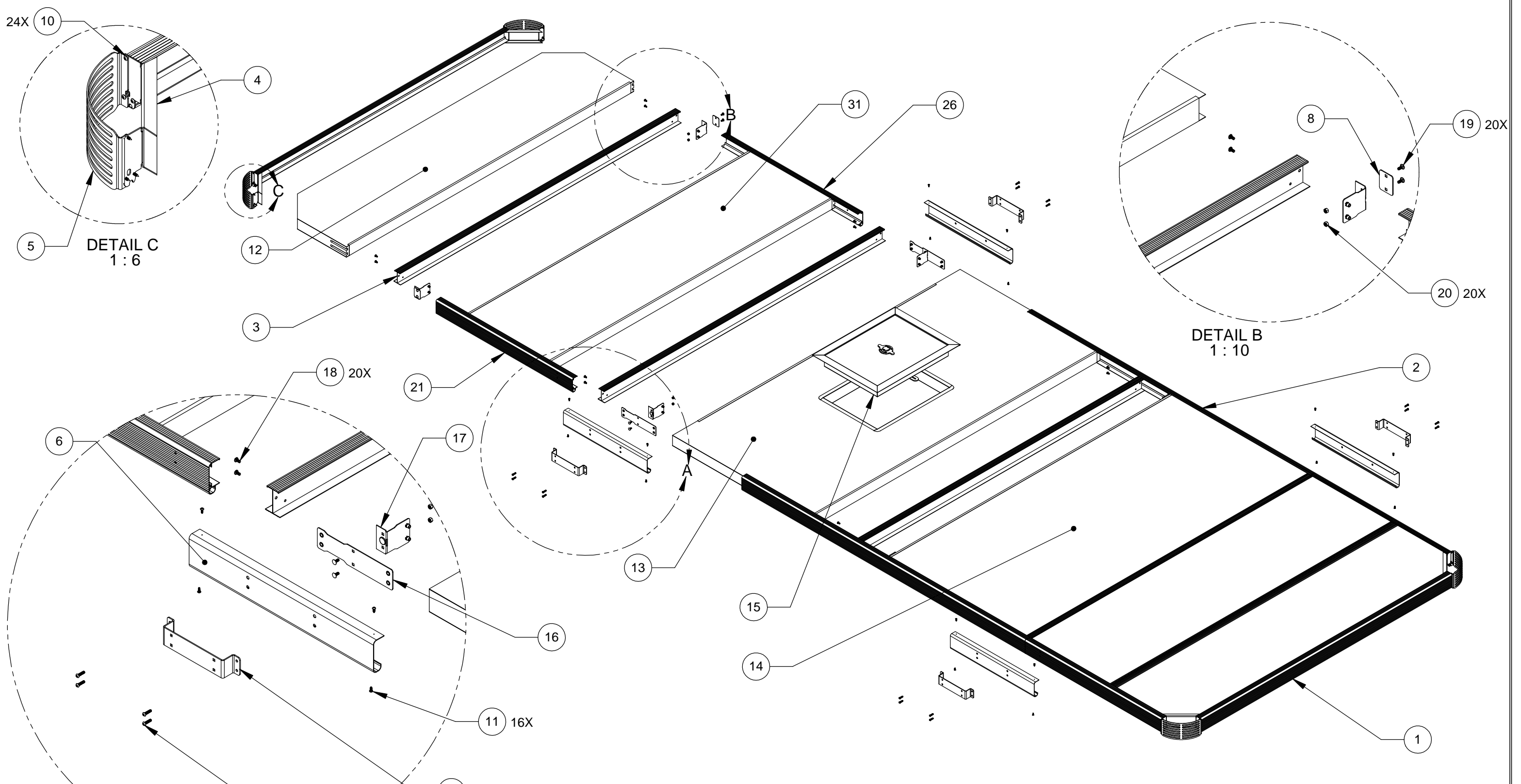
OBSOLETE PRODUCTS*

COV-CS1000-ROOF ASS'Y 12 FT-WHITE	209232
COV-CS1000-ROOF ASS'Y 13 FT-WHITE	209233
COV-CS1000-ROOF ASS'Y 14 FT-WHITE	209234
COV-CS1000-ROOF ASS'Y 15 FT-WHITE	209235

*CALL CUSTOMER SERVICE OFFICE TO KNOW IF PARTS ARE STILL AVAILABLE.

NO	DATE	REVISION	BY	APP	APPR. BY: M.L.	DATE: 2015-11-13
----	------	----------	----	-----	----------------	------------------

DRUMMONDVILLE, QUEBEC, CANADA TEL: (819)477-1335, (877)278-8010 FAX: (819)477-7212	TITLE COV-LEG-ROOF ASS'Y-12 FT TO 15 FT				
	TOLERANCES (IF NOT SPECIFIED)	MATERIAL	APPROX. WEIGHT:	FINISH	
	N/A	N/A	N/A	N/A	
	DRAWN BY: S.D.	DATE: 2015-11-05	SCALE	DRAWING #	REV.
CHECK BY:	DATE:	N.T.S	LEGEND-SP2	-	2/2



LEGEND-SP3

		TITLE COV-LEG-ROOF ASS'Y - 16' OR LARGER				
		TOLERANCES (IF NOT SPECIFIED)	MATERIAL	APPROX. WEIGHT:	FINISH	
ARTICLE CODE:		N/A	N/A	N/A	N/A	
DRAWN BY: S.D.	DATE: 2015-11-05		SCALE	DRAWING #	REV.	PAGE
CHECK BY:	DATE:		N.T.S	LEGEND-SP3	-	1/2
APPR. BY: M.L.	DATE: 2015-11-13					

NO	DATE	REVISION	BY	APP

BILL OF MATERIAL

ITEM	MODEL	PART # (MOCHA)	PART # (SLATE)	DESCRIPTION	QTY
1	ALL	210813	210814	COV-CS1000-C CHANNEL 83 3/4"	2
2	ALL	211094	211095	COV-CS1000-C CHANNEL-94 9/16"	2
3	ALL	209048		COV-CS1000-I BEAM-93 3/4"-WHITE W/HOLES	5
4	ALL	210068	210069	COV-LEG-CORNER OUTSIDE BRACKET SUPPORT	4
5	ALL	210066	210067	COV-LEG-CORNER OUTSIDE BRACKET	4
6	ALL	210992	210993	COV-CS1000-LONG JOINT SUPPORT BRACKET	4
7	ALL	210070	210071	COV-LEG-COVER MOUNT BRACKET	4
8	ALL	209123		COV-LEG-C CHANNEL CONNECTION PLATE	6
9	ALL	211559		1/4-20-1 (BUTTON HEAD SOCKET CAP SCREW SS 18-8)	16
10	ALL	209345		#8-15 X 1/2"(PAN HEAD PHILLIPS #2 - SS 18-8)	24
11	ALL	210995	210996	#10-24-1/2 PHILLIPS THREAD CUTTING SCREW ZINC	16
12	ALL	209327		COV-CS1000-PANEL 23.50"X96"-EDGE	2
13	ALL	209323		COV-CS1000-PANEL 46.75"X96" W/ESCAPE HATCH HOLE	1
14	ALL	209325		COV-CS1000-PANEL 46.75"X96"	1
15	ALL	209247		COV-LEG-ESCAPE HATCH DOOR	1
16	ALL	209149		COV-CS1000-11" C-CHANNEL CONNECTION	4
17	ALL	209150		COV-CS1000-I TO C CONNECTION	10
18	ALL	209186		1/4-20-1/2 (PAN HEAD PHILLIPS #3 - SS 18-8)	20
19	ALL	209188		1/4-20-5/8 (CARRIAGE - SS 18-8)	20
20	ALL	209309		1/4-20 (NYLON LOCK-S.S.18-8)	20
21	16' MODEL	211074	211075	COV-CS1000-C CHANNEL 45 9/16"-RIGHT-W/HOLES	2
	17' MODEL	211078	211079	COV-CS1000-C CHANNEL 51 9/16"	
	18' MODEL	211082	211083	COV-CS1000-C CHANNEL 57 9/16"-RIGHT-W/HOLES	
	19' MODEL	211086	211087	COV-CS1000-C CHANNEL 63 9/16"-RIGHT-W/HOLES	
	20' MODEL	211090	211091	COV-CS1000-C CHANNEL 65 1/16"-RIGHT-W/HOLES	
26	16' MODEL	211072	211073	COV-CS1000-C CHANNEL 45 9/16"-LEFT-W/HOLES	2
	17' MODEL	211076	211077	COV-CS1000-C CHANNEL 51 9/16"-LEFT-W/HOLES	
	18' MODEL	211080	211081	COV-CS1000-C CHANNEL 57 9/16"-LEFT-W/HOLES	
	19' MODEL	211084	211085	COV-CS1000-C CHANNEL 63 9/16"-LEFT-W/HOLES	
	20' MODEL	211088	211089	COV-CS1000-C CHANNEL 65 1/16"	
31	16' MODEL	209316		COV-CS1000-PANEL 27.75"X96"	2
	17' MODEL	209317		COV-CS1000-PANEL 33.75"X96"	
	18' MODEL	209318		COV-CS1000-PANEL 39.75"X96"	
	19' MODEL	209319		COV-CS1000-PANEL 45.75"X96"	
	20' MODEL	209325		COV-CS1000-PANEL 46.75"X96"	

FINAL PRODUCTS


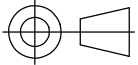
DESCRIPTION	PART #
COV-CS1000-ROOF ASS'Y 16 FT-MOCHA	211046
COV-CS1000-ROOF ASS'Y 16 FT-SLATE	211047
COV-CS1000-ROOF ASS'Y 17 FT-MOCHA	211048
COV-CS1000-ROOF ASS'Y 17 FT-SLATE	211049
COV-CS1000-ROOF ASS'Y 18 FT-MOCHA	211050
COV-CS1000-ROOF ASS'Y 18 FT-SLATE	211051
COV-CS1000-ROOF ASS'Y 19 FT-MOCHA	211052
COV-CS1000-ROOF ASS'Y 19 FT-SLATE	211053
COV-CS1000-ROOF ASS'Y 20 FT-MOCHA	211054
COV-CS1000-ROOF ASS'Y 20 FT-SLATE	211055

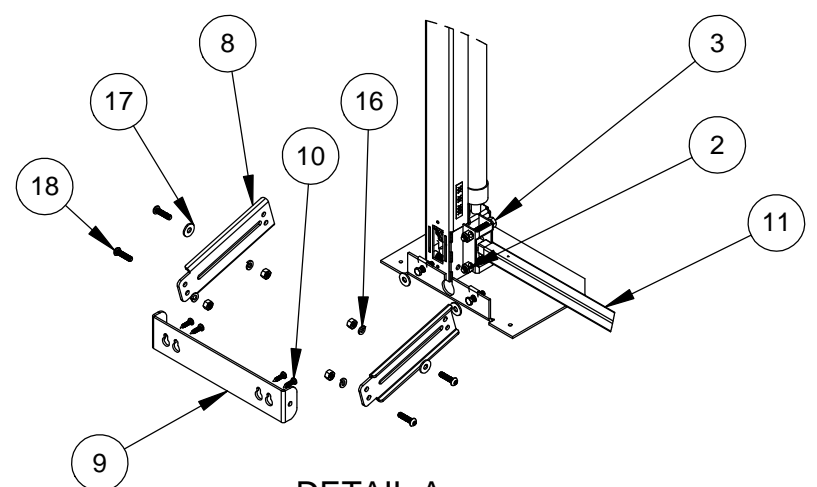
OBSOLETE PRODUCTS*

COV-CS1000-ROOF ASS'Y 16 FT-WHITE	209478
COV-CS1000-ROOF ASS'Y 17 FT-WHITE	209236
COV-CS1000-ROOF ASS'Y 18 FT-WHITE	209237
COV-CS1000-ROOF ASS'Y 19 FT-WHITE	209238
COV-CS1000-ROOF ASS'Y 20 FT-WHITE	209239

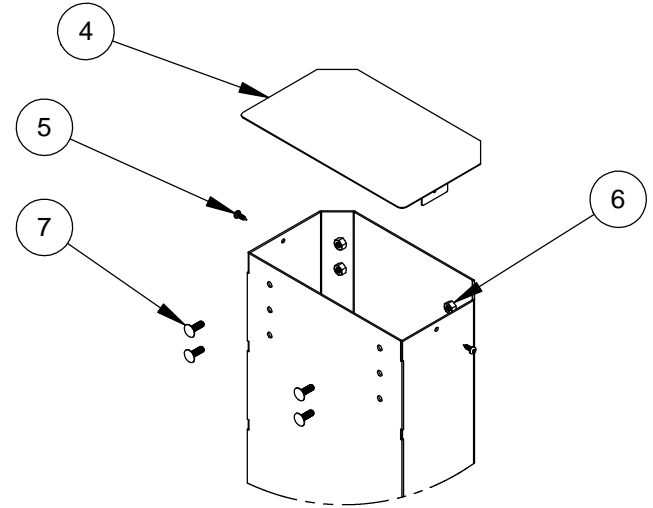
*CALL CUSTOMER SERVICE OFFICE TO KNOW IF PARTS ARE STILL AVAILABLE.

NO	DATE	REVISION	BY	APP

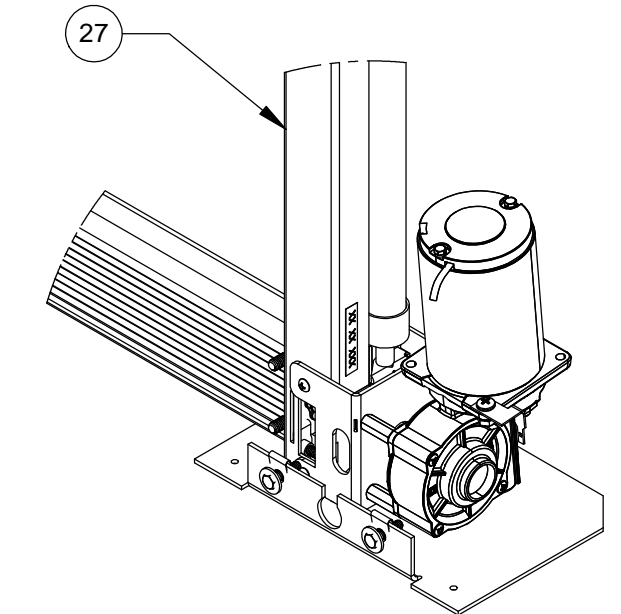
 DRUMMONDVILLE, QUEBEC, CANADA TEL: (819)477-1335, (877)278-8010 FAX: (819)477-7212		TITLE COV-LEG-ROOF ASS'Y-16 FT TO 20 FT					
		TOLERANCES (IF NOT SPECIFIED)	MATERIAL	APPROX. WEIGHT:	FINISH		
ARTICLE CODE:	SEE TABLE			N/A	N/A	N/A	N/A
DRAWN BY: S.D.	DATE: 2015-11-05			SCALE	DRAWING #	REV.	PAGE
CHECK BY:	DATE:			N.T.S	LEGEND-SP3	-	2/2
APPR. BY: M.L.	DATE: 2015-11-13						



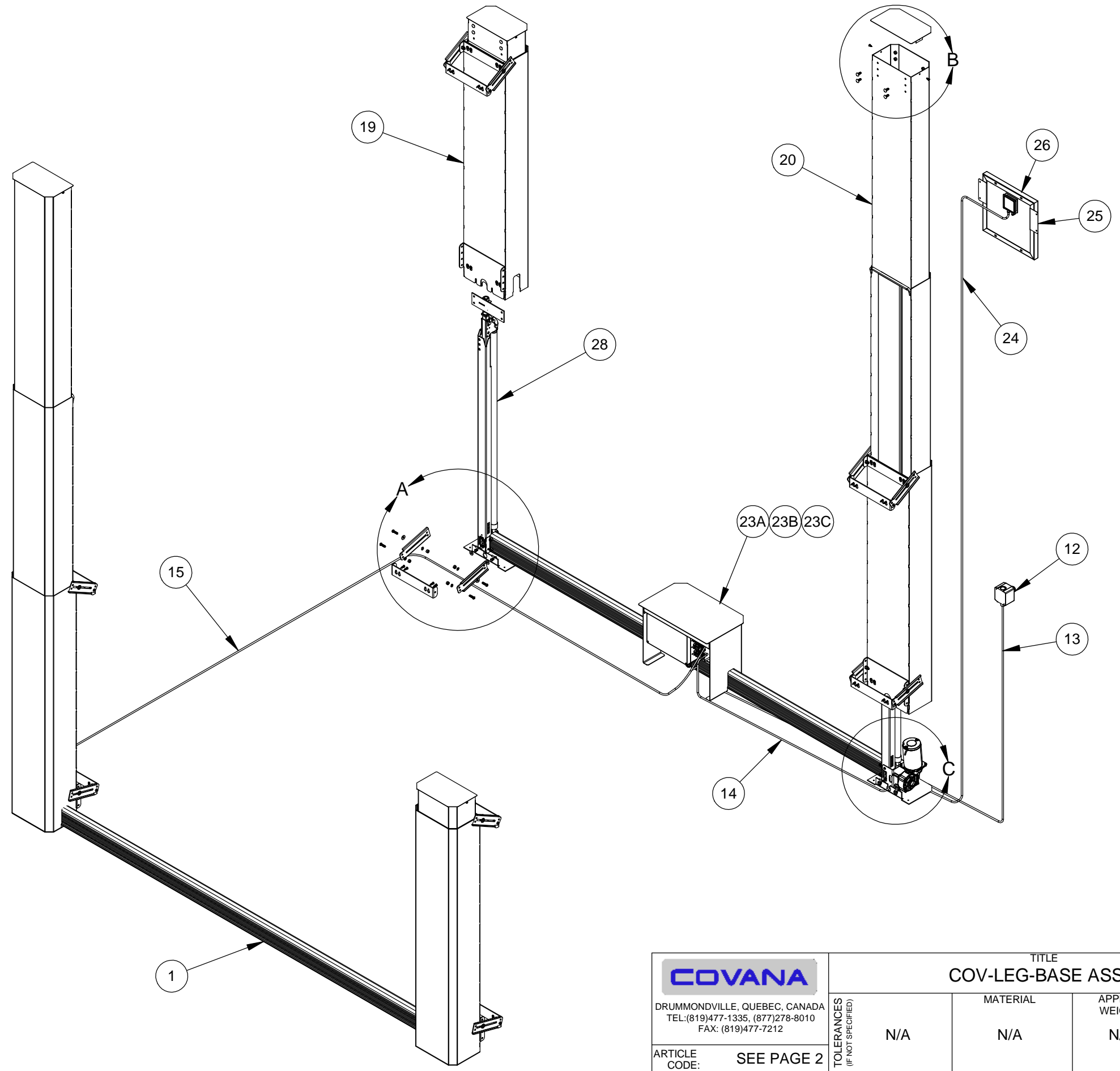
DETAIL A



DETAIL B



DETAIL C



NO	DATE	REVISION	BY	APP
			J-S.G.	S.D.

COVANA
 DRUMMONDVILLE, QUEBEC, CANADA
 TEL: (819)477-1335, (877)278-8010
 FAX: (819)477-7212

ARTICLE CODE: SEE PAGE 2

DRAWN BY: J-S.G. CHECK BY: S.D. APP. BY: M.L.

TITLE				
COV-LEG-BASE ASS'Y				
TOLERANCES (IF NOT SPECIFIED)	MATERIAL	APPROX. WEIGHT:	FINISH	
N/A	N/A	N/A	N/A	
DATE (YYYY/MM/DD)	SCALE	DWG #	REV.	PAGE
2015/01/13	N.T.S.	LEGEND-SP4	-	1/2

COV-LEG-BASE ASS'Y PARTS

ITEM #	DESCRIPTION	Qté/Qty	PART # (MOCHA)	PART # (SLATE)
1	FRAME-86-38-2.5-2470-W/HOLES	2	200242	200241
2	5/16-18 HEX NYLON LOCK NUT Z/P	8	183038	
3	5/16-18-2"(HEX CAP SCREW Z/P)	8	156429	
4	COV-LEG-SLEEVE ASS'Y TOP PLATE	4	209209	209271
5	#8-15x1/2" SCREW (Z/P)	8	202010	202009
6	1/4-20 (S.S.18-8)	48	211561	
7	1/4-20-3/4(S.S. 18-8)	16	209445	
8	COV-LEG-BRACKET TUB MOUNT ARM	16	209106	209226
9	COV-LEG-BRACKET TUB MOUNT	8	209105	209109
10	#10-12 X 3/4 PAN HEAD PHILLIPS #2-SS 18-8 SELF TAP	32	209812	
11	COV-GEN-TUBE-19-19-1.6-2289-DRIVE SHAFT	2	194700	
12	COV-KEY SWITCH-ASS'Y	1	209381	
13	EH-COV-GEN-25'-KEY SWITCH WITH MX150L	1	209210	
14	EH-COV-LEG-9'-EM CABLE	1	209246	
15	EH-COV-LEG-25'-EM CABLE	1	211195	
16	1/4 LOCK WASHER (SS316)	48	211562	
17	1/4 FLAT (OD 0.625" S.S.316)	24	211125	
18	1/4-20-1 (BUTTON HEAD SOCKET CAP SCREW SS 18-8)	32	211559	
19	COV-LEG-NON MOTOR SLEEVE ASS'Y	2	209370	209520
20	COV-LEG-MOTOR SLEEVE ASS'Y	2	209369	209479
23A	COV-LEG-POWER BOX ASS'Y	1	211104	211106
23B	COV-LEG-POWER BOX ASS'Y-W/SOLAR OPT	1	213345	213346
23C	COV-LEG-POWER BOX ASS'Y-HYBRID	1	214382	214383

COV-LEG-SOLAR PANEL ASS'Y COMPONENTS (OPTIONAL)

ITEM #	DESCRIPTION	Qté/Qty	PART # (MOCHA)	PART # (SLATE)
24	EH-COV-LEG-SOLAR PANEL 24V 10W	1	210804	
25	COV-LEG-SOLAR PANEL MOUNT BRACKET	2	211176	
26	COV-LEG-SOLAR PANEL 24V 10W	1	210387	


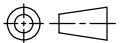
JACK ASS'Y (FOR 12' TO 14')

ITEM #	DESCRIPTION	Qté/Qty	PART # (MOCHA)	PART # (SLATE)
27	COV-LEG-JACK ASS'Y-MOTOR (500N)	2	215856	215857
28	COV-LEG-JACK ASS'Y-NON MOTOR (500N)	2	213351	213352

JACK ASS'Y (FOR 15' TO 20')

ITEM #	DESCRIPTION	Qté/Qty	PART # (MOCHA)	PART # (SLATE)
27	COV-LEG-JACK ASS'Y-MOTOR (900N)	2	211336	213353
28	COV-LEG-JACK ASS'Y-NON MOTOR (500N)	2	213351	213352

NO	DATE	REVISION	BY	APP
			J-S.G.	S.D. M.L.

 DRUMMONDVILLE, QUEBEC, CANADA TEL: (819)477-1335, (877)278-8010 FAX: (819)477-7212	TITLE COV-LEG-BASE ASS'Y			
	TOLERANCES (IF NOT SPECIFIED) N/A	MATERIAL N/A	APPROX. WEIGHT: N/A	FINISH N/A
ARTICLE CODE: SEE TABLE	DATE (YYYY/MM/DD) 2015/01/13	SCALE N.T.S.	DWG # LEGEND-SP4	REV. / PAGE - / 2/2
DRAWN BY: J-S.G.	CHECK BY: S.D.	APP. BY: M.L.		

COV-LEG-PARTS BOX #1-15' OR SMALLER (ITEM 12A/13A)

MOCHA EXTENDED: 209791 MOCHA : 209332
 SLATE EXTENDED: 209792 SLATE :209712

COV-LEG-PARTS BOX #1-16' OR LARGER (ITEM 12A/13B)

MOCHA EXTENDED: 209793 MOCHA : 209333
 SLATE EXTENDED: 209794 SLATE :209713

COV-LEG-PARTS BOX #1-15' OR SMALLER-EUR (ITEM 12B/13A)

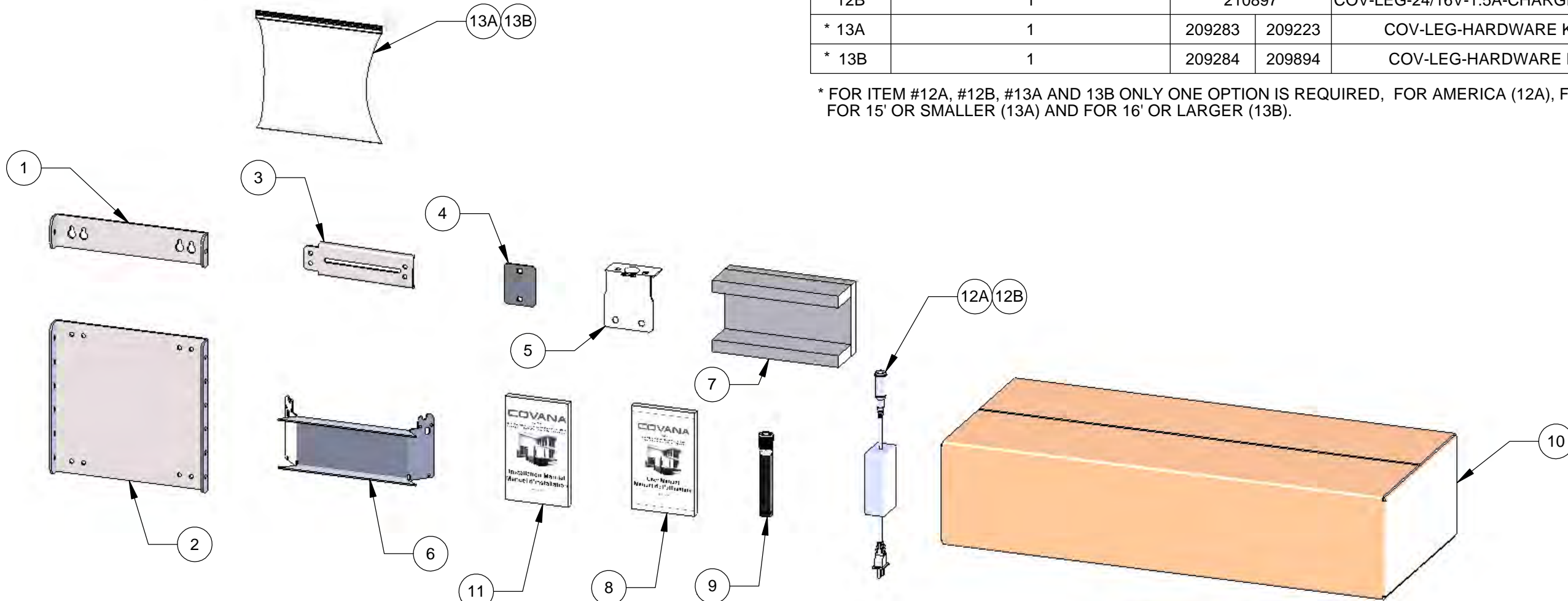
MOCHA EXTENDED: 211306 MOCHA : 211308
 SLATE EXTENDED: 211307 SLATE :211309

COV-LEG-PARTS BOX #1-16' OR LARGER-EUR (ITEM 12B/13B)

MOCHA EXTENDED: 211327 MOCHA : 211329
 SLATE EXTENDED: 211328 SLATE : 211330

ITEM #	REG/QTY	EXT/QTY	PART # (MOCHA)	PART # (SLATE)	DESCRIPTION
1	8	4	209105	209109	COV-LEG-BRACKET TUB MOUNT
2	0	4	209107	209112	COV-LEG-BRACKET TUB MOUNT-EXTENDED
3	16		209106	209226	COV-LEG-BRACKET TUB MOUNT ARM
4	15' OR LESS : 2 / 16' OR MORE : 6		209123		COV-LEG-C CHANNEL CONNECTION PLATE
5	15' OR LESS: 6 / 16' OR MORE: 10		209150		COV-LEG-I TO C CONNECTION
6	4		210068	210069	COV-LEG-CORNER OUTSIDE BRACKET SUPPORT
7	1		209269		COV-LEG-COVER HAMMER BLOCK
8	1		209799		COV-LEG-MANUAL-USER-EN
9	1		201234	201235	COV-GEN-MARQUEUR POINTE FEUTRE
10	1		209196		BOITES 28-12-6
11	1		209798		COV-LEG-MANUAL-INSTALLATION-EN
* 12A	1		209211		COV-LEG-24/16V-1.5A-CHARGER ASS'Y -CPC PLUG
* 12B	1		210897		COV-LEG-24/16V-1.5A-CHARGER ASS'Y -CPC PLUG-EUR
* 13A	1		209283	209223	COV-LEG-HARDWARE KIT 15' OR SMALLER
* 13B	1		209284	209894	COV-LEG-HARDWARE KIT 16' OR LARGER

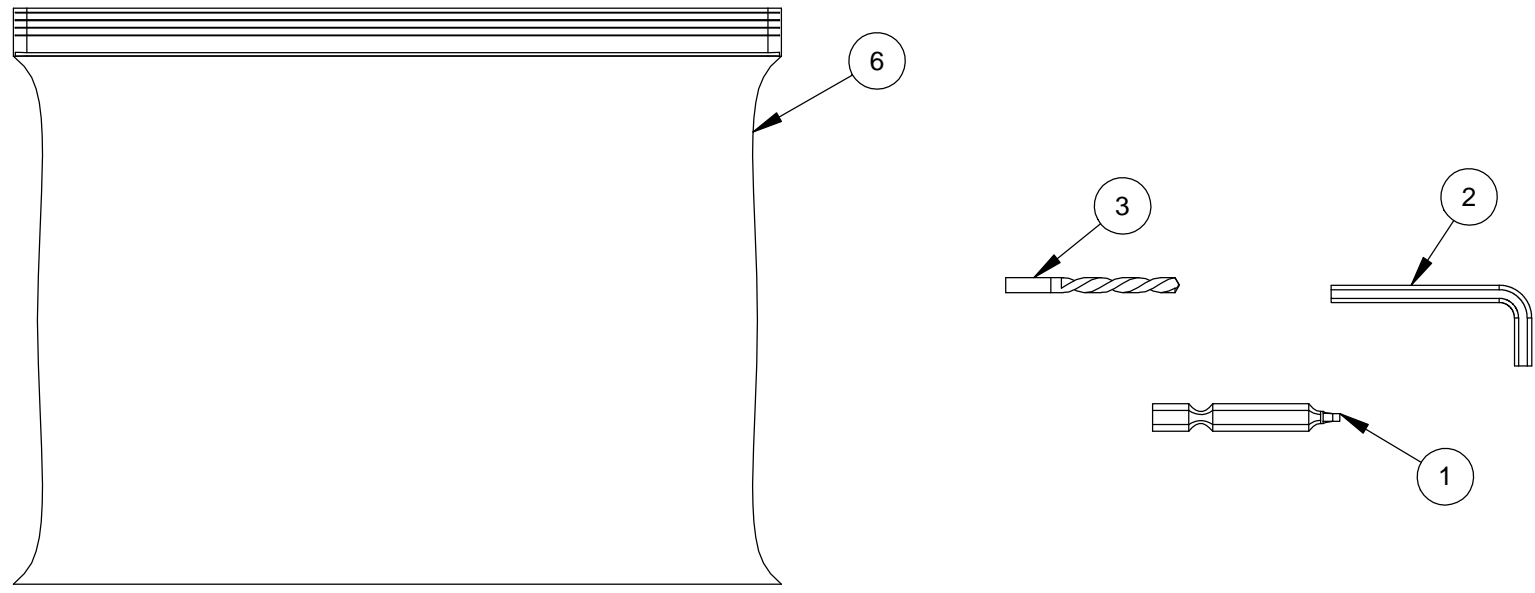
* FOR ITEM #12A, #12B, #13A AND 13B ONLY ONE OPTION IS REQUIRED, FOR AMERICA (12A), FOR EUROPE (12B), FOR 15' OR SMALLER (13A) AND FOR 16' OR LARGER (13B).



LEGEND-PB1

DRUMMONDVILLE, QUEBEC, CANADA TEL: (819)477-1335, (877)278-8010 FAX: (819)477-7212		TITLE COV-LEG-PARTS BOX #1						
		TOLERANCES (IF NOT SPECIFIED) N/A	MATERIAL N/A	APPROX. WEIGHT: N/A	FINISH N/A			
ARTICLE CODE: SEE TABLE	DRAWN BY: J-S.G.	CHECK BY: S.D.	APP. BY: M.L.	DATE (YYYY/MM/DD) 2015-01-14	SCALE N.T.S.	DWG # LEGEND-PB1	REV. -	PAGE 1/3

NO	DATE	REVISION	BY	APP

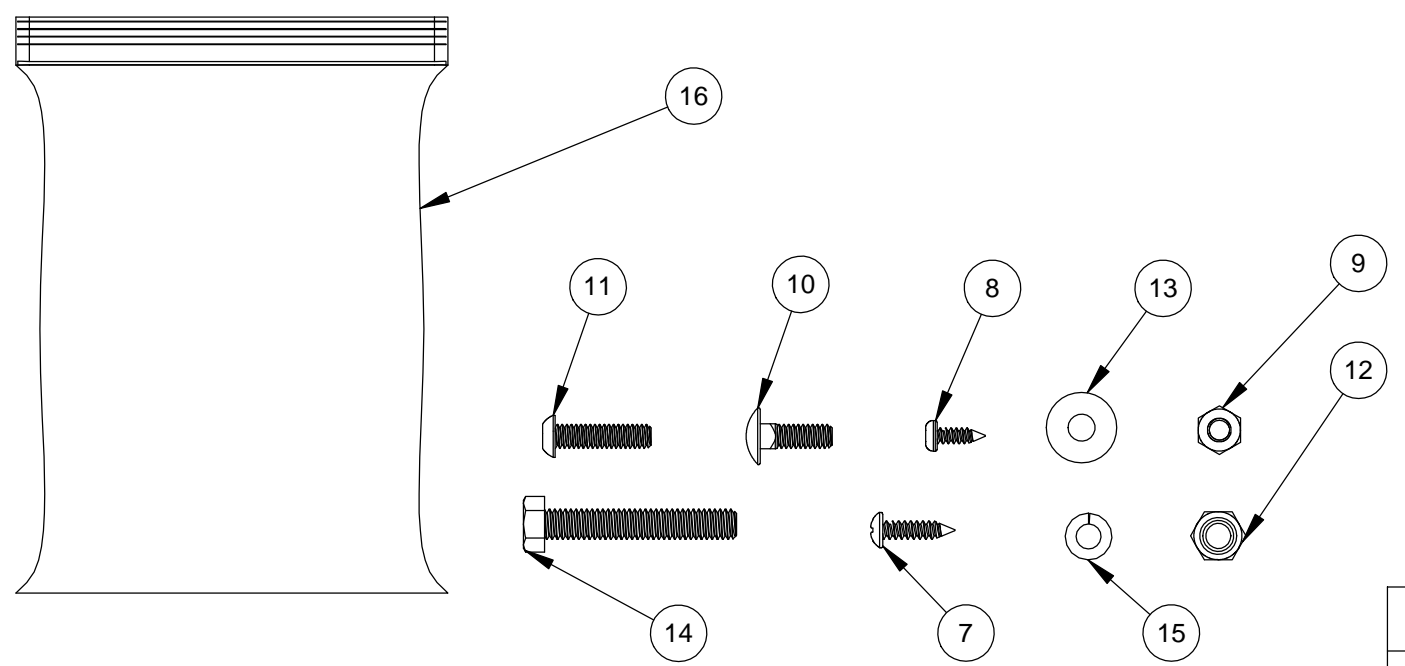


COV-LEG-HARDWARE KIT

No. ARTICLE	PART # (MOCHA)	PART # (SLATE)	DESCRIPTION	QTE
1	188924		#2 X 2" ROBERTSON DRIVE BIT	1
2	211590		5/32 HEX DRIVE SHORT ARM STANDARD L HEX KEY	1
3	108604		5/32	1
4	209820	209222	COV-LEG-HARDWARE KIT-POSTS	1
5A*	211299	211300	COV-LEG-HARDWARE KIT - ROOF 15' OR SMALLER	1
5B*	211301	211302	COV-LEG-HARDWARE KIT- ROOF 16' OR LARGER	1
6	205342		SAC DE PLASTIQUE 8" x 10" (0.004")	1

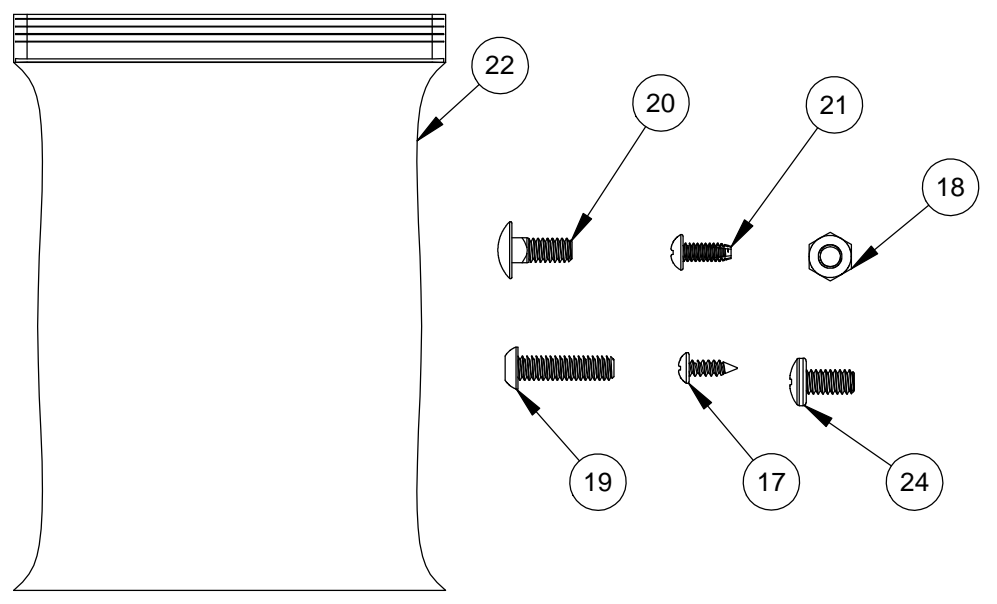
* FOR ITEM #5A & #5B, ONLY ONE OPTION IS REQUIRED, 5A FOR 15' OR SMALLER OR 5B FOR 16' OR LARGER.

COV-LEG-HARDWARE KIT- POST (ITEM #4)



No. ARTICLE	PART # (MOCHA)	PART # (SLATE)	DESCRIPTION	15' OR SMALLER/ QTY	16' OR LARGER/ QTY
7	209812		#10-12 X 3/4 PAN HEAD PHILLIPS #2-SS 18-8 SELF TAP	33	
8	202010	202009	#8-15x1/2" SCREW (Z/P)	11	
9	211561		1/4-20 (S.S.18-8)	49	
10	209445		1/4-20-3/4(S.S. 18-8)	17	
11	211559		1/4-20-1 (BUTTON HEAD SOCKET CAP SCREW SS 18-8)	17	
12	183038		5/16-18 HEX NYLON LOCK NUT Z/P	9	
13	211125		1/4 FLAT (OD 0.625" S.S.316)	33	
14	156429		5/16-18-2"(HEX CAP SCREW Z/P)	9	
15	211562		1/4 LOCK WASHER (SS316)	33	
16	205159		SAC DE PLASTIQUE 5" X 8"	1	

COV-LEG-HARDWARE KIT- ROOF (ITEM 5A & 5B)



ITEM #	PART # (MOCHA)	PART # (SLATE)	DESCRIPTION	15' OR SMALLER/ QTY	16' OR LARGER/ QTY
17	209345		#8-15 X 1/2"(PAN HEAD PHILLIPS #2 - SS 18-8)	25	
18	209309		1/4-20 (NYLON LOCK-S.S.18-8)	13	21
19	211559		1/4-20-1 (BUTTON HEAD SOCKET CAP SCREW SS 18-8)	17	
20	209188		1/4-20-5/8 (CARRIAGE - SS 18-8)	13	21
21	210995	210996	#10-24-1/2 PHILLIPS THREAD CUTING SCREW ZINC	17	
22	205159		SAC DE PLASTIQUE 5" X 8"	1	
24	209186		1/4-20-1/2 (PAN HEAD PHILLIPS #3 - SS 18-8)	13	21

COVANA		TITLE COV-LEG-HARDWARE KIT			
DRUMMONDVILLE, QUEBEC, CANADA TEL: (819)477-1335, (877)278-8010 FAX: (819)477-7212		TOLERANCES (IF NOT SPECIFIED)	MATERIAL	APPROX. WEIGHT:	FINISH
ARTICLE CODE: SEE PAGE 2		N/A	N/A	N/A	N/A
DRAWN BY: J-S.G.	CHECK BY: S.D.	APP. BY: M.L.	DATE (YYYY/MM/DD) 2015/02/04	SCALE N.T.S.	DWG # LEGEND-PB1
			REV. -	PAGE 2/3	

COV-LEG-HARDWARE KIT- POST (ITEM #4)

ARTICLE CODE	DESCRIPTION
209820	COV-LEG-HARDWARE KIT-POSTS-MOCHA
209222	COV-LEG-HARDWARE KIT-POSTS-SLATE


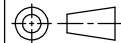
COV-LEG-HARDWARE KIT- ROOF (ITEM 5A & 5B)

ARTICLE CODE	DESCRIPTION
211299	COV-LEG-HARDWARE KIT-ROOF 15' OR SMALLER-MOCHA
211300	COV-LEG-HARDWARE KIT-ROOF 15' OR SMALLER-SLATE
211301	COV-LEG-HARDWARE KIT-ROOF 16' OR LARGER-MOCHA
211302	COV-LEG-HARDWARE KIT-ROOF 16' OR LARGER-SLATE

COV-LEG-HARDWARE KIT (COMPLETE KITS)

ARTICLE CODE	DESCRIPTION
209283	COV-LEG-HARDWARE KIT 15' OR SMALLER-MOCHA
209284	COV-LEG-HARDWARE KIT 16' OR LARGER-MOCHA
209223	COV-LEG-HARDWARE KIT 15' OR SMALLER-SLATE
209894	COV-LEG-HARDWARE KIT 16' OR LARGER-SLATE

OK PRODUCTION
 INIT.: _____
 DATE: _____

 DRUMMONDVILLE, QUEBEC, CANADA TEL: (819)477-1335, (877)278-8010 FAX: (819)477-7212		TITLE COV-LEG-HARDWARE KIT					
		TOLERANCES (IF NOT SPECIFIED)	MATERIAL	APPROX. WEIGHT:	FINISH		
ARTICLE CODE:	SEE TABLE	N/A	N/A	N/A	N/A		
DRAWN BY:	CHECK BY:	APP. BY:	DATE (YYYY/MM/DD)	SCALE	DWG #	REV.	PAGE
J-S. G.	S.D.	M.L.	2015/02/04	 N.T.S.	LEGEND-PB1	-	3/3

COV-LEG-PARTS BOX #2-ESC.H.

15' OR SMALLER-MOCHA : 209248

15' OR SMALLER-SLATE : 209711

16' OR LARGER-MOCHA : 209249

16' OR LARGER-SLATE : 209716

COV-LEG-PARTS BOX #2-ESC.H. W/ SOLAR PANEL

(ITEM 13 REQUIRED)

15' OR SMALLER-MOCHA : 213275

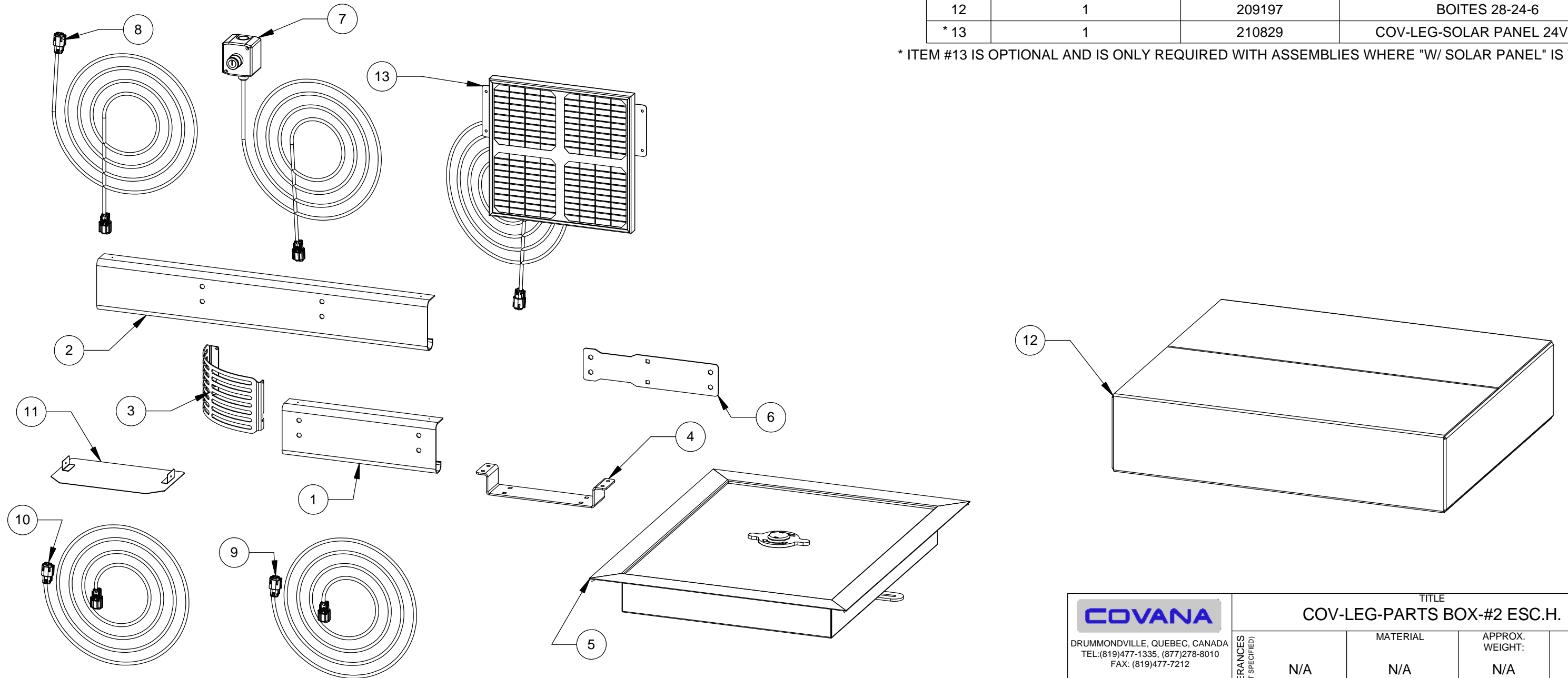
15' OR SMALLER-SLATE : 213276

16' OR LARGER-MOCHA : 213277

16' OR LARGER-SLATE : 213278

ITEM #	15' OR SMALLER/ QTY.	16' OR LARGER/ QTY.	PART # (MOCHA)	PART # (SLATE)	DESCRIPTION
1	4	0	210073	210074	COV-LEG-JOINT SUPPORT BRACKET
2	0	4	210992	210993	COV-LEG-LONG JOINT SUPPORT BRACKET
3		4	210066	210067	COV-LEG-CORNER OUTSIDE BRACKET
4		4	210070	210071	COV-LEG-COVER MOUNT BRACKET
5		1	209247		COV-LEG-ESCAPE HATCH DOOR
6		4	209149		COV-LEG-11" C-CHANNEL CONNECTION
7		1	209381		COV-LEG-KEYSWITCH ASS'Y WITH CABLE
8		1	209245		EH-COV-LEG-20'6"-EM CABLE
9	1	0	209246		EH-COV-LEG-9' - EM CABLE
10	0	1	211195	211195	EH-COV-LEG-25' - EM CABLE
11		4	209209	209271	COV-LEG-SLEEVE ASS'Y TOP PLATE
12		1	209197		BOITES 28-24-6
* 13		1	210829		COV-LEG-SOLAR PANEL 24V 10W

* ITEM #13 IS OPTIONAL AND IS ONLY REQUIRED WITH ASSEMBLIES WHERE "W/ SOLAR PANEL" IS WRITTEN.



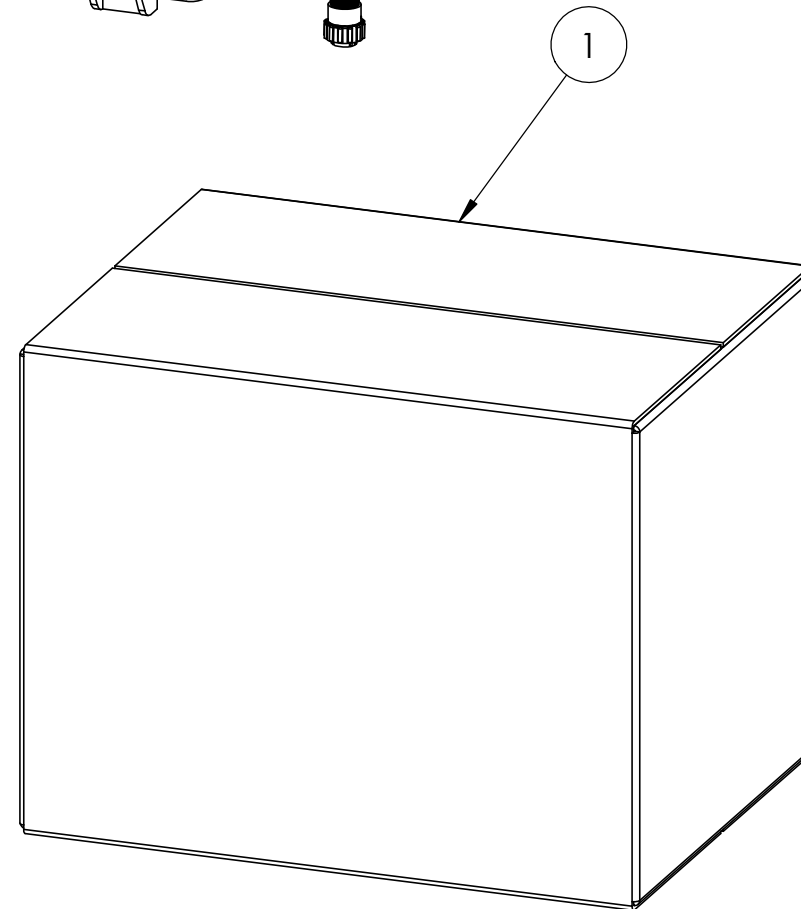
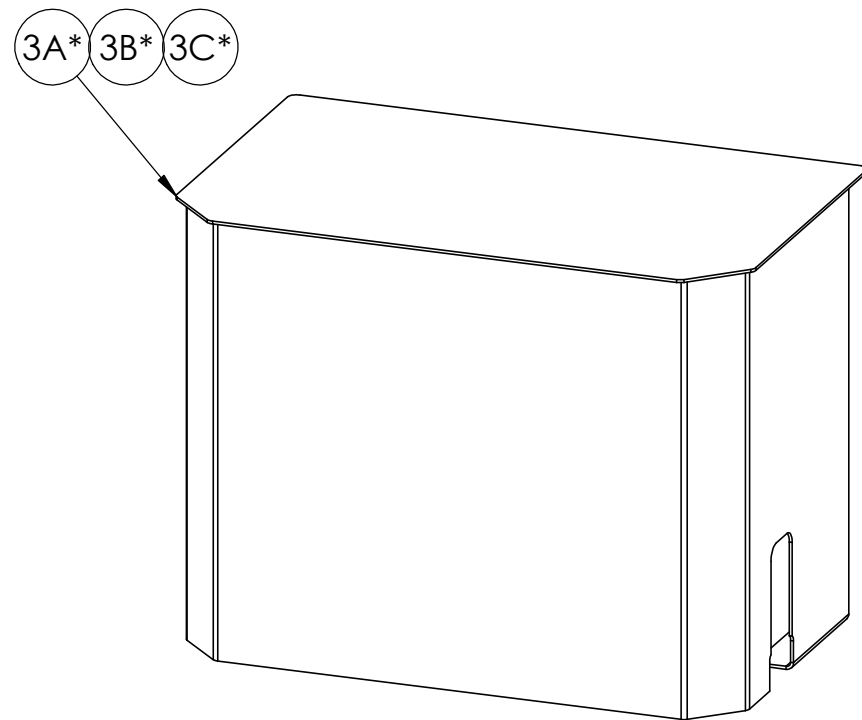
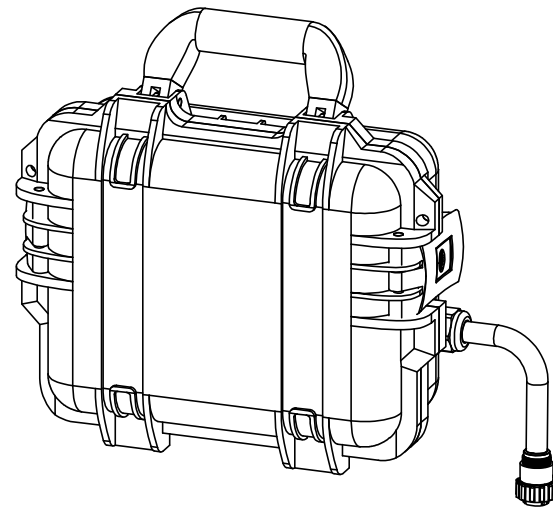
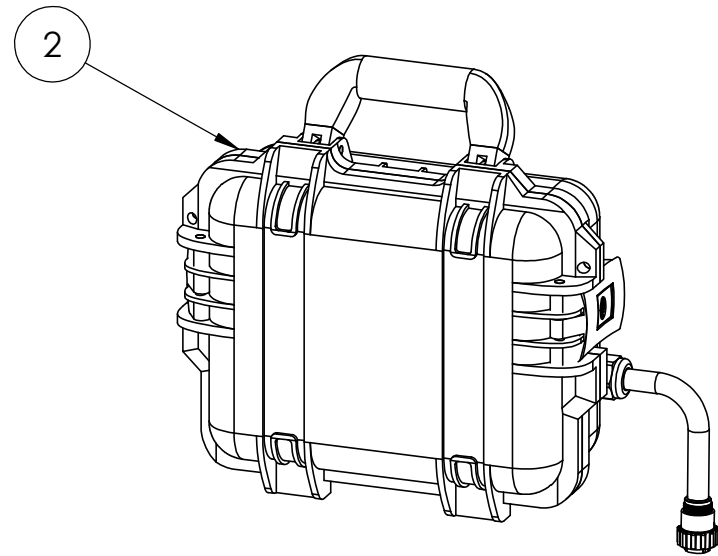
LEGEND-PB2

 DRUMMONDVILLE, QUEBEC, CANADA TEL: (819)477-1335, (877)278-8010 FAX: (819)477-7212		TITLE COV-LEG-PARTS BOX-#2 ESC.H.			
		TOLERANCES (IF NOT SPECIFIED)	MATERIAL	APPROX. WEIGHT:	FINISH
ARTICLE CODE: SEE TABLE	N/A	N/A	N/A	N/A	
DRAWN BY: J-S.G. CHECK BY: S.D. APP. BY: M.L.	DATE (YYYY/MM/DD): 2015/01/15	SCALE: N.T.S.	DWG #: LEGEND-PB2	REV.: - PAGE: 1/1	

NO	DATE	REVISION	BY	APP

ITEM #	QTE	PART # (MOCHA)	PART # (SLATE)	DESCRIPTION
1	1	213344		BOITES 17-13-13
2	2	215732		COV-LEG-24V/12AH-BATTERY PACK
3A*	1	211104	211106	COV-LEG-POWER BOX ASS'Y
3B*	1	213345	213346	COV-LEG-POWER BOX ASS'Y-W/SOLAR
3C*	1	214382	214383	COV-LEG-POWER BOX ASS'Y-HYBRID

*FOR ITEM 3A, 3B & 3C ONLY ONE OPTION IS REQUIRED, WITHOUT (3A), WITH (3B) SOLAR PANEL OR HYBRID (3C).



**COV-LEG-PARTS BOX #3-POWER BOX
(USE ITEM 3A)**
MOCHA : 211317
SLATE : 211318

**COV-LEG-PARTS BOX #3-POWER BOX-
W/SOLAR PANEL (USE ITEM 3B)**
MOCHA : 213816
SLATE : 213817

**COV-LEG-PARTS BOX #3-POWER BOX-
HYBRID (USE ITEM 3C)**
MOCHA : 214385
SLATE : 214386

NOTE:
ONLY ONE BATTERY PACK (ITEM 2) WILL BE IN USE
WHILE THE OTHER ONE WILL BE CHARGING.

		TITLE			
		COV-LEG-PARTS BOX #3-POWER BOX			
DRUMMONDVILLE, QUEBEC, CANADA TEL: (819)477-1335, (877)278-8010 FAX: (819)477-7212	TOLERANCES (IF NOT SPECIFIED)	MATERIAL	APPROX. WEIGHT:	FINISH	
ARTICLE CODE: SEE TABLE	N/A	N/A	N/A	N/A	
DRAWN BY: J-S.G.	CHECK BY: S.D.	APP. BY: M.L.	DATE (YYYY/MM/DD)	SCALE	DWG #
			2015/02/18	N.T.S.	LEGEND-PB3
				REV.	PAGE
				-	1/1

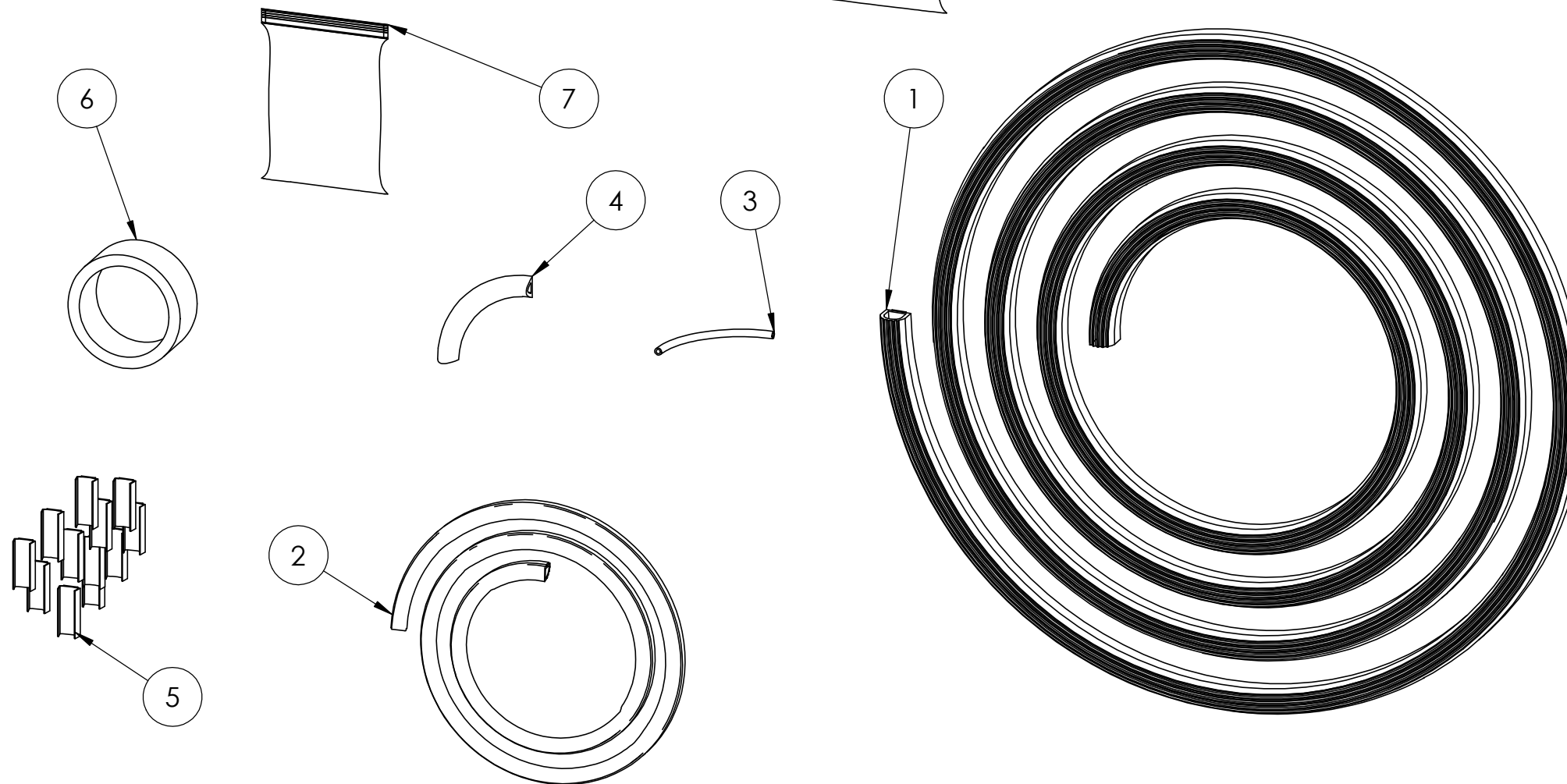
COV-LEG-SEAL BAG

ITEM #	PART # (MOCHA)	PART # (SLATE)	QTY	DESCRIPTION
1	209547		SEE TABLE	COV-LEG-SEAL 1" PROFILE 2828W RAW
2	209178		4	COV-LEG-ALL WEATHER SEAL
3	209335		4	COV-LEG-1/4 X 2" PVC PIPE
4	207082		1	COV-GEN-SEAL INSERT 2 1/2"
5	204246		2	COV-GEN-MOUNTING CLIP SEAL
6	213357		2	COV-GEN-MASKING TAPE
7	189501		1	SAC DE PLASTIQUE 4" X 6"(0.004")
8	209180		1	COV-LEG-SEAL BAG 20"X30"



SEAL LENGTH

PART #	MODEL	LENGTH
209355	12'	40'
209356	13'	42'
209357	14'	44'
209358	15'	46'
209359	16'	48'
209360	17'	50'
209361	18'	52'
209362	19'	54'
209363	20'	56'



 DRUMMONDVILLE, QUEBEC, CANADA TEL: (819)477-1335, (877)278-8010 FAX: (819)477-7212		TITLE COV-LEG-SEAL					
		TOLERANCES (IF NOT SPECIFIED)	MATERIAL	APPROX. WEIGHT:	FINISH		
ARTICLE CODE: SEE TABLE	N/A	N/A	N/A	N/A			
DRAWN BY: J-S.G.	CHECK BY: S.D.	APP. BY: M.L.	DATE (YYYY/MM/DD) 2015/02/18	SCALE N.T.S.	DWG # LEGEND-SB1	REV. -	PAGE 1/1