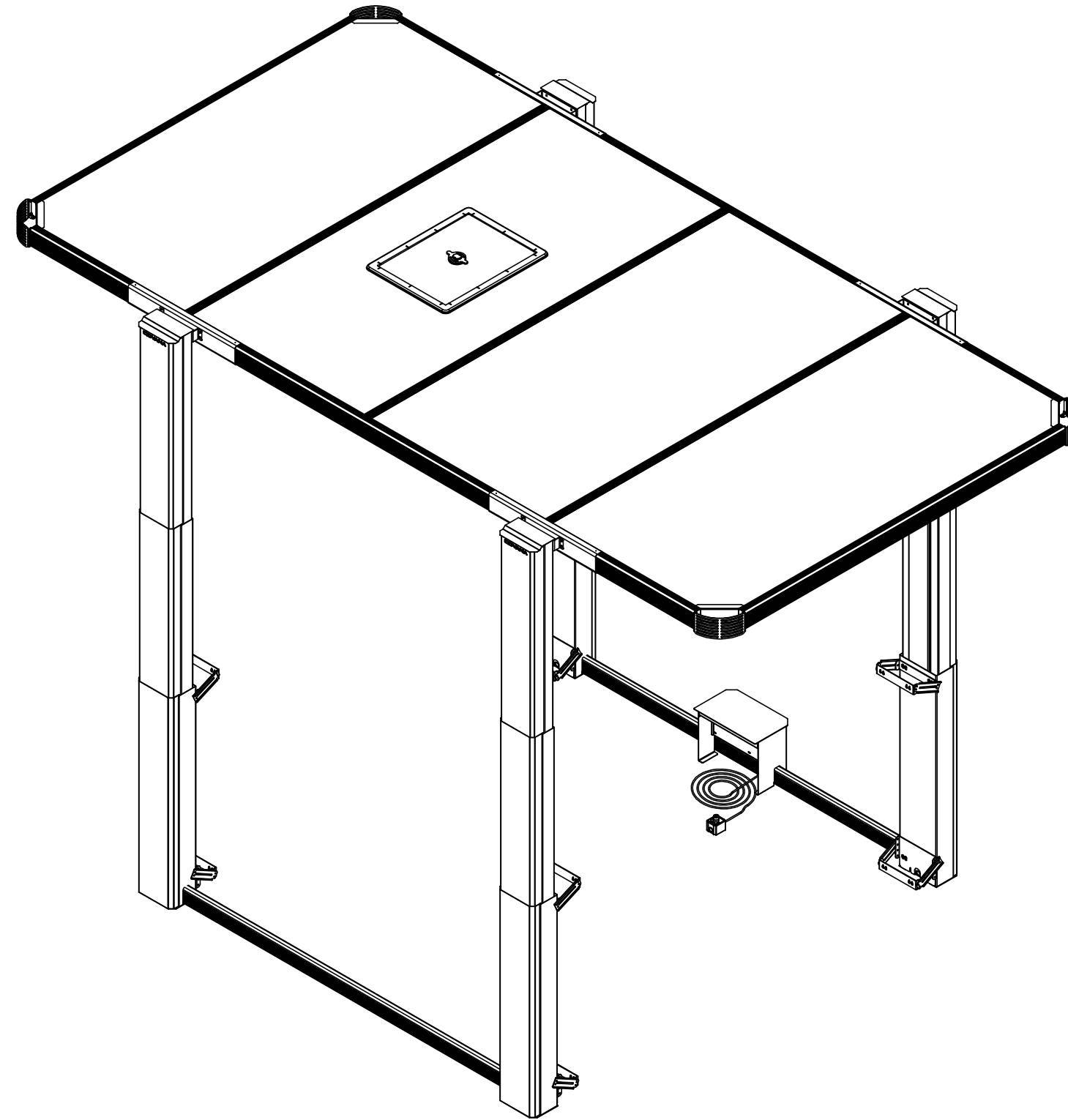
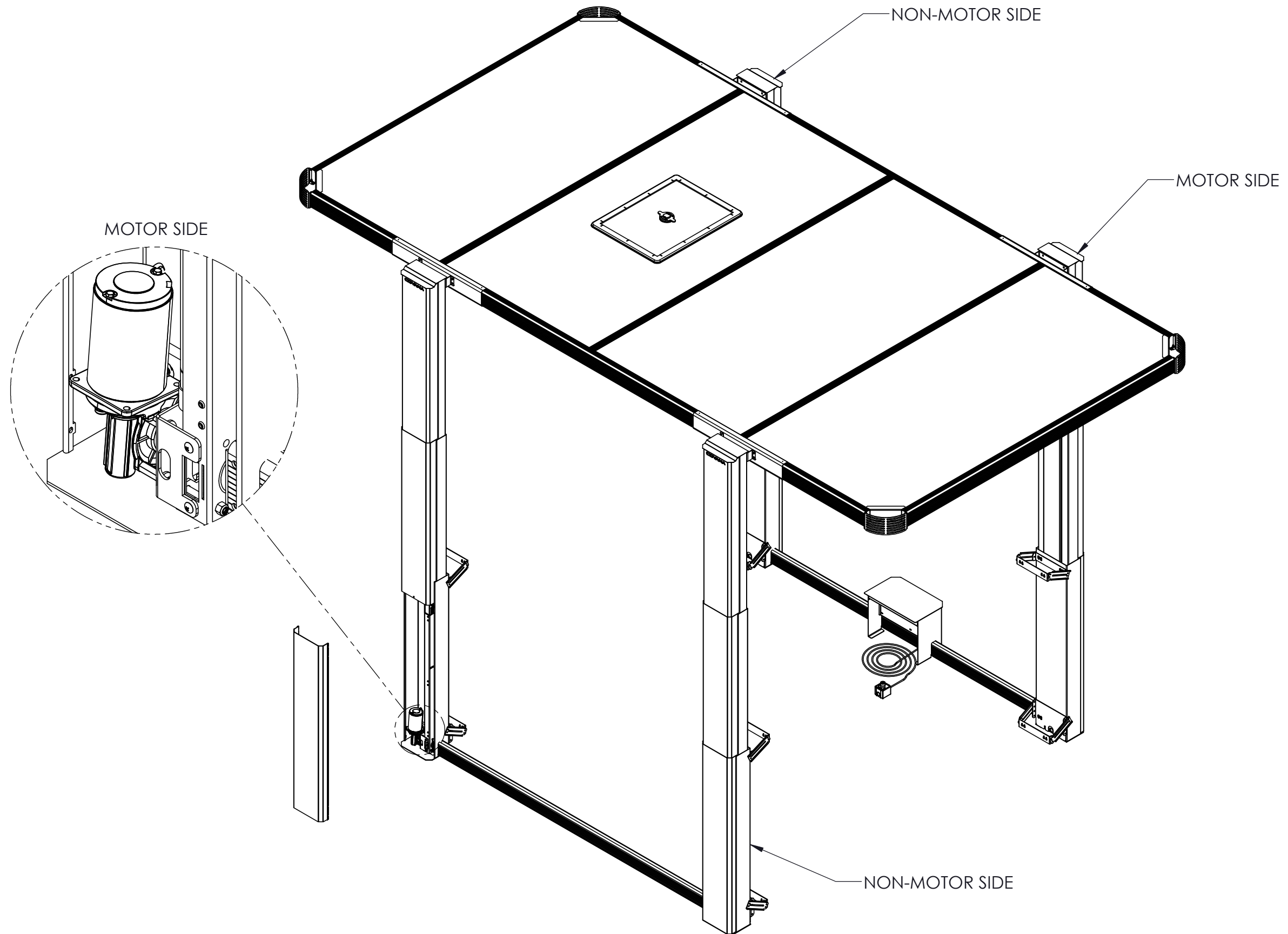


LEGEND PARTS CATALOG 2019

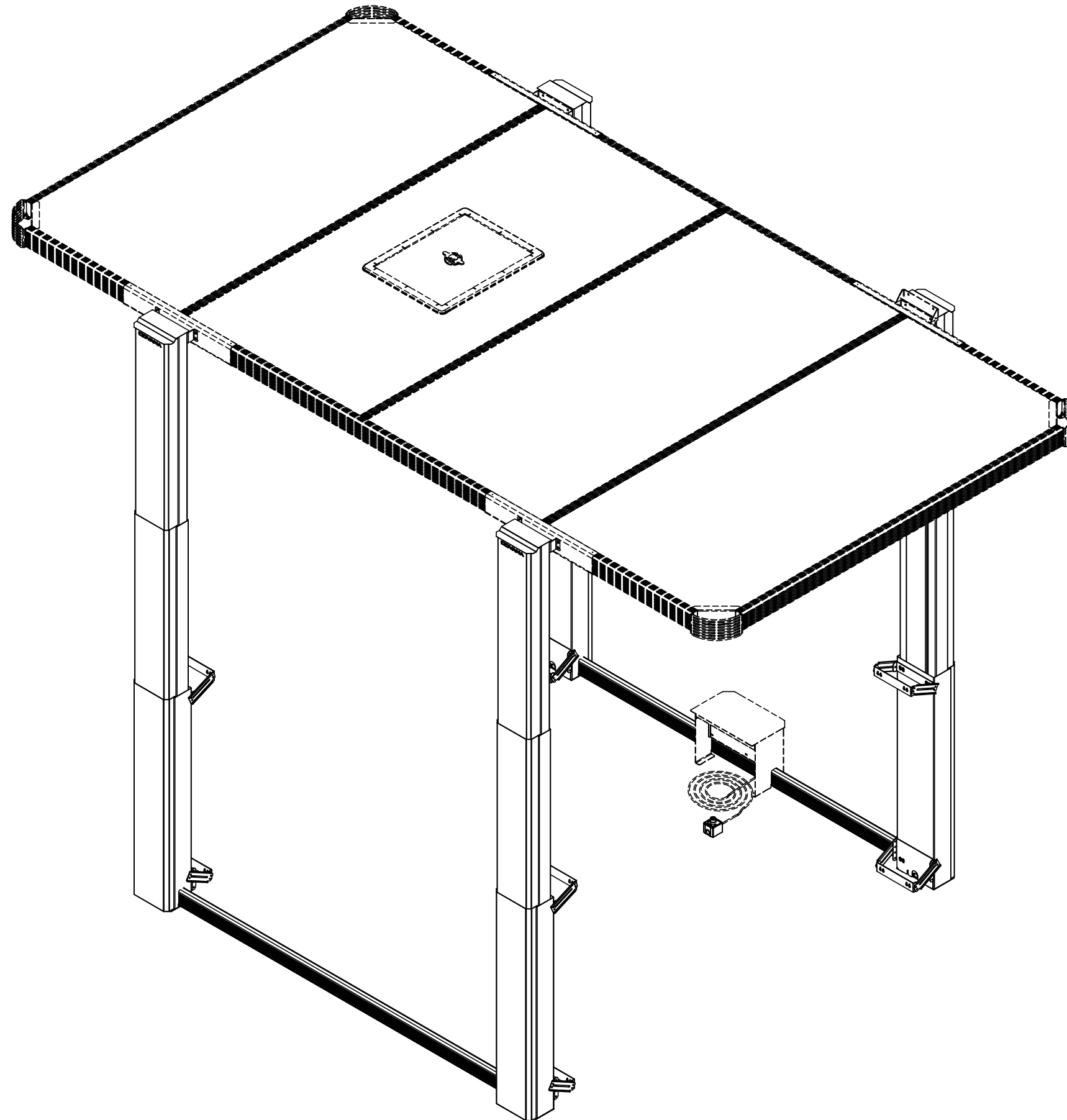


	SECTION	PAGE
1	TOTAL ASSEMBLY	2
2	SLEEVE ASSEMBLY	3
3	JACKS ASSEMBLY	8
4	COVER ASSEMBLY	14
5	POWER BOX & KEY SWITCH ASSEMBLY	22
6	SPECIAL PACKS	26

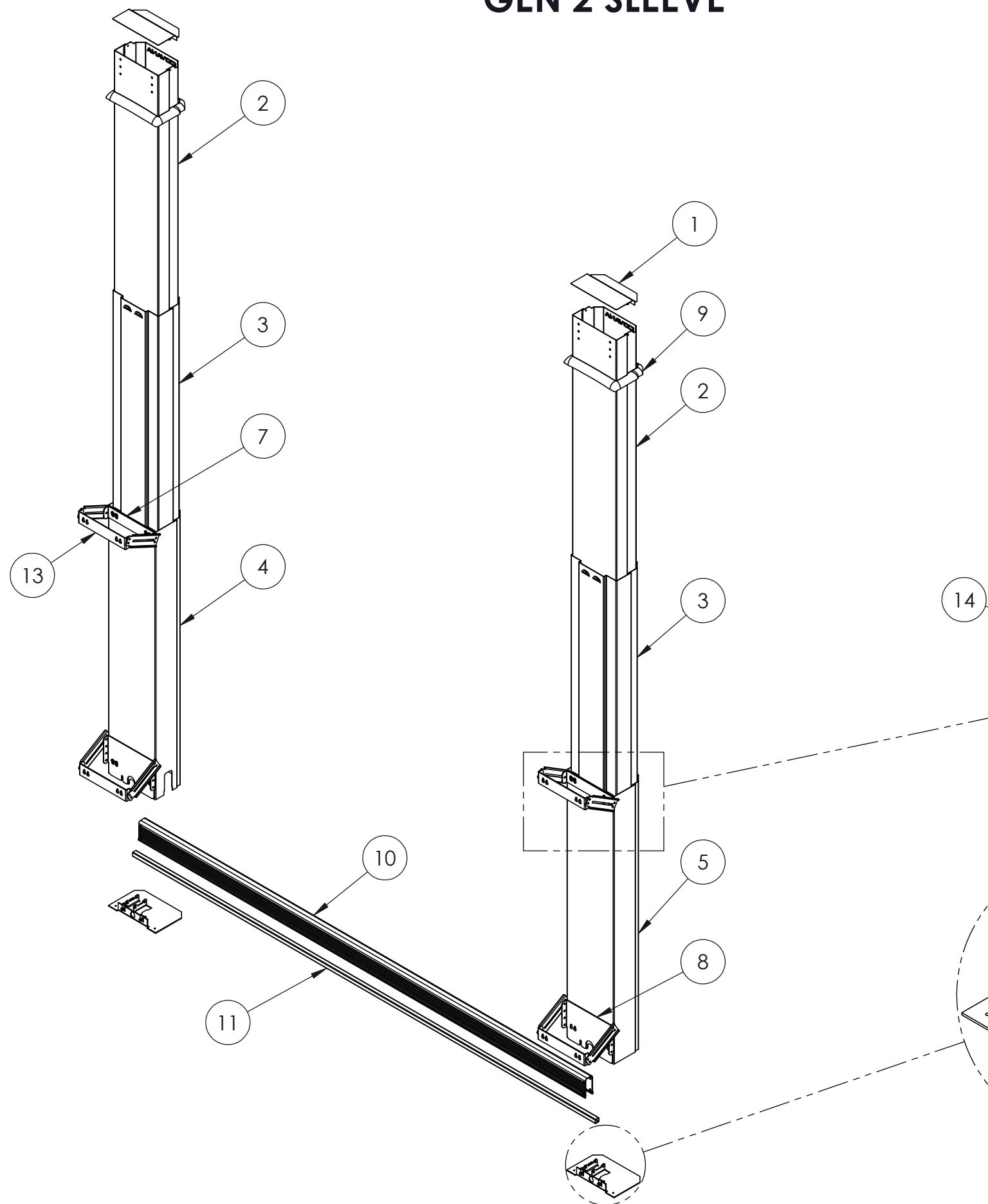
SECTION 1: TOTAL ASSEMBLY



SECTION 2: SLEEVE ASSEMBLY



GEN 2 SLEEVE



ITEM #	DESCRIPTION	PART NUMBER	CATALOG PAGE
1	COV-LEG-SLEEVE ASS'Y TOP PLATE-GEN2	SEE GEN 2 TOP PLATE PACK	7
2	COV-LEG-SLEEVE INNER-GEN 2	SEE GEN 2 MOTOR SLEEVE PACK OR GEN 2 NON MOTOR SLEEVE PACK	5
3	COV-LEG-SLEEVE MIDDLE-GEN2	SEE GEN 2 MOTOR SLEEVE PACK OR GEN 2 NON MOTOR SLEEVE PACK	5
4	COV-LEG-SLEEVE OUTER MOTOR-GEN 2	SEE GEN 2 MOTOR SLEEVE PACK	5
5	COV-LEG-SLEEVE OUTER NON MOTOR-GEN 2	SEE GEN 2 NON MOTOR SLEEVE PACK	5
6	COV-LEG-FOOT ASS'Y	SEE FOOT PLATE PACK	6
7	COV-LEG-BRACKET TUB MOUNT	SEE GEN 2 SLEEVE BRACKET PACK	6
8	COV-LEG-LOWER TUB MOUNT BRACKET	SEE GEN 2 SLEEVE BRACKET PACK	6
9	COV-LEG-ALL WEATHER SEAL-MOLDED-BLACK	SEE MOLDED ALL WEATHER SEAL PACK	7
10	COV-GEN-FRAME-86-38-2.5-2337-W/HOLES	SEE U-FRAME PACK	7
11	COV-GEN-TUBE-DRIVE SHAFT	SEE DRIVE SHAFT PACK	7
12	COV-LEG-BRACKET TUB MOUNT ARM	SEE TUB MOUNT BRACKET PACK OR EXTENDED TUB MOUNT BRACKET PACK	6
13	COV-LEG-BRACKET TUB MOUNT	SEE TUB MOUNT BRACKET PACK	6
14	COV-LEG-BRACKET TUB MOUNT-EXTENDED	SEE EXTENDED TUB MOUNT BRACKET PACK OR EXTENDED BRACKET PACK	6 OR 27

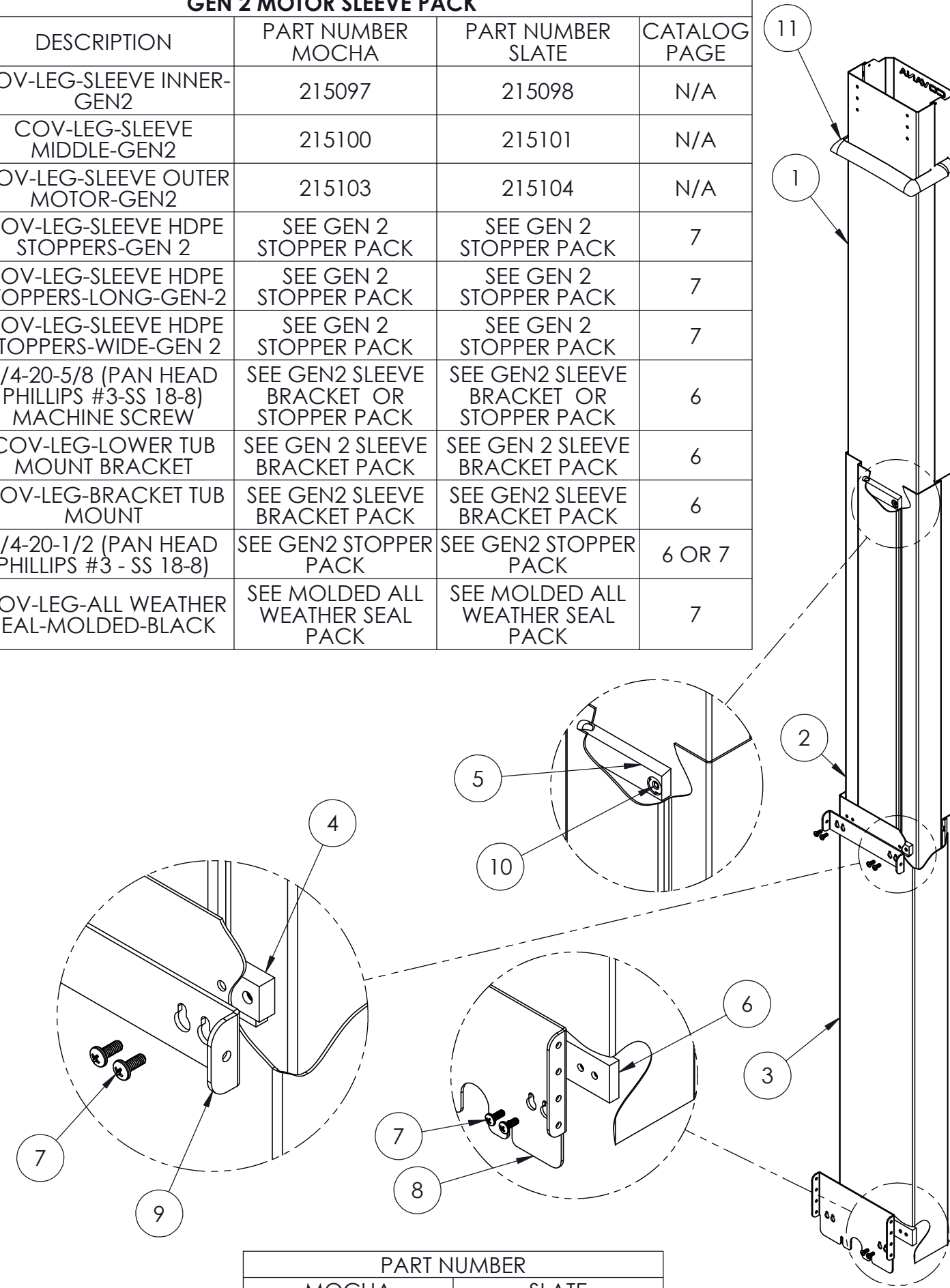
OPTIONAL EXTENDED TUB MOUNT BRACKET

GEN 2 MOTOR SLEEVE PACK

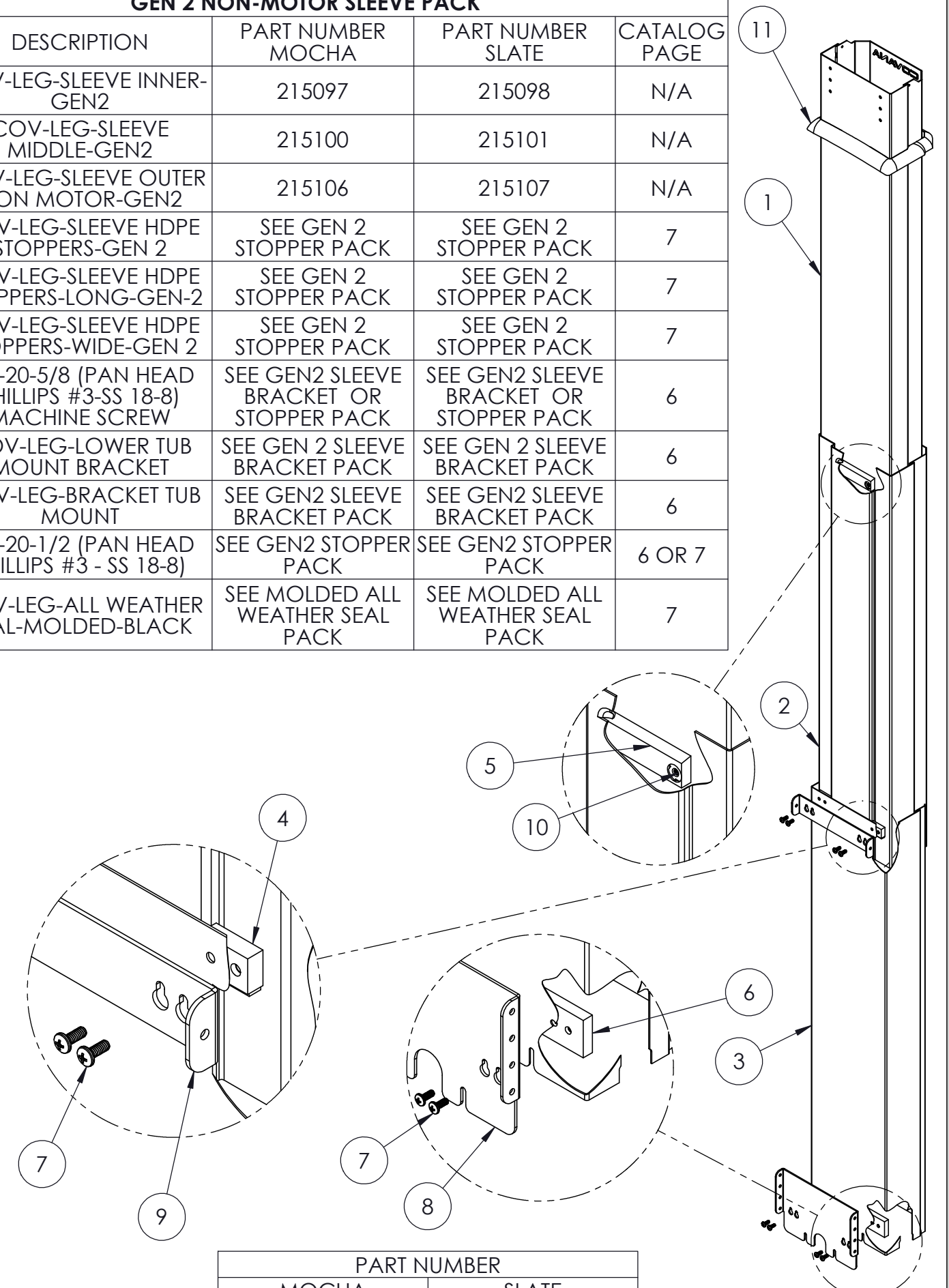
ITEM #	DESCRIPTION	PART NUMBER MOCHA	PART NUMBER SLATE	CATALOG PAGE
1	COV-LEG-SLEEVE INNER-GEN2	215097	215098	N/A
2	COV-LEG-SLEEVE MIDDLE-GEN2	215100	215101	N/A
3	COV-LEG-SLEEVE OUTER MOTOR-GEN2	215103	215104	N/A
4	COV-LEG-SLEEVE HDPE STOPPERS-GEN 2	SEE GEN 2 STOPPER PACK	SEE GEN 2 STOPPER PACK	7
5	COV-LEG-SLEEVE HDPE STOPPERS-LONG-GEN-2	SEE GEN 2 STOPPER PACK	SEE GEN 2 STOPPER PACK	7
6	COV-LEG-SLEEVE HDPE STOPPERS-WIDE-GEN 2	SEE GEN 2 STOPPER PACK	SEE GEN 2 STOPPER PACK	7
7	1/4-20-5/8 (PAN HEAD PHILLIPS #3-SS 18-8) MACHINE SCREW	SEE GEN2 SLEEVE BRACKET OR STOPPER PACK	SEE GEN2 SLEEVE BRACKET OR STOPPER PACK	6
8	COV-LEG-LOWER TUB MOUNT BRACKET	SEE GEN 2 SLEEVE BRACKET PACK	SEE GEN 2 SLEEVE BRACKET PACK	6
9	COV-LEG-BRACKET TUB MOUNT	SEE GEN2 SLEEVE BRACKET PACK	SEE GEN2 SLEEVE BRACKET PACK	6
10	1/4-20-1/2 (PAN HEAD PHILLIPS #3 - SS 18-8)	SEE GEN2 STOPPER PACK	SEE GEN2 STOPPER PACK	6 OR 7
11	COV-LEG-ALL WEATHER SEAL-MOLDED-BLACK	SEE MOLDED ALL WEATHER SEAL PACK	SEE MOLDED ALL WEATHER SEAL PACK	7

GEN 2 NON-MOTOR SLEEVE PACK

ITEM #	DESCRIPTION	PART NUMBER MOCHA	PART NUMBER SLATE	CATALOG PAGE
1	COV-LEG-SLEEVE INNER-GEN2	215097	215098	N/A
2	COV-LEG-SLEEVE MIDDLE-GEN2	215100	215101	N/A
3	COV-LEG-SLEEVE OUTER NON MOTOR-GEN2	215106	215107	N/A
4	COV-LEG-SLEEVE HDPE STOPPERS-GEN 2	SEE GEN 2 STOPPER PACK	SEE GEN 2 STOPPER PACK	7
5	COV-LEG-SLEEVE HDPE STOPPERS-LONG-GEN-2	SEE GEN 2 STOPPER PACK	SEE GEN 2 STOPPER PACK	7
6	COV-LEG-SLEEVE HDPE STOPPERS-WIDE-GEN 2	SEE GEN 2 STOPPER PACK	SEE GEN 2 STOPPER PACK	7
7	1/4-20-5/8 (PAN HEAD PHILLIPS #3-SS 18-8) MACHINE SCREW	SEE GEN2 SLEEVE BRACKET OR STOPPER PACK	SEE GEN2 SLEEVE BRACKET OR STOPPER PACK	6
8	COV-LEG-LOWER TUB MOUNT BRACKET	SEE GEN 2 SLEEVE BRACKET PACK	SEE GEN 2 SLEEVE BRACKET PACK	6
9	COV-LEG-BRACKET TUB MOUNT	SEE GEN2 SLEEVE BRACKET PACK	SEE GEN2 SLEEVE BRACKET PACK	6
10	1/4-20-1/2 (PAN HEAD PHILLIPS #3 - SS 18-8)	SEE GEN2 STOPPER PACK	SEE GEN2 STOPPER PACK	6 OR 7
11	COV-LEG-ALL WEATHER SEAL-MOLDED-BLACK	SEE MOLDED ALL WEATHER SEAL PACK	SEE MOLDED ALL WEATHER SEAL PACK	7

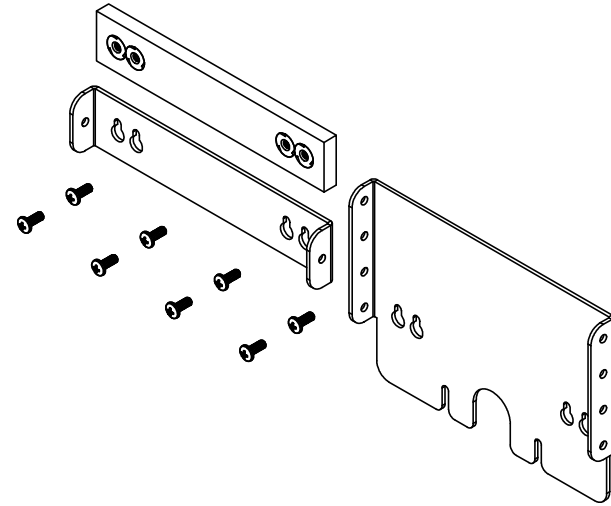


PART NUMBER	
MOCHA	SLATE
226677	226678



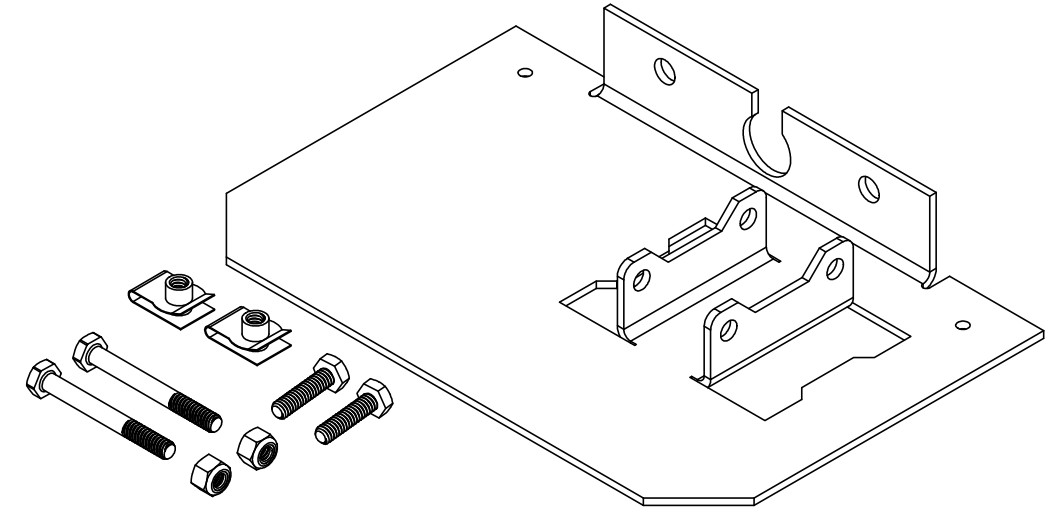
PART NUMBER	
MOCHA	SLATE
226679	226680

GEN 2 SLEEVE BRACKET PACK	
DESCRIPTION	QTY.
COV-LEG-LOWER TUB MOUNT BRACKET	1
1/4-20-5/8 (PAN HEAD PHILLIPS #3-SS 18-8) MACHINE SCREW	8
COV-LEG-BRACKET TUB MOUNT	1
COV-LEG-SLEEVE HDPE STOPPERS-WIDE-GEN 2	1



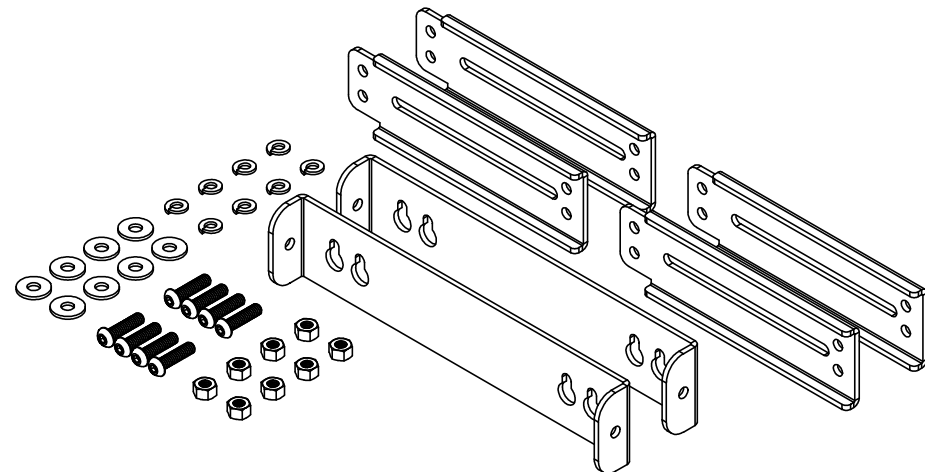
PART NUMBER	
MOCHA	SLATE
230426	230427

FOOT PLATE PACK	
DESCRIPTION	QTY.
COV-LEG-FOOT	1
1/4-20-1 HEX CAP SCREW SS 18-8	2
1/4-20(PANEL NUT)	2
1/4-20x2 1/4" HEX CAP SCREW	2
1/4-20 NYLON LOCK NUT-Z/P	2



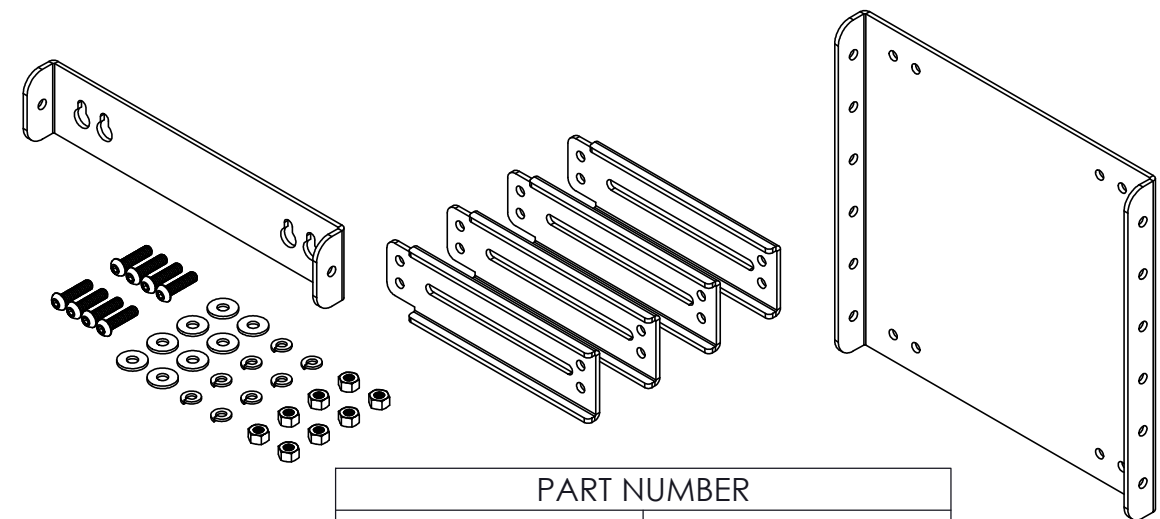
PART NUMBER	
MOCHA	SLATE
225789	225857

TUB MOUNT BRACKET PACK	
DESCRIPTION	QTY.
COV-LEG-BRACKET TUB MOUNT ARM	4
COV-LEG-BRACKET TUB MOUNT	2
1/4-20-1 (BUTTON HEAD SOCKET CAP SCREW SS 18-8)	8
1/4 FLAT (OD 0.625" S.S.316)	8
1/4-20 (HEX NUT SS 316)	8
1/4 LOCK WASHER (SS 316)	8



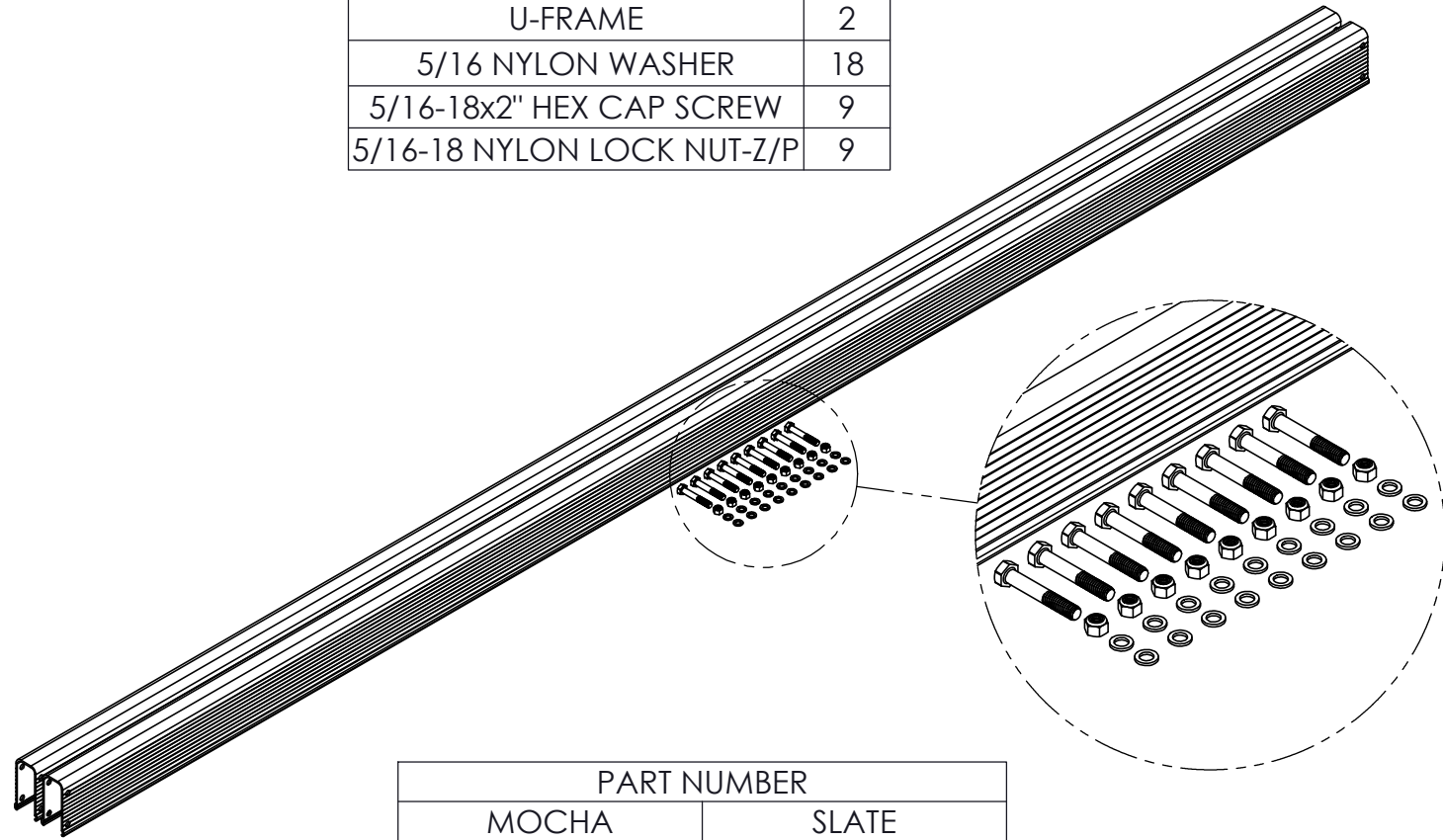
PART NUMBER	
MOCHA	SLATE
226684	226685

EXTENDED TUB MOUNT BRACKET PACK	
DESCRIPTION	QTY.
COV-LEG-BRACKET TUB MOUNT ARM	4
COV-LEG-BRACKET TUB MOUNT	1
1/4-20-1 (BUTTON HEAD SOCKET CAP SCREW SS 18-8)	8
1/4 FLAT (OD 0.625" S.S.316)	8
1/4-20 (HEX NUT SS 316)	8
1/4 LOCK WASHER (SS 316)	8
COV-LEG-BRACKET TUB MOUNT-EXTENDED	1



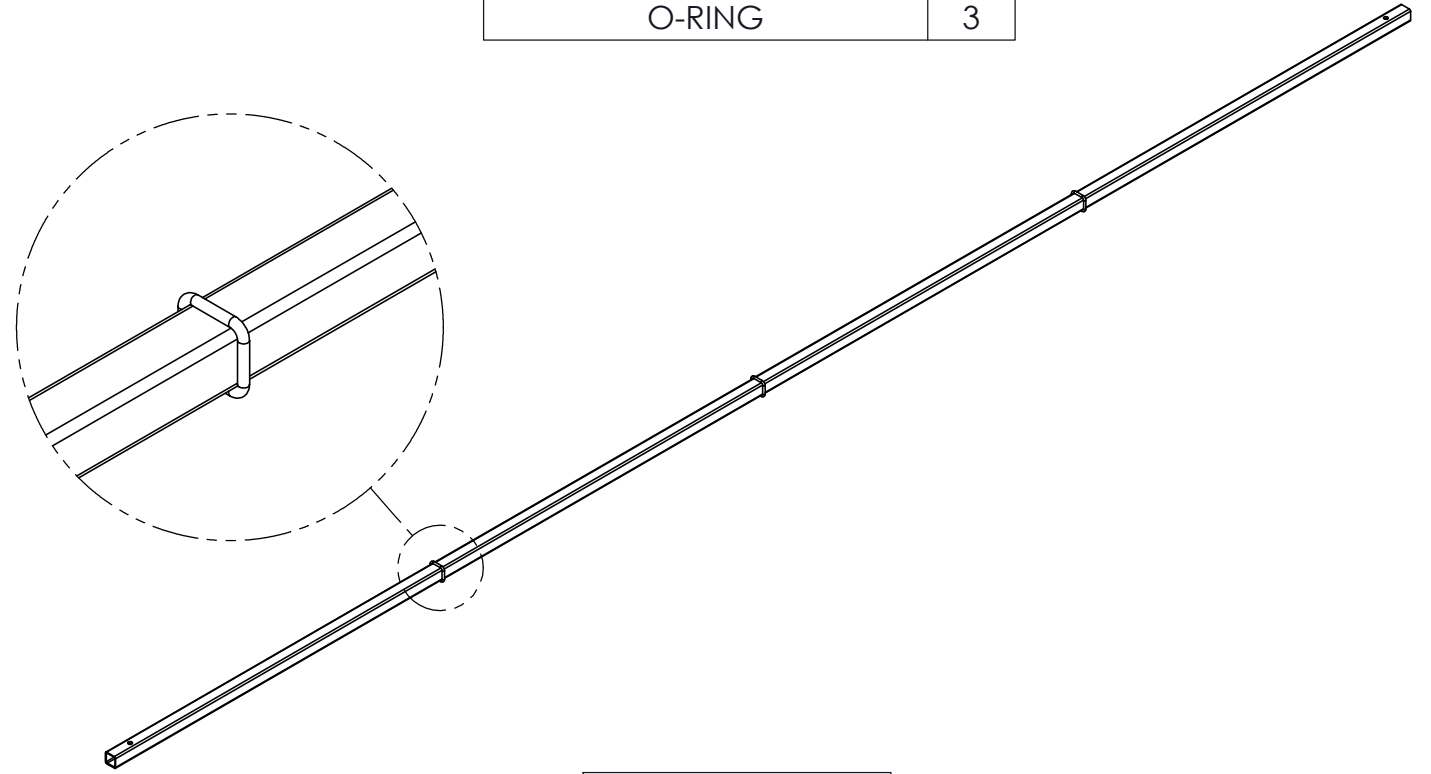
PART NUMBER	
MOCHA	SLATE
226686	226687

U-FRAME PACK	
DESCRIPTION	QTY.
U-FRAME	2
5/16 NYLON WASHER	18
5/16-18x2" HEX CAP SCREW	9
5/16-18 NYLON LOCK NUT-Z/P	9



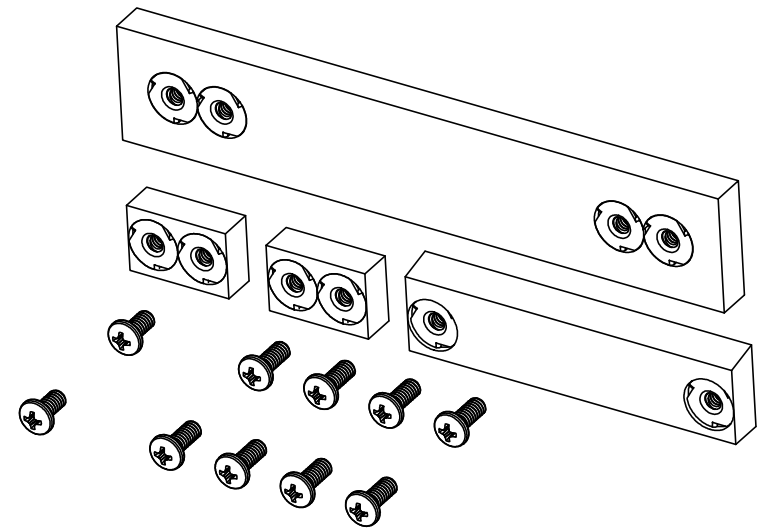
PART NUMBER	
MOCHA	SLATE
226513	226514

DRIVE SHAFT PACK	
DESCRIPTION	QTY.
COV-GEN-TUBE-DRIVE SHAFT	1
O-RING	3



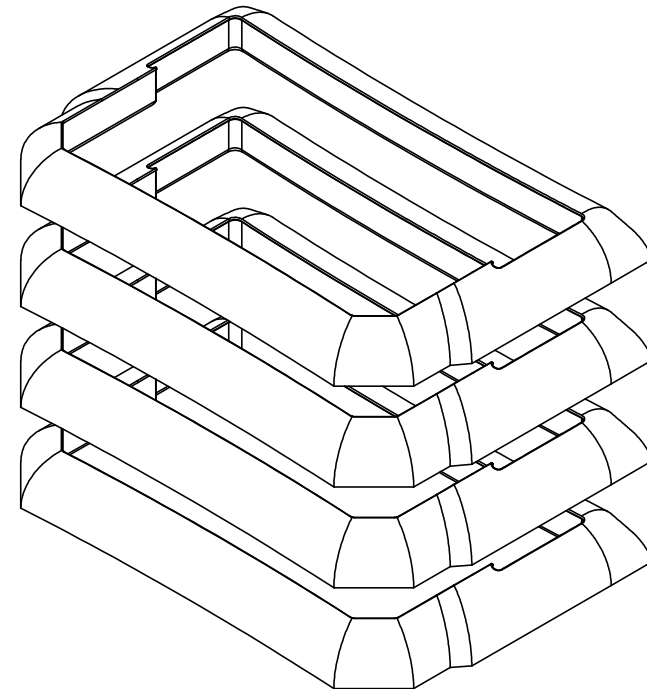
PART NUMBER	
203888	

GEN 2 STOPPER PACK	
DESCRIPTION	QTY.
COV-LEG-SLEEVE HDPE STOPPERS-GEN 2	2
COV-LEG-SLEEVE HDPE STOPPERS-LONG-GEN-2	1
COV-LEG-SLEEVE HDPE STOPPERS-WIDE-GEN 2	1
1/4-20-5/8 (PAN HEAD PHILLIPS #3-SS 18-8) MACHINE SCREW	8
1/4-20-1/2 (PAN HEAD PHILLIPS #3 - SS 18-8)	2



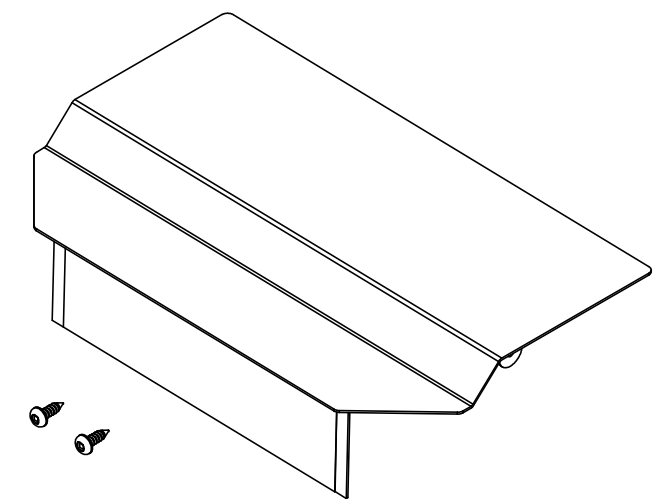
PART NUMBER	
226691	

MOLDED ALL WEATHER SEAL PACK	
DESCRIPTION	QTY.
COV-LEG-ALL WEATHER SEAL- MOLDED-BLACK	4



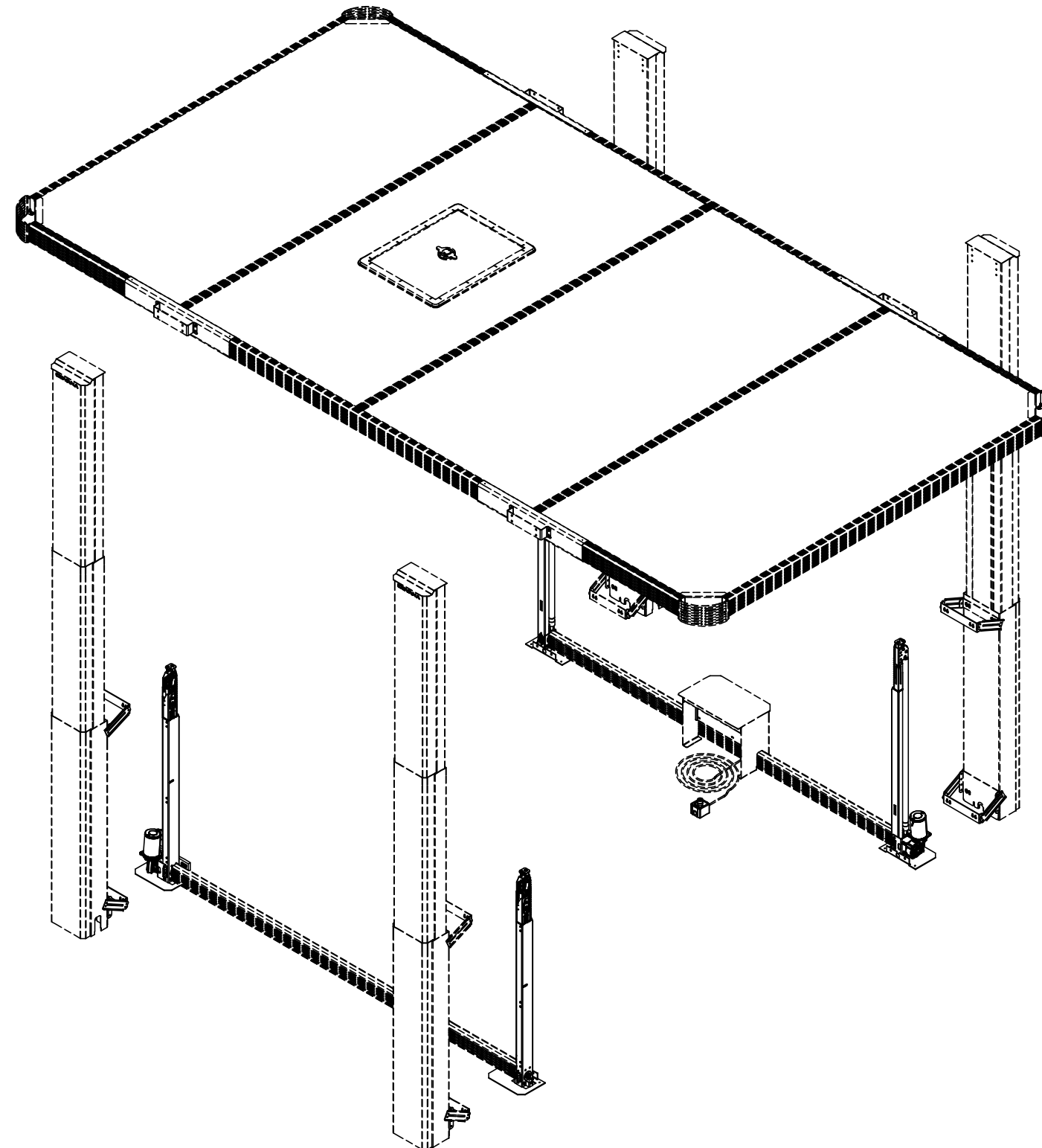
PART NUMBER	
233453	

GEN 2 TOP PLATE PACK	
DESCRIPTION	QTY.
#8 X 3/4"RHSD SLFTP SCREW-Z/P	2
SLEEVE GEN 2 TOP PLATE-ASS'Y	1



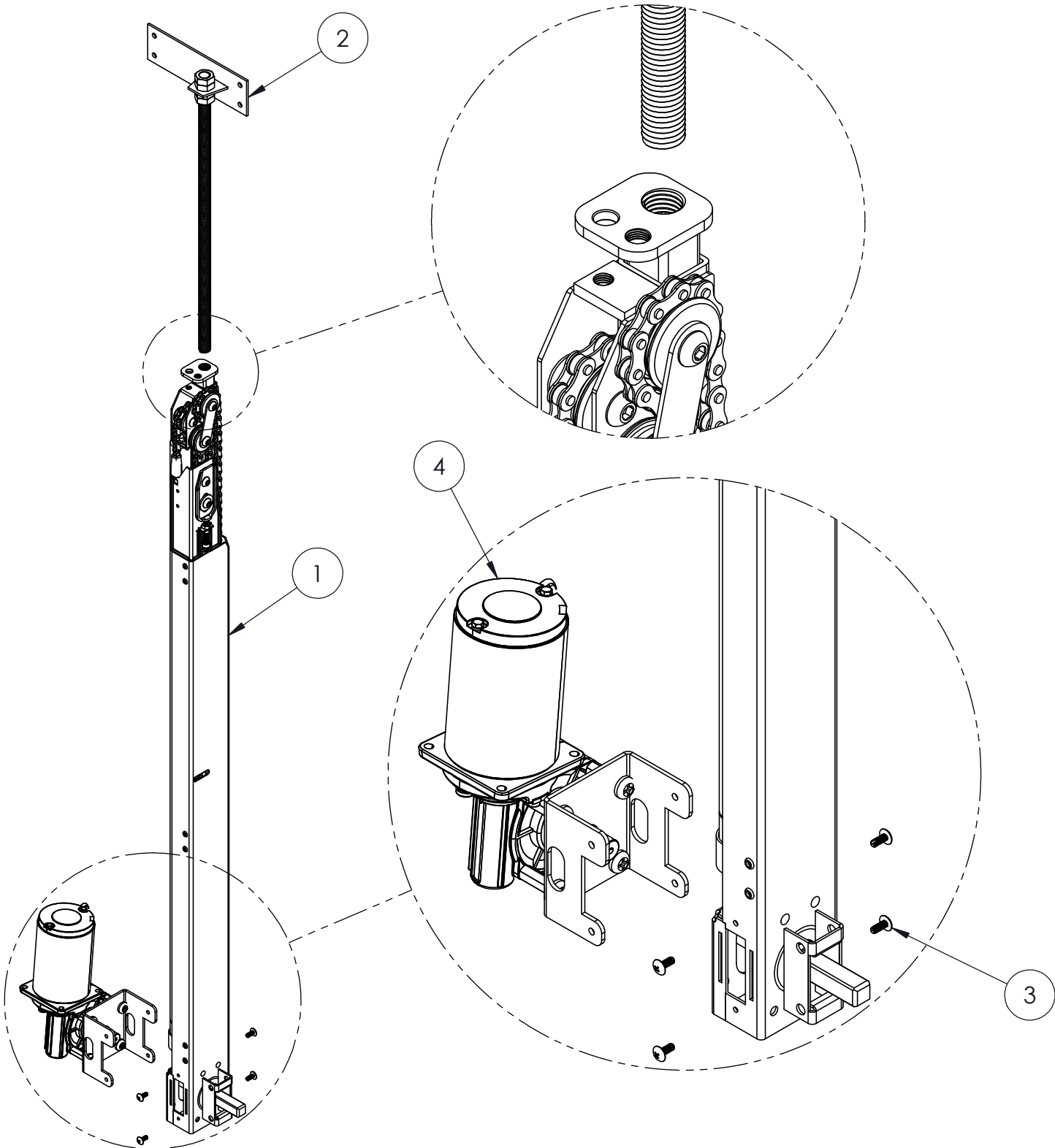
PART NUMBER	
MOCHA	SLATE
225978	225979

SECTION 3: JACKS ASSEMBLY



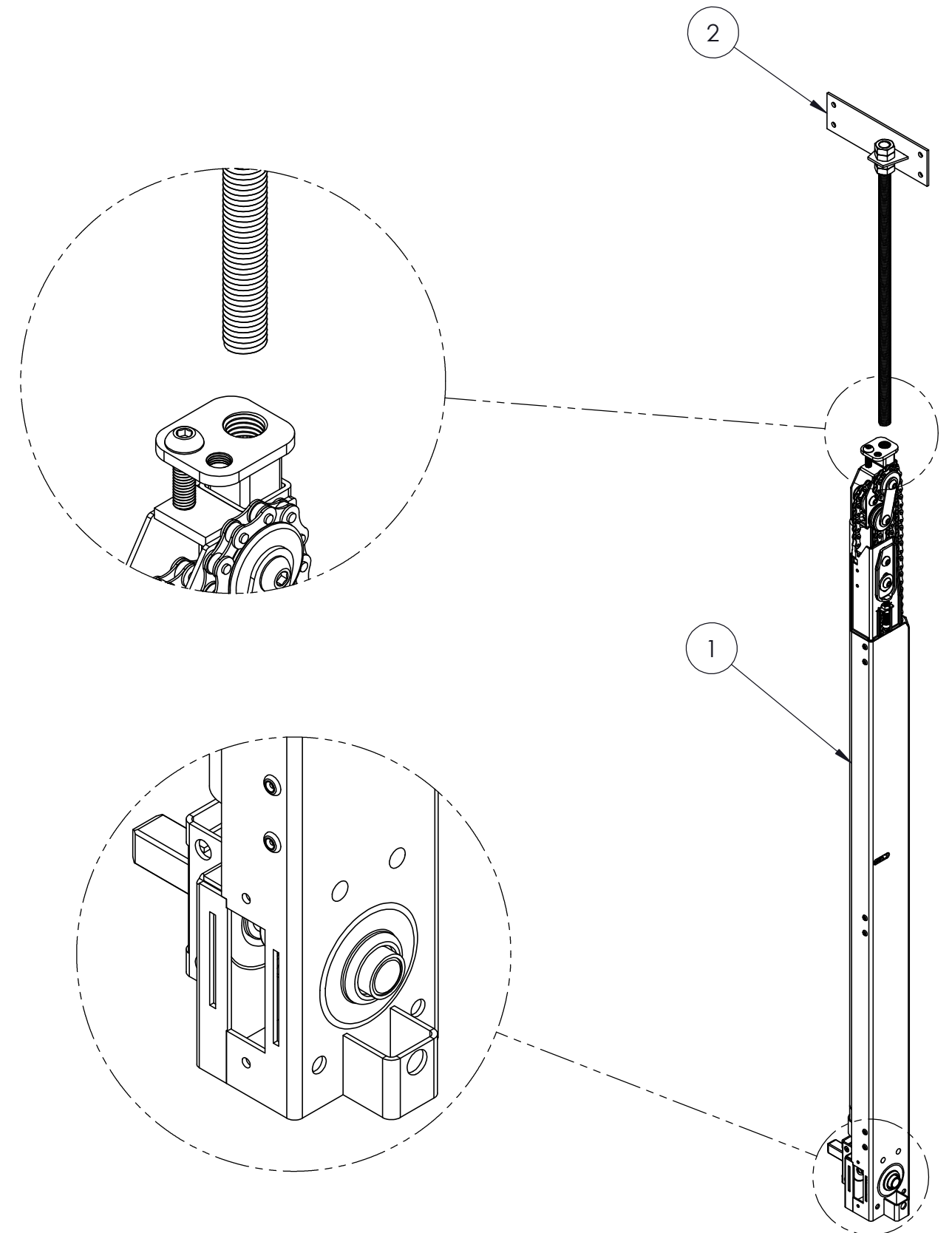
G3-1230 MOTOR POST PACK

ITEM #	DESCRIPTION	ARTICLE CODE	CATALOG PAGE
1	COV-GEN-POST-ASS'Y-G3-R-1230-600N-DC-VI	SEE G3-1230 COMPLETE MOTOR JACK ASSEMBLY	10
2	COV-LEG-ADJUSTABLE JACK ADAPTOR	SEE ADJUSTMENT PACK-METRIC	13
3	#10-24x1/2" TRUSS HEAD PHILLIPS THREAD CUTTING SCREW	NOT AVAILABLE	-
4	MOTOR ASSEMBLY	NOT AVAILABLE	-



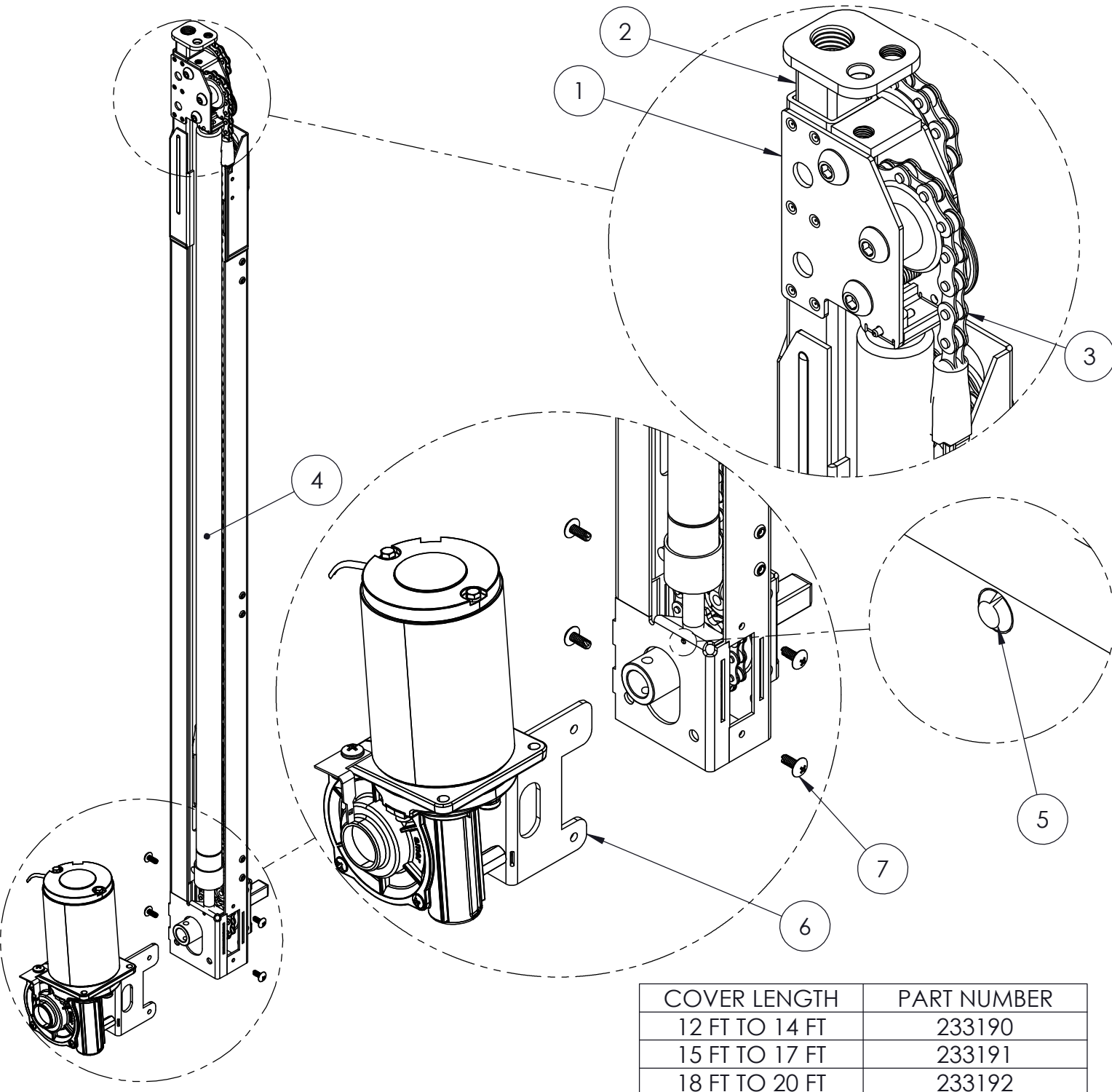
G3-1230 NON-MOTOR POST PACK

ITEM #	DESCRIPTION	ARTICLE CODE	CATALOG PAGE
1	COV-GEN-POST-ASS'Y-G3-L-1230-600N-VI	SEE G3-1230 COMPLETE NON MOTOR JACK ASSEMBLY	10
2	COV-LEG-ADJUSTABLE JACK ADAPTOR	SEE ADJUSTMENT PACK-METRIC	13



COMPLETE G3-1230 MOTOR JACK ASSEMBLY

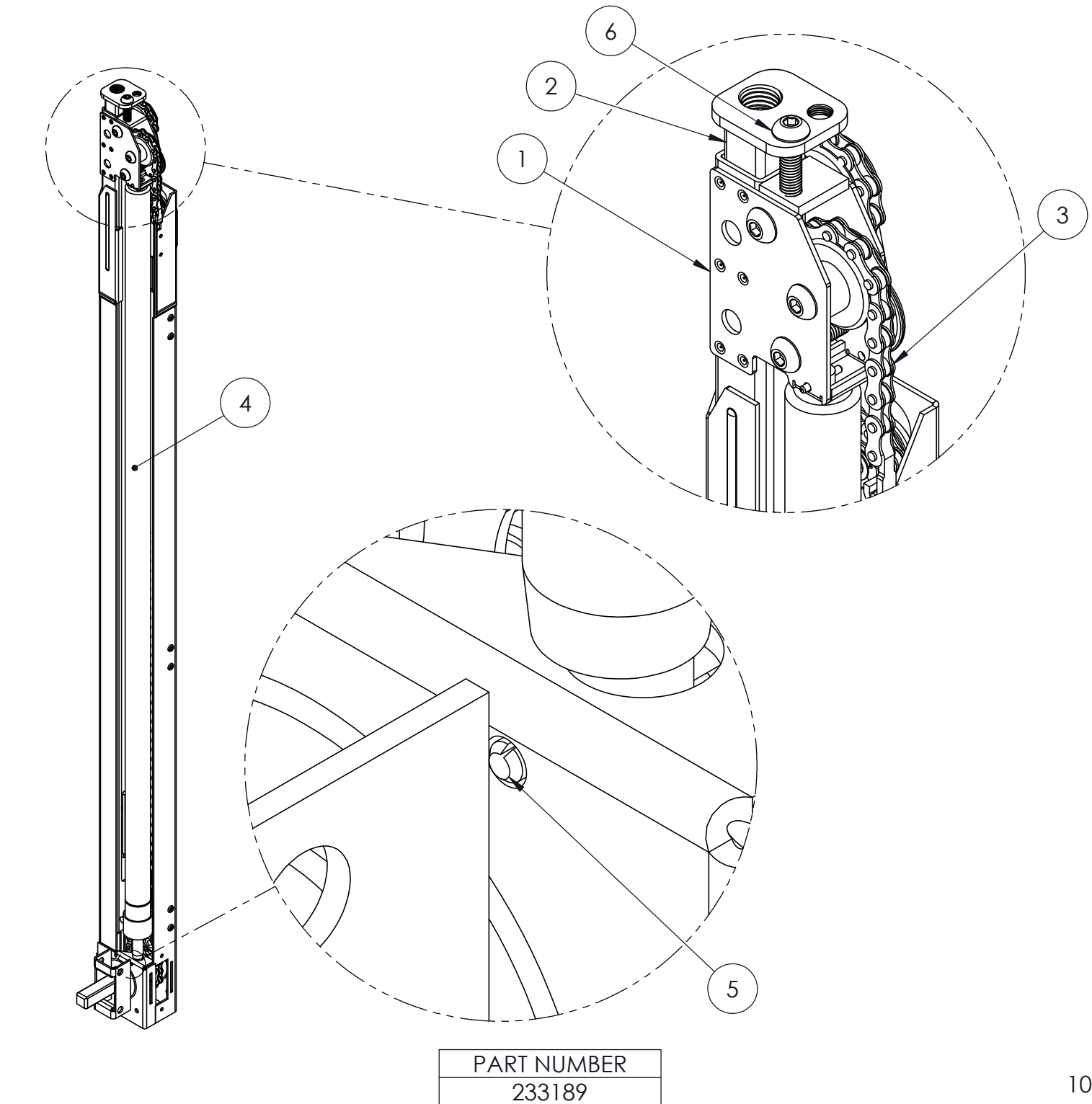
ITEM #	DESCRIPTION	ARTICLE CODE	CATALOG PAGE
1	G3-1230 MIDDLE TUBE WELDMENTS	SEE G3-1230 MIDDLE TUBE ASSEMBLY	11
2	G3-1230 INTERNAL TUBE WELDMENTS	SEE G3-1230 INNER TUBE ASSEMBLY	12
3	COV-G3-1230 MIDDLE CHAIN	SEE G3-1230 MIDDLE CHAIN PACK	13
4	GAS SPRING G3-1230 600N	SEE G3 GAS SPRING PACK	13
5	2.5mm x 20mm SLOTTED SPRING PIN-B.O.	SEE G3 GAS SPRING PACK	13
6	MOTOR ASSEMBLY	NOT AVAILABLE	-
7	#10-24x1/2" TRUSS HEAD PHILLIPS THREAD CUTTING SCREW	NOT AVAILABLE	-



COVER LENGTH	PART NUMBER
12 FT TO 14 FT	233190
15 FT TO 17 FT	233191
18 FT TO 20 FT	233192

COMPLETE G3-1230 NON-MOTOR JACK ASSEMBLY

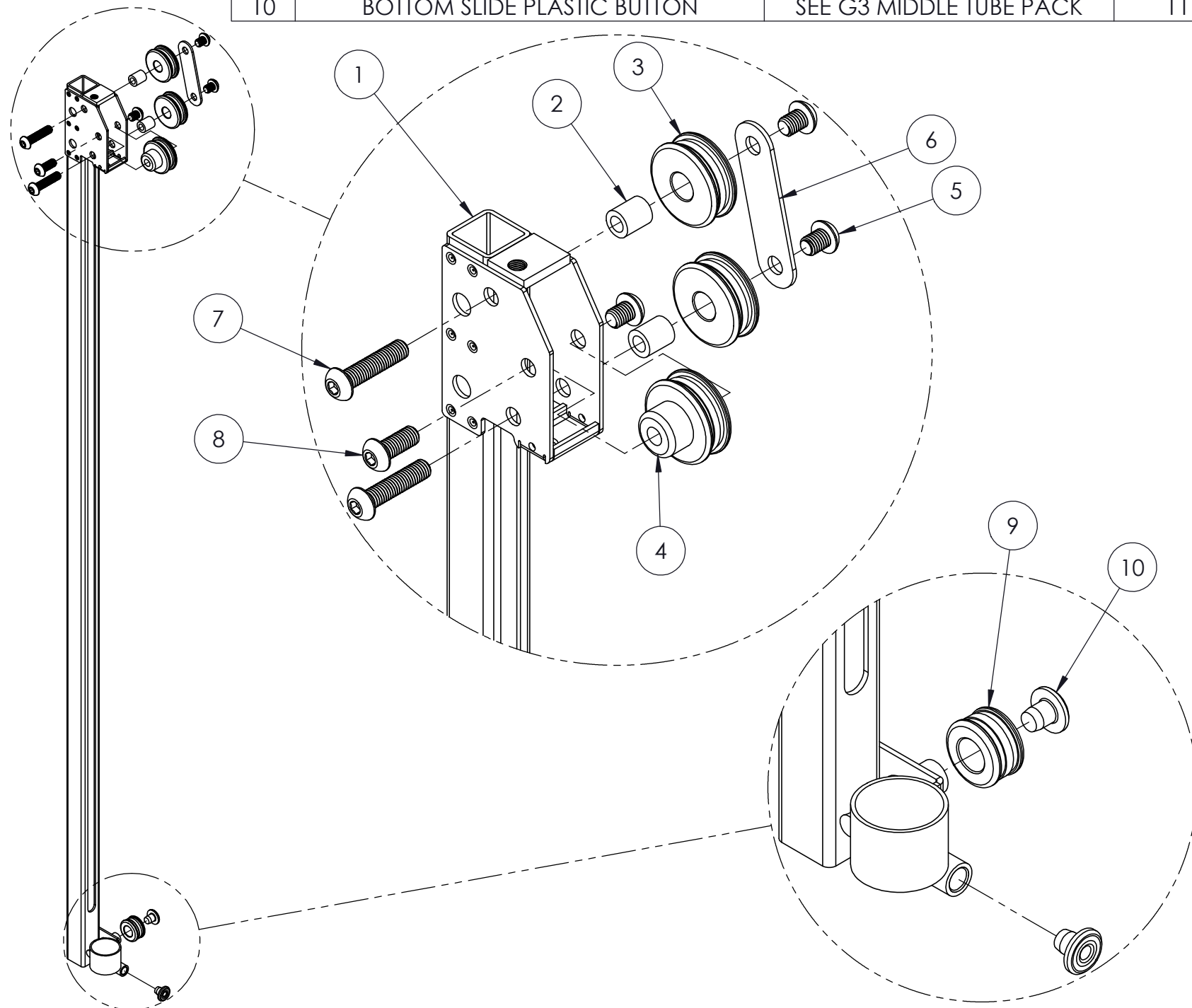
ITEM #	DESCRIPTION	ARTICLE CODE	CATALOG PAGE
1	G3-1230 MIDDLE TUBE WELDMENTS	SEE MIDDLE TUBE ASSEMBLY	11
2	G3-1230 INTERNAL TUBE WELDMENTS	SEE INTERNAL TUBE ASSEMBLY	12
3	COV-G3-1230 MIDDLE CHAIN	SEE G3-1230 MIDDLE CHAIN PACK	13
4	GAS SPRING G3-1230 600N	SEE G3 GAS SPRING PACK	13
5	2.5mm x 20mm SLOTTED SPRING PIN-B.O.	SEE G3 GAS SPRING PACK	13
6	M8-1.25 x 35mm ROUND SOCKET HEAD-Z/P	SEE JACK LOCK BOLT PACK	13



PART NUMBER
233189

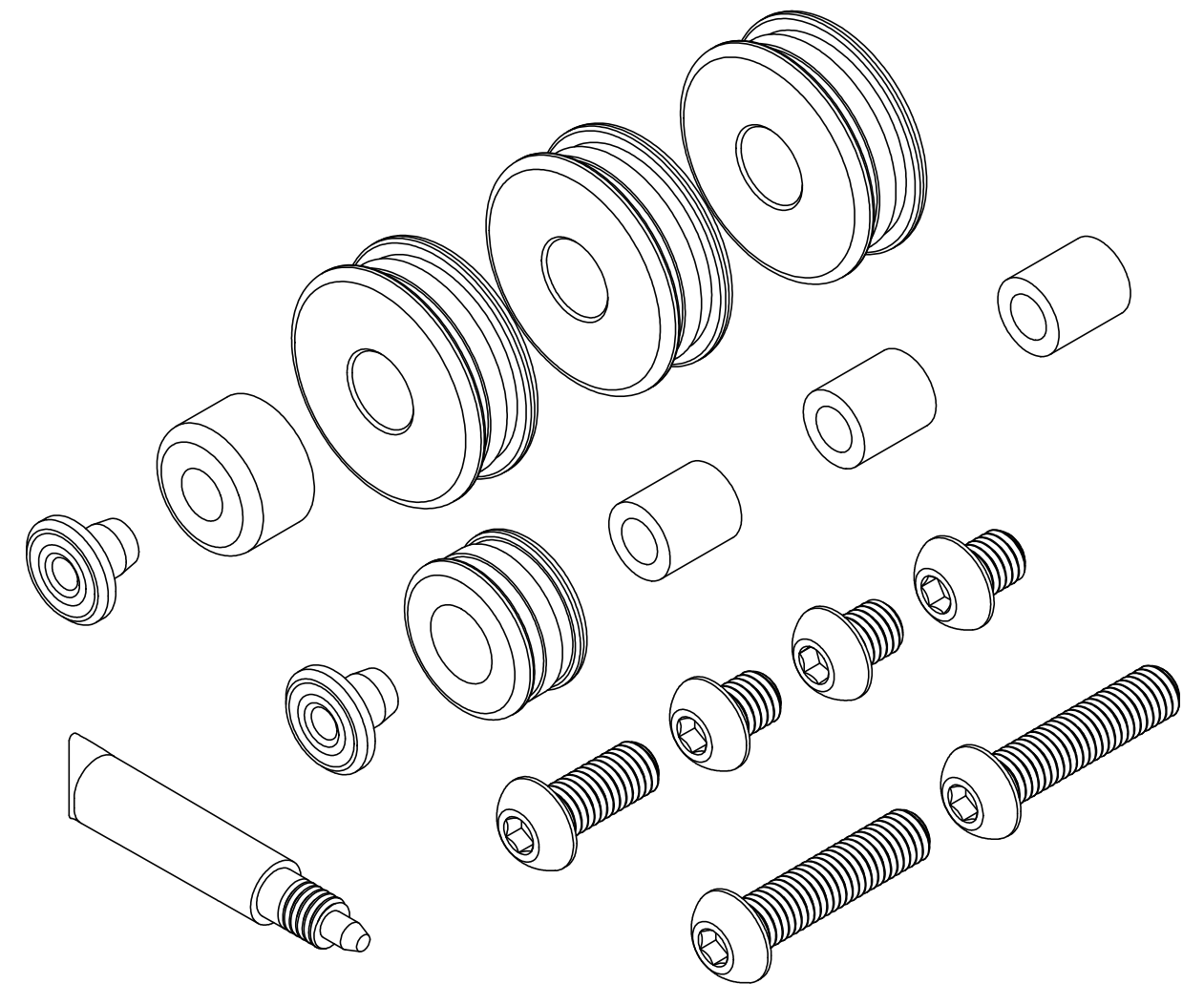
G3-1230 MIDDLE TUBE ASSEMBLY

ITEM #	DESCRIPTION	ARTICLE CODE	CATALOG PAGE
1	G3-1230 MIDDLE POST WELDMENTS	NOT AVAILABLE	-
2	MIDDLE POST TOP IDLER	SEE G3 MIDDLE TUBE PACK	11
3	CHAIN GUIDE PULLEY	SEE G3 MIDDLE TUBE PACK	11
4	MIDDLE POST TOP IDLER SPACER	SEE G3 MIDDLE TUBE PACK	11
5	M8-1.25 x 10mm ROUND SOCKET HEAD-Z/P	SEE G3 MIDDLE TUBE PACK	11
6	TOP SUPPORT BRACKET	NOT AVAILABLE	-
7	M8-1.25 x 35mm ROUND SOCKET HEAD-Z/P	SEE G3 MIDDLE TUBE PACK	11
8	M8-1.25 x 20mm ROUND SOCKET HEAD-Z/P	SEE G3 MIDDLE TUBE PACK	11
9	UHMW SMALL PULLEY	SEE G3 MIDDLE TUBE PACK	11
10	BOTTOM SLIDE PLASTIC BUTTON	SEE G3 MIDDLE TUBE PACK	11



G3 MIDDLE TUBE PACK

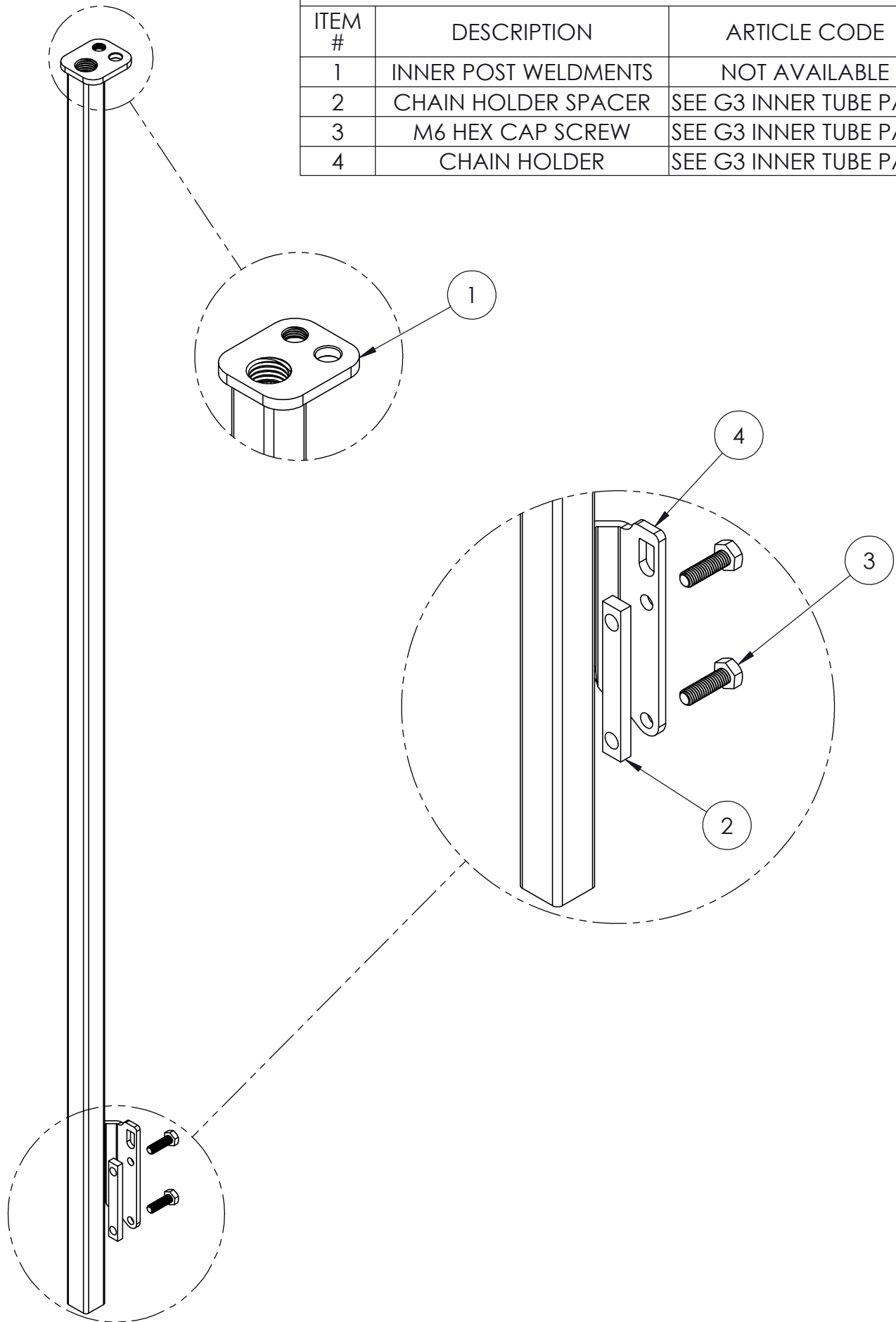
DESCRIPTION	QTY.
CHAIN GUIDE PULLEY	3
UHMW SMALL PULLEY	1
MIDDLE POST TOP IDLER	3
MIDDLE POST TOP IDLER SPACER	1
BOTTOM SLIDE PLASTIC BUTTON	2
M8-1.25 x 20mm ROUND SOCKET HEAD-Z/P	1
M8-1.25 x 35mm ROUND SOCKET HEAD-Z/P	2
M8-1.25 x 10mm ROUND SOCKET HEAD-Z/P	3
RED THREADLOCKER TUBE (2ml)	1



PART NUMBER
233454

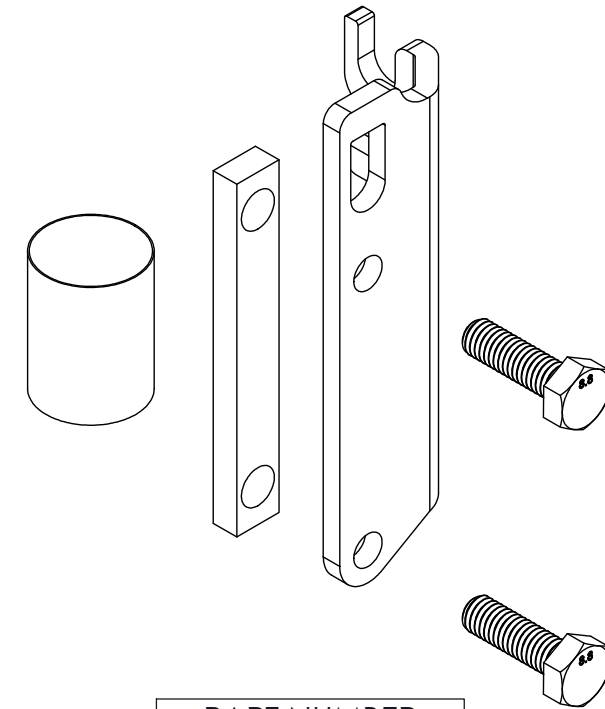
G3-1230 INNER TUBE ASSEMBLY

ITEM #	DESCRIPTION	ARTICLE CODE	CATALOG PAGE
1	INNER POST WELDMENTS	NOT AVAILABLE	-
2	CHAIN HOLDER SPACER	SEE G3 INNER TUBE PACK	12
3	M6 HEX CAP SCREW	SEE G3 INNER TUBE PACK	12
4	CHAIN HOLDER	SEE G3 INNER TUBE PACK	12



G3 INNER TUBE PACK

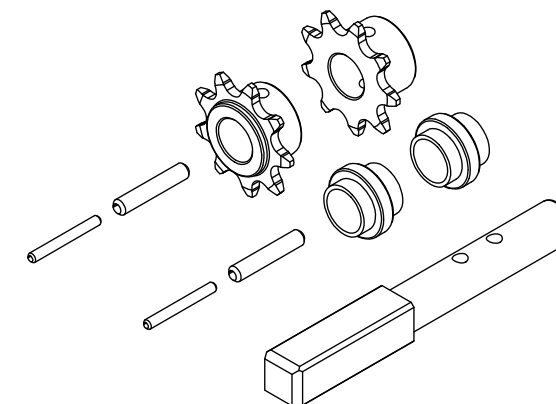
DESCRIPTION	QTY.
CHAIN HOLDER	1
CHAIN HOLDER SPACER	1
HEAT SHRINK TUBE	1
M6 HEX CAP SCREW	2



PART NUMBER
233455

G3-1230 LOWER SHAFT PACK

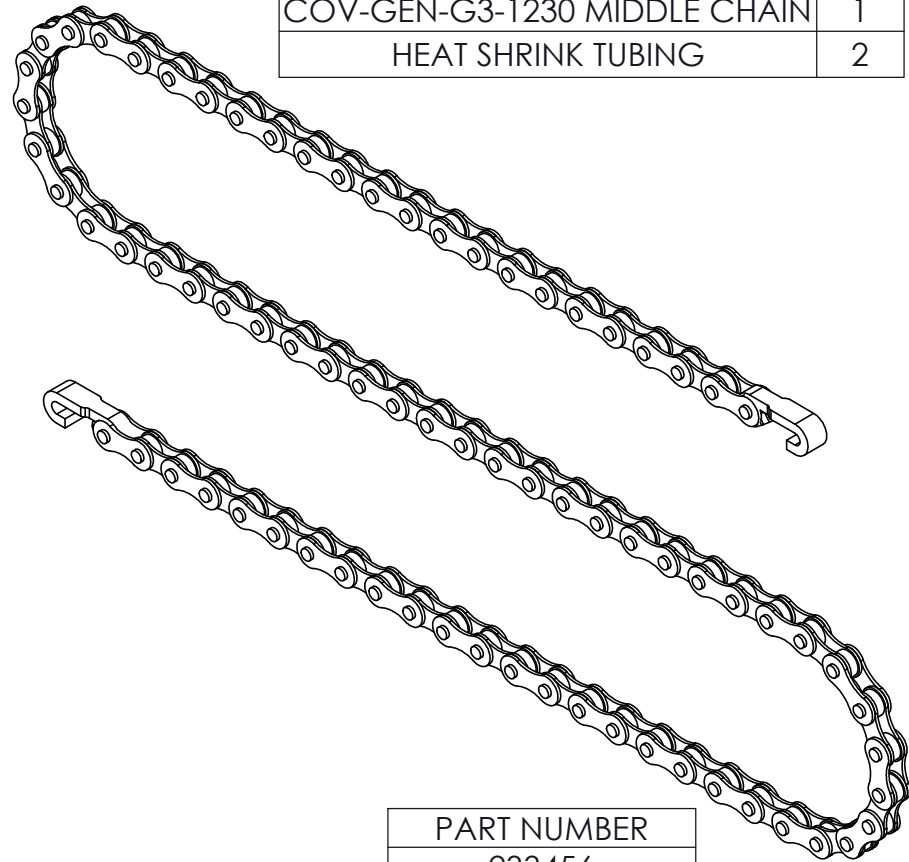
DESCRIPTION	QTY.
5mm SPRING PIN	2
3mm SPRING PIN	2
6802-2RS SPECIAL BEARING	2
SPROCKET TPSP9-410-DB (DRIVE)	1
SPROCKET TPSP9-410-DB (AUX)	1
BOTTOM SHAFT (FULL LENGTH)	1



PART NUMBER
230640

G3-1230 MIDDLE CHAIN PACK

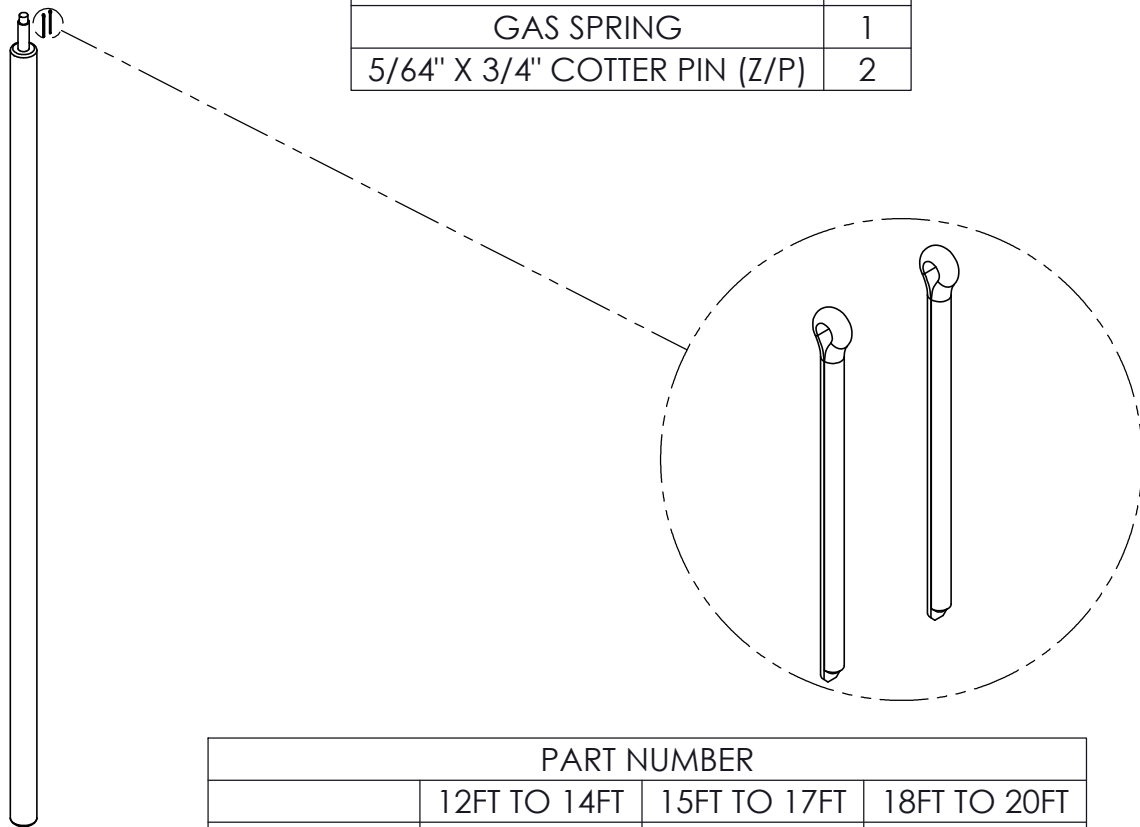
DESCRIPTION	QTY.
COV-GEN-G3-1230 MIDDLE CHAIN	1
HEAT SHRINK TUBING	2



PART NUMBER
233456

G3 GAS SPRING PACK

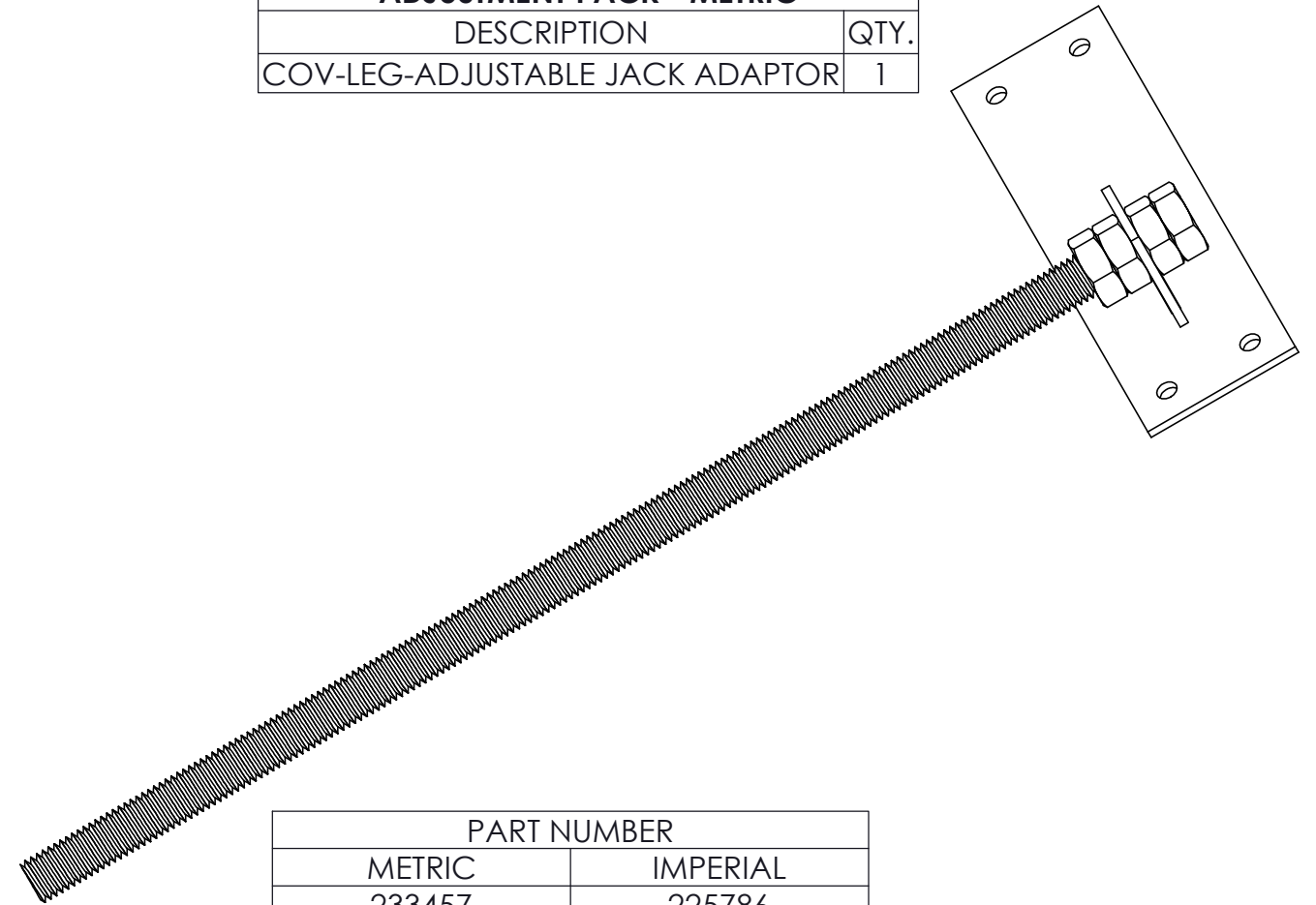
DESCRIPTION	QTY.
GAS SPRING	1
5/64" X 3/4" COTTER PIN (Z/P)	2



	PART NUMBER		
	12FT TO 14FT	15FT TO 17FT	18FT TO 20FT
MOTOR	233276	233279	233283
NON-MOTOR	233276		

ADJUSTMENT PACK - METRIC

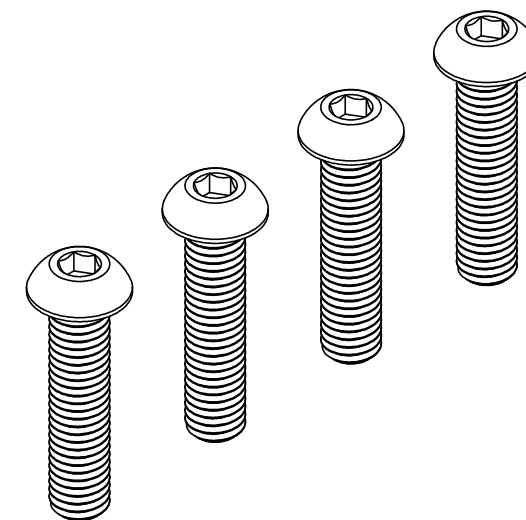
DESCRIPTION	QTY.
COV-LEG-ADJUSTABLE JACK ADAPTOR	1



PART NUMBER	
METRIC	IMPERIAL
233457	225786

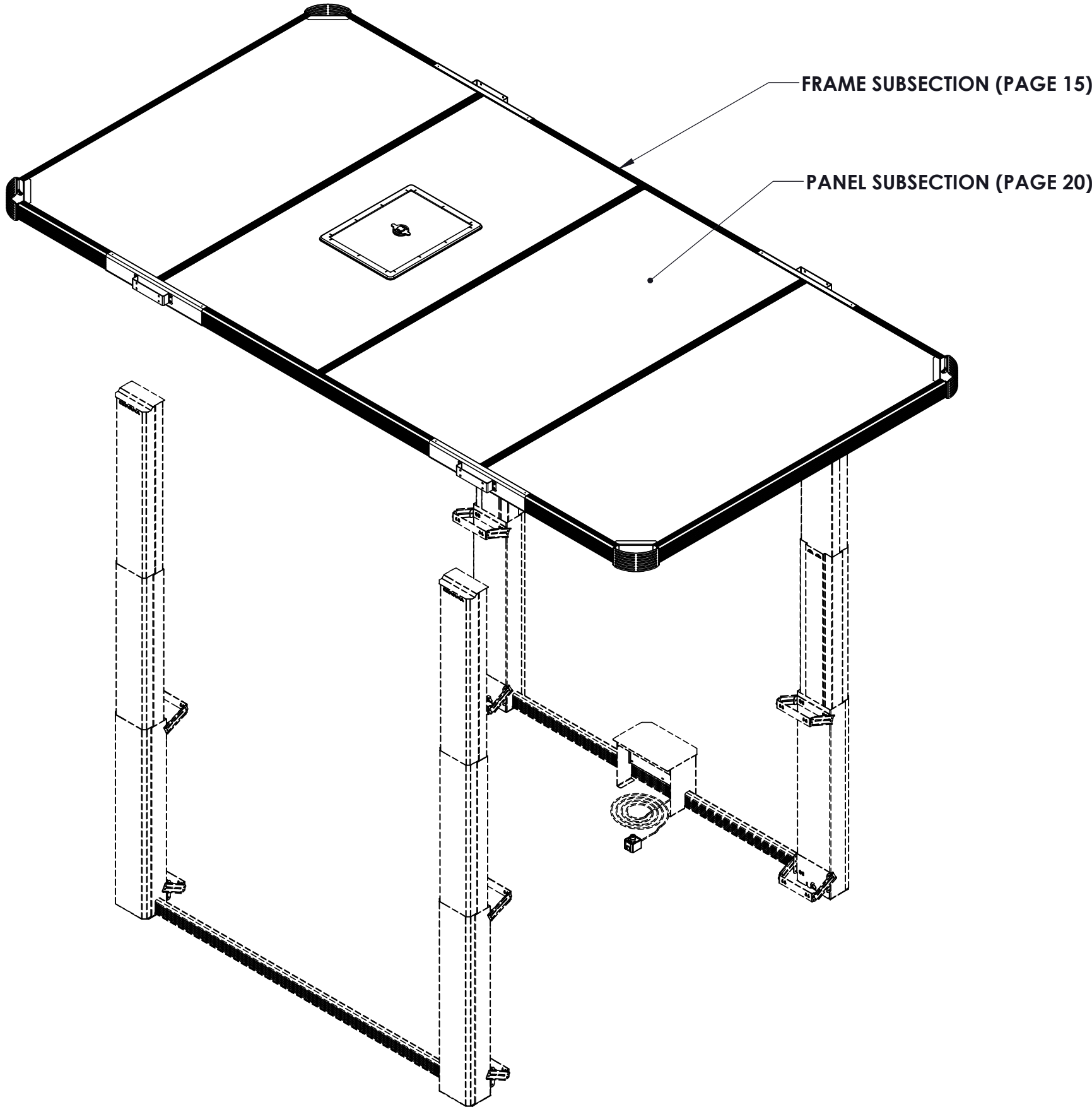
JACK LOCK BOLT-PACK

DESCRIPTION	QTY.
M8-1.25 x 35mm ROUND SOCKET HEAD-Z/P	4



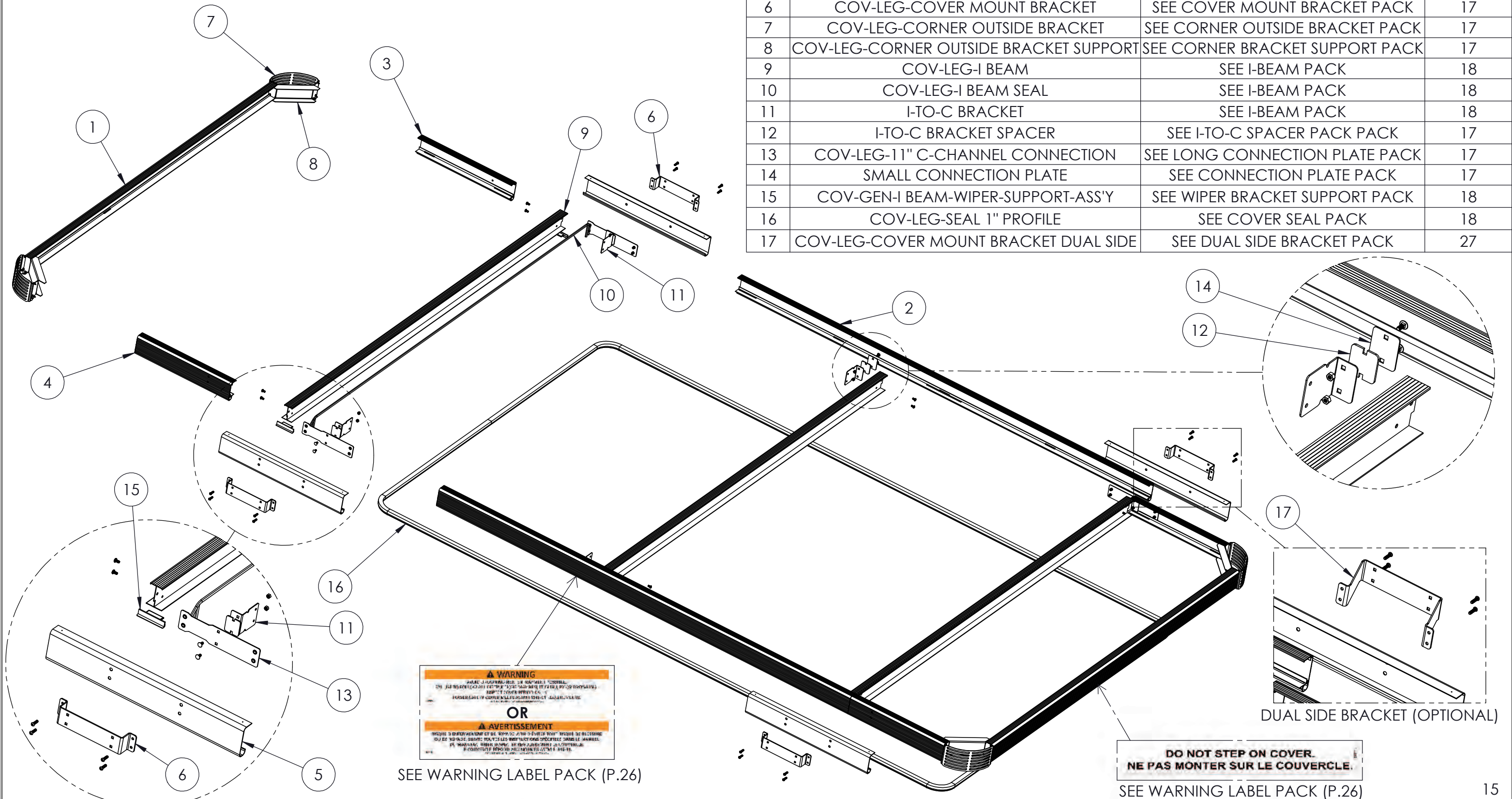
PART NUMBER
233458

SECTION 4: COVER ASSEMBLY



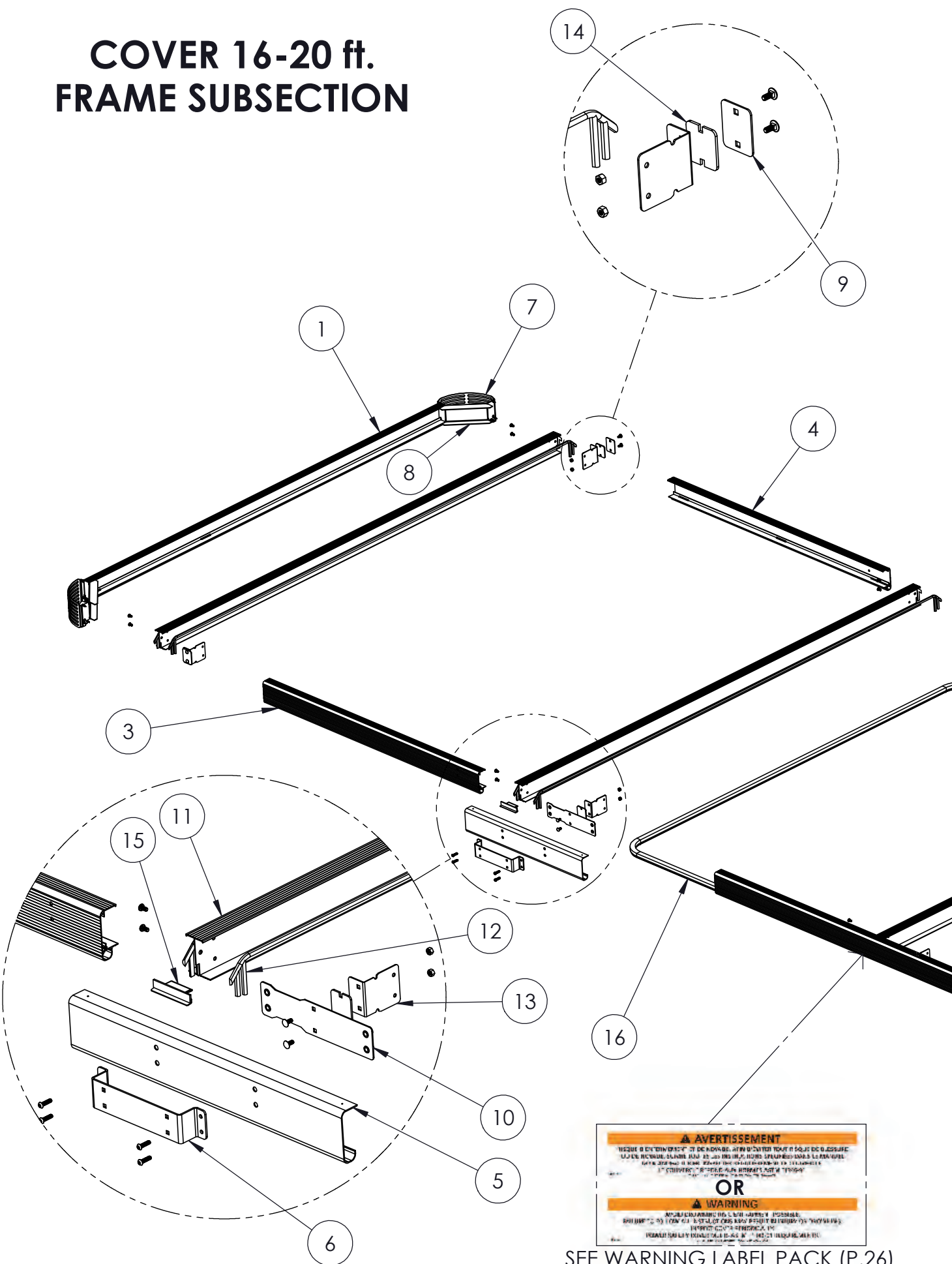
COVER 12-15 ft. FRAME SUBSECTION

ITEM #	DESCRIPTION	PART NUMBER	CATALOG PAGE
1	COV-LEG-C CHANNEL-ENDS	SEE END C-CHANNEL PACK	19
2	COV-LEG-C CHANNEL LONG	SEE LONG C-CHANNEL PACK	19
3	COV-LEG-C CHANNEL SHORT-LEFT	SEE SHORT C-CHANNEL PACK	19
4	COV-LEG-C CHANNEL SHORT-RIGHT	SEE SHORT C-CHANNEL PACK	19
5	COV-LEG-JOINT SUPPORT BRACKET-LONG	SEE JOINT SUPPORT BRACKET PACK	19
6	COV-LEG-COVER MOUNT BRACKET	SEE COVER MOUNT BRACKET PACK	17
7	COV-LEG-CORNER OUTSIDE BRACKET	SEE CORNER OUTSIDE BRACKET PACK	17
8	COV-LEG-CORNER OUTSIDE BRACKET SUPPORT	SEE CORNER BRACKET SUPPORT PACK	17
9	COV-LEG-I BEAM	SEE I-BEAM PACK	18
10	COV-LEG-I BEAM SEAL	SEE I-BEAM PACK	18
11	I-TO-C BRACKET	SEE I-BEAM PACK	18
12	I-TO-C BRACKET SPACER	SEE I-TO-C SPACER PACK PACK	17
13	COV-LEG-11" C-CHANNEL CONNECTION	SEE LONG CONNECTION PLATE PACK	17
14	SMALL CONNECTION PLATE	SEE CONNECTION PLATE PACK	17
15	COV-GEN-I BEAM-WIPER-SUPPORT-ASS'Y	SEE WIPER BRACKET SUPPORT PACK	18
16	COV-LEG-SEAL 1" PROFILE	SEE COVER SEAL PACK	18
17	COV-LEG-COVER MOUNT BRACKET DUAL SIDE	SEE DUAL SIDE BRACKET PACK	27

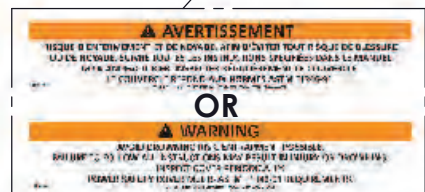
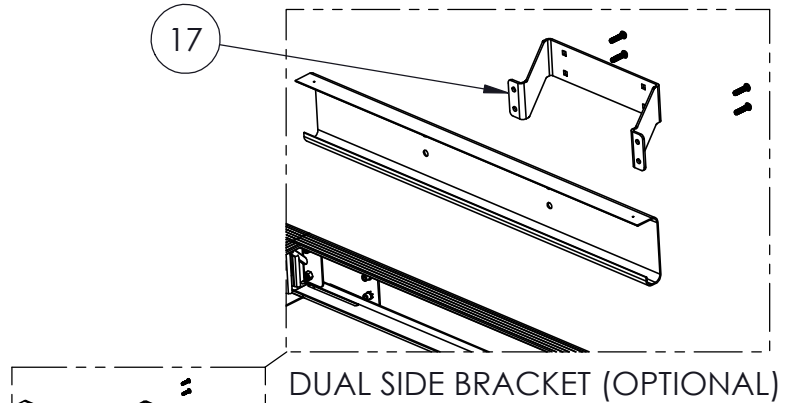


LEGEND PARTS CATALOG-2019

COVER 16-20 ft. FRAME SUBSECTION



ITEM #	DESCRIPTION	PART NUMBER	CATALOG PAGE
1	COV-LEG-C CHANNEL-ENDS	SEE END C CHANNEL PACK	19
2	COV-LEG-C CHANNEL LONG	SEE LONG C CHANNEL PACK	19
3	COV-LEG-C CHANNEL SHORT-LEFT	SEE SHORT C CHANNEL PACK	19
4	COV-LEG-C CHANNEL SHORT-RIGHT	SEE SHORT C CHANNEL PACK	19
5	COV-LEG-JOINT SUPPORT BRACKET-LONG	SEE JOINT SUPPORT BRACKET LONG PACK	19
6	COV-LEG-COVER MOUNT BRACKET	SEE COVER MOUNT BRACKET PACK	17
7	COV-LEG-CORNER OUTSIDE BRACKET	SEE CORNER OUTSIDE BRACKET PACK	17
8	COV-LEG-CORNER OUTSIDE BRACKET SUPPORT	SEE CORNER BRACKET SUPPORT PACK	17
9	SMALL CONNECTION PLATE	SEE CONNECTION PLATE PACK	17
10	COV-LEG-11" C-CHANNEL CONNECTION	SEE LONG CONNECTION PLATE PACK	17
11	COV-LEG-I BEAM	SEE I-BEAM PACK	18
12	COV-LEG-I BEAM SEAL	SEE I-BEAM PACK	18
13	I-TO-C BRACKET	SEE I-BEAM PACK	18
14	I-TO-C BRACKET SPACER	SEE I-TO-C SPACER PACK	17
15	COV-GEN-I BEAM-WIPER-SUPPORT-ASS'Y	SEE I BEAM WIPER SUPPORT PACK	18
16	COV-LEG-SEAL 1" PROFILE	SEE COVER SEAL PACK	18
17	COV-LEG-COVER MOUNT BRACKET DUAL SIDE	SEE DUAL SIDE BRACKET PACK	27

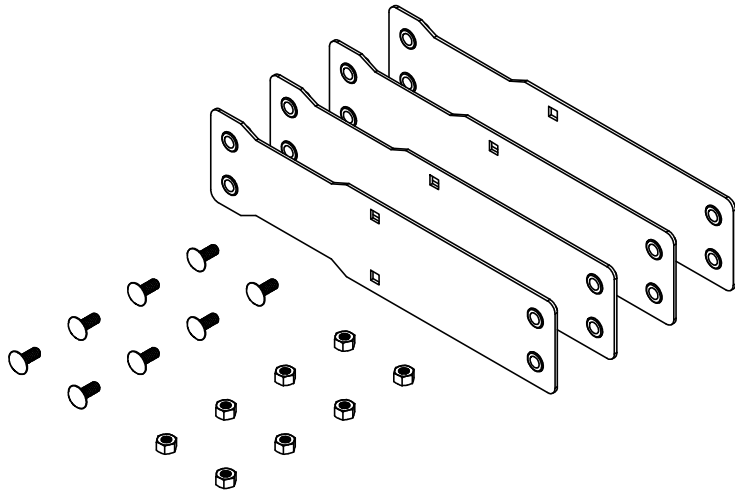


SEE WARNING LABEL PACK (P.26)



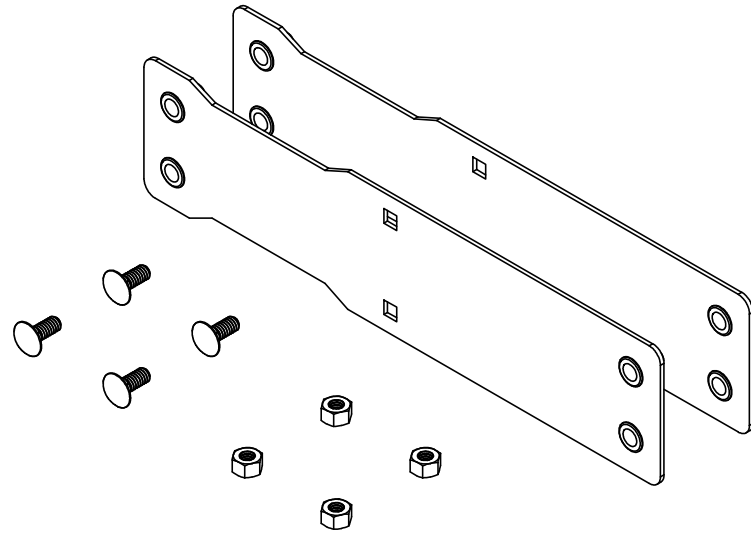
SEE WARNING LABEL PACK (P.26)

LONG CONNECTION PLATE 4-PACK	
DESCRIPTION	QTY.
COV-LEG-11" C-CHANNEL CONNECTION	4
1/4-20-5/8 (CARRIAGE - SS 18-8)	8
1/4-20 (NYLON LOCK-S.S.18-8)	8
INSERT HEXAGONAL 1/4-20 (ZINC PLATED)	16



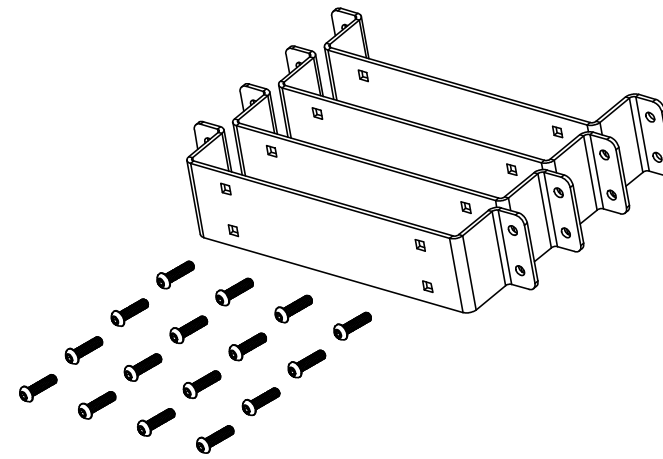
PART NUMBER
226696

LONG CONNECTION PLATE 2-PACK	
DESCRIPTION	QTY.
COV-CS1000-11" C-CHANNEL CONNECTION	2
1/4-20-5/8 (CARRIAGE - SS 18-8)	4
1/4-20 (NYLON LOCK-S.S.18-8)	4



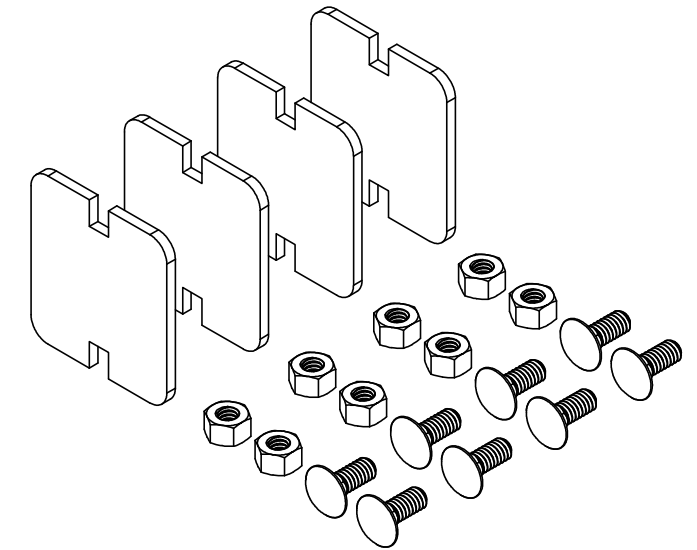
PART NUMBER
230510

COVER MOUNT BRACKET PACK	
DESCRIPTION	QTY.
COV-LEG-COVER MOUNT BRACKET	4
1/4-20-1 (BUTTON HEAD SOCKET CAP SCREW SS 18-8)	16



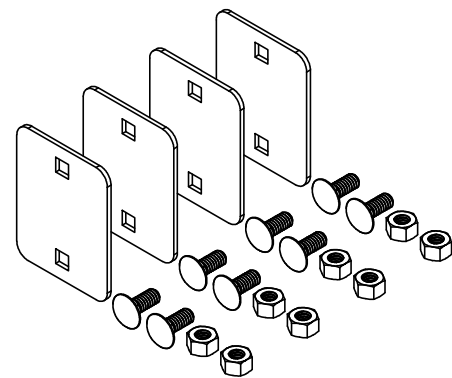
PART NUMBER	
MOCHA	SLATE
226697	226698

I-TO-C SPACER PACK	
DESCRIPTION	QTY.
COV-GEN-I TO C CONNECTION-SPACER	4
1/4-20 (HEX NUT SS 316)	8
1/4-20-5/8 (CARRIAGE - SS 18-8)	8



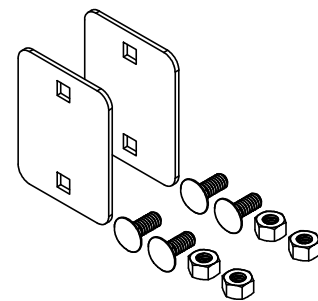
PART NUMBER
233459

CONNECTION PLATE 4-PACK	
DESCRIPTION	QTY.
COV-GEN-C CHANNEL-CONNECTION PLATE	4
1/4-20-5/8 (CARRIAGE - SS 18-8)	8
1/4-20 (NYLON LOCK-S.S.18-8)	8



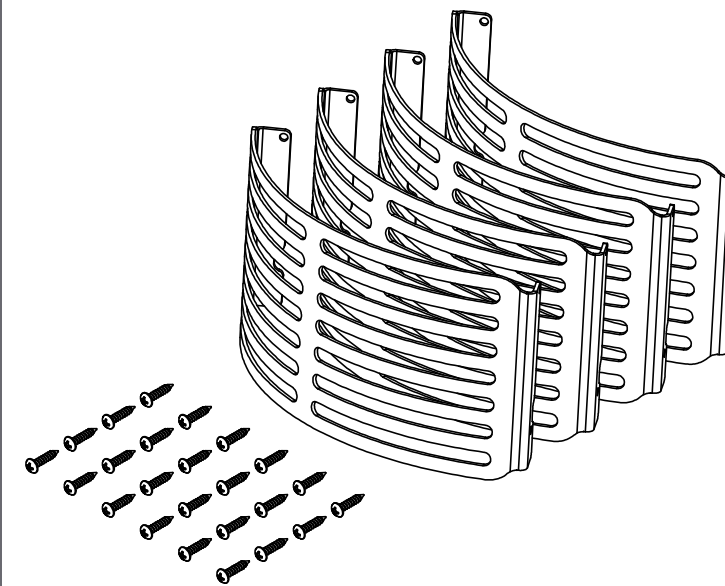
PART NUMBER
226701

CONNECTION PLATE 2-PACK	
DESCRIPTION	QTY.
COV-GEN-C CHANNEL-CONNECTION PLATE	2
1/4-20-5/8 (CARRIAGE - SS 18-8)	4
1/4-20 (NYLON LOCK-S.S.18-8)	4



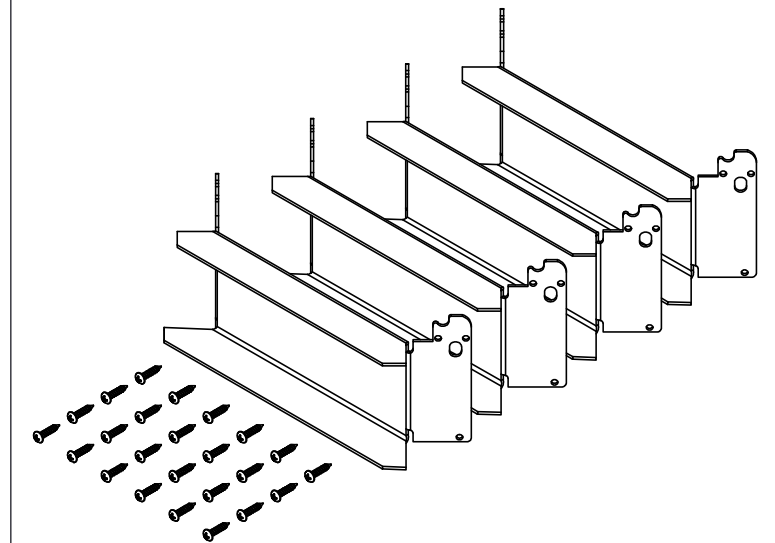
PART NUMBER
230428

CORNER OUTSIDE BRACKET PACK	
DESCRIPTION	QTY.
COV-LEG-CORNER OUTSIDE BRACKET	4
#8-15 X 1/2"(PAN HEAD PHILLIPS #2 - SS 18-8)	24



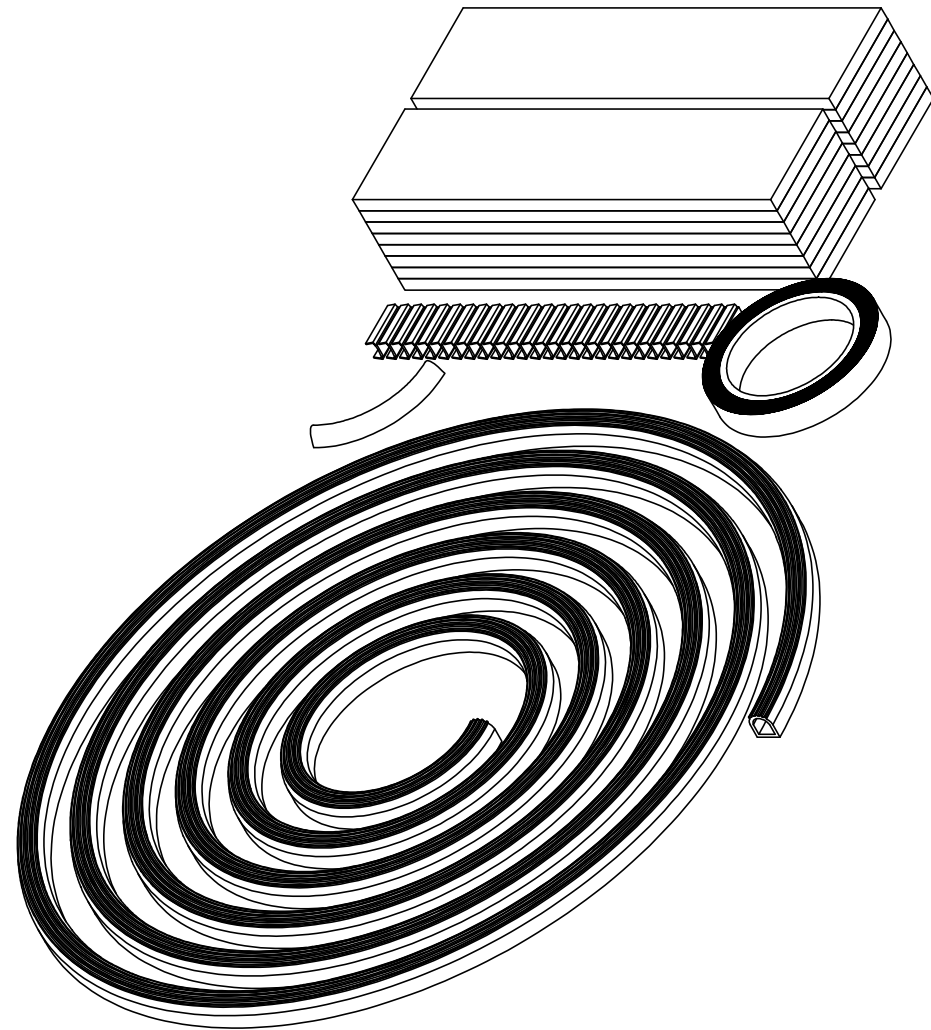
PART NUMBER	
MOCHA	SLATE
226702	226703

CORNER BRACKET SUPPORT PACK	
DESCRIPTION	QTY.
COV-GEN-CORNER OUTSIDE BRACKET SUPPORT	4
#8-15 X 1/2"(PAN HEAD PHILLIPS #2 - SS 18-8)	24



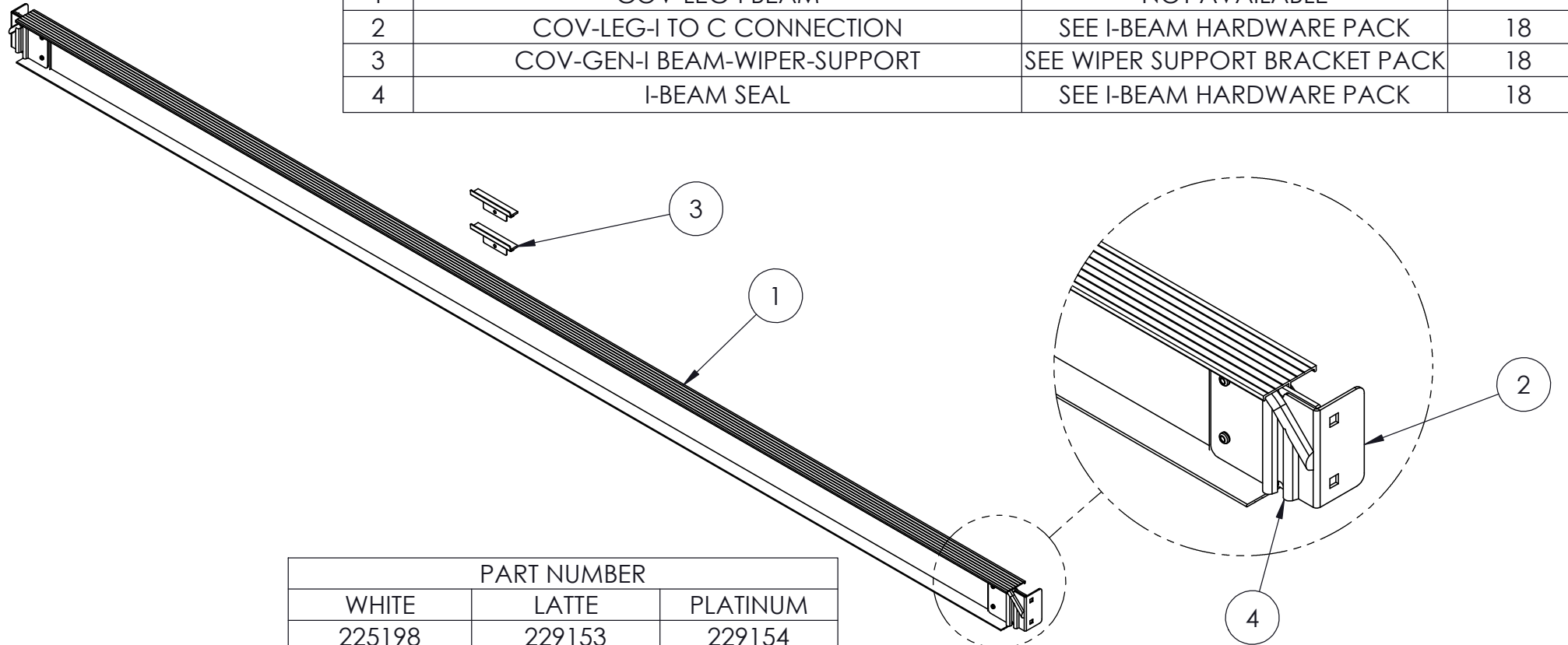
PART NUMBER	
MOCHA	SLATE
226704	226705

COVER SEAL PACK	
DESCRIPTION	QTY.
SEAL 1" PROFILE 2828W	1
FOAM BUMPER	16
SEAL INSERT 2 1/2"	1
MOUNTING CLIP	54
MASKING TAPE	1



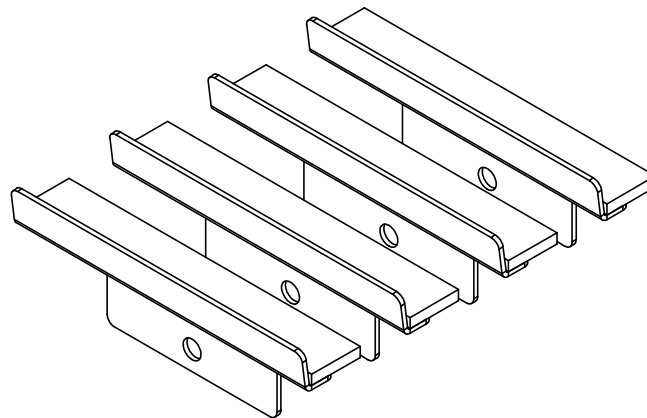
COVER	PART NUMBER
12'	226713
13'	226714
14'	226715
15'	226716
16'	226717
17'	226718
18'	226719
19'	226720
20'	226721

I-BEAM PACK			
ITEM #	DESCRIPTION	PART NUMBER	CATALOG PAGE
1	COV-LEG-I BEAM	NOT AVAILABLE	-
2	COV-LEG-I TO C CONNECTION	SEE I-BEAM HARDWARE PACK	18
3	COV-GEN-I BEAM-WIPER-SUPPORT	SEE WIPER SUPPORT BRACKET PACK	18
4	I-BEAM SEAL	SEE I-BEAM HARDWARE PACK	18



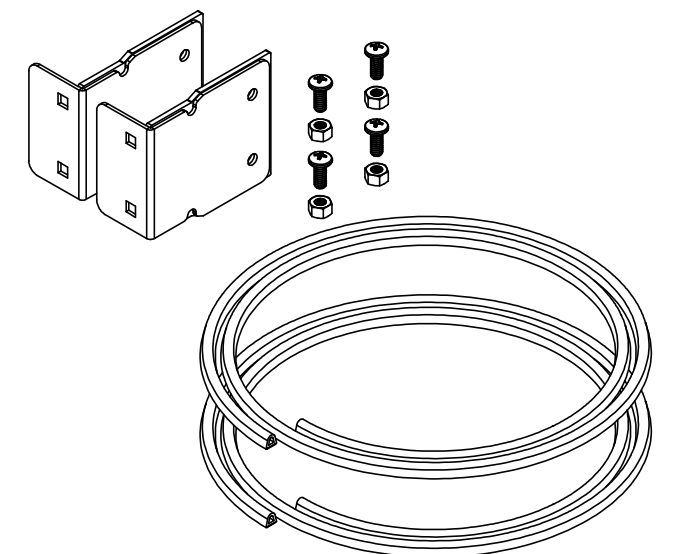
PART NUMBER		
WHITE	LATTE	PLATINUM
225198	229153	229154

WIPER SUPPORT BRACKET PACK	
DESCRIPTION	QTY.
COV-GEN-I BEAM-WIPER-SUPPORT	4



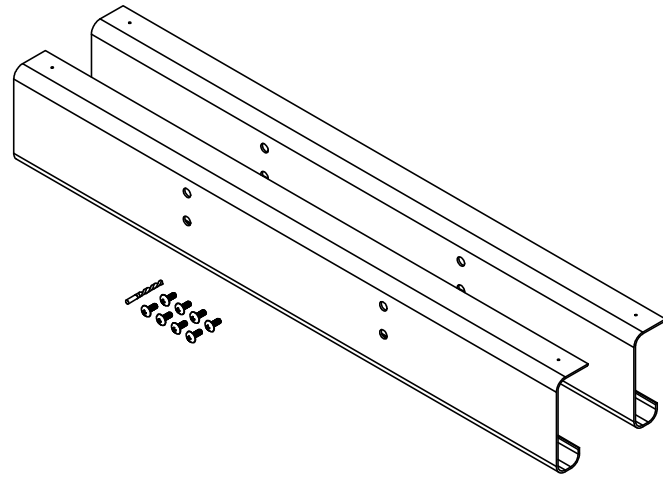
PART NUMBER		
WHITE	LATTE	PLATINUM
226724	230367	230369

I-BEAM HARDWARE PACK	
DESCRIPTION	QTY.
I-BEAM SEAL	2
I TO C BRACKET	2
1/4-20-5/8 (PAN HEAD PHILLIPS #3-SS 18-8) MACHINE SCREW	4
1/4-20 (HEX NUT SS 316)	4



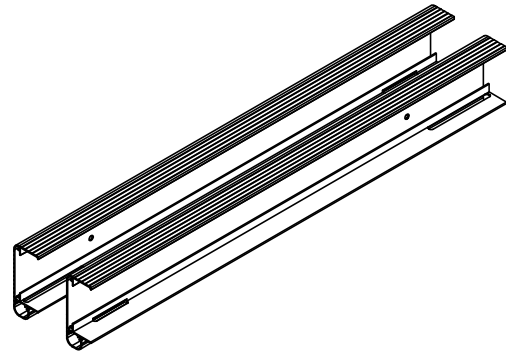
PART NUMBER
226742

JOINT SUPPORT BRACKET PACK	
DESCRIPTION	QTY.
COV-LEG-JOINT SUPPORT BRACKET	2
5/32 DRILL BIT	1
#10-24x1/2" TRUSS HEAD PHILLIPS THREAD CUTTING SCREW	8 OR 16



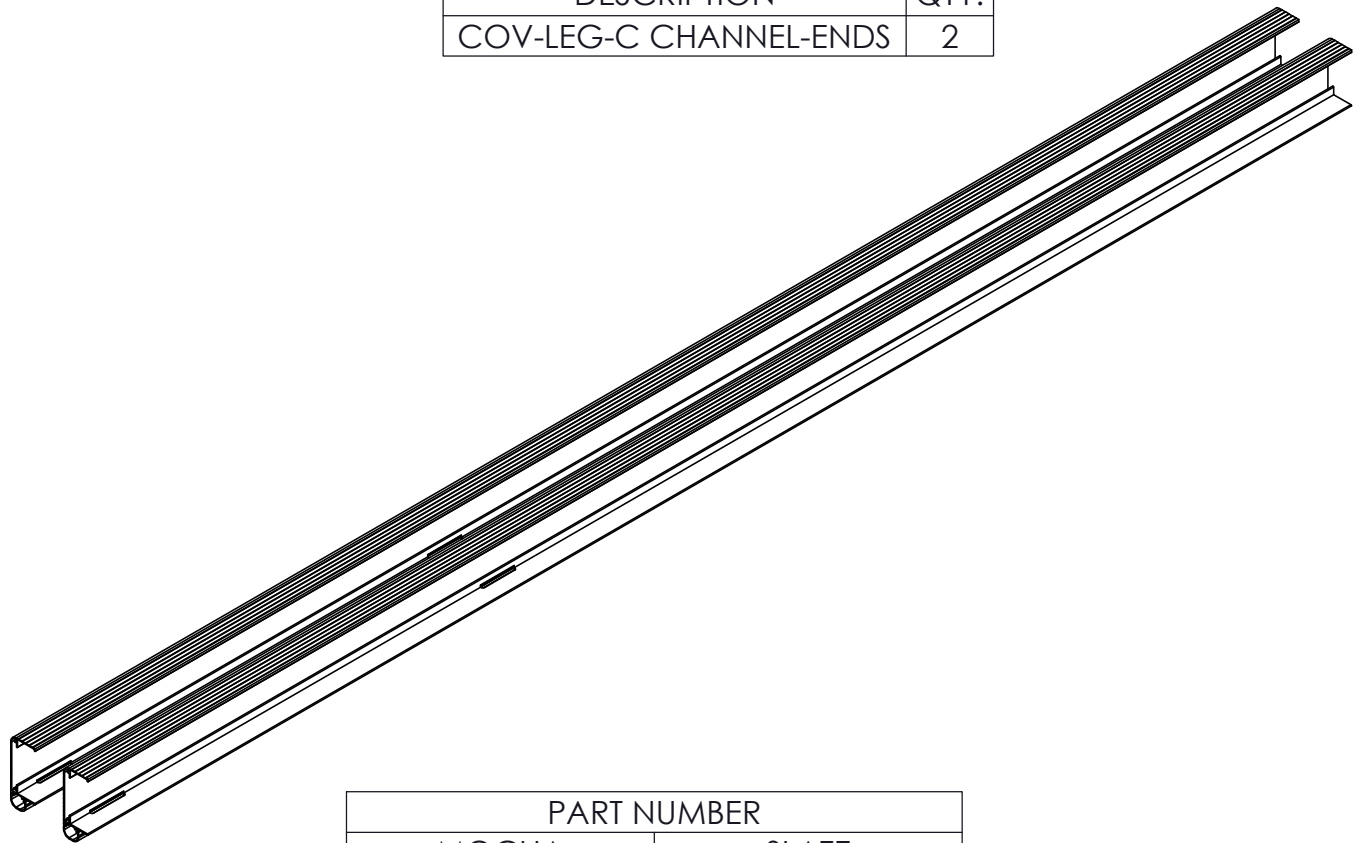
COVER LENGTH	PART NUMBER	
	MOCHA	SLATE
12FT. TO 15 FT.	226709	226710
16FT. TO 20FT.	226711	226712

SHORT C-CHANNEL PACK	
DESCRIPTION	QTY.
COV-LEG-C CHANNEL-LEFT	1
COV-LEG-C CHANNEL-RIGHT	1



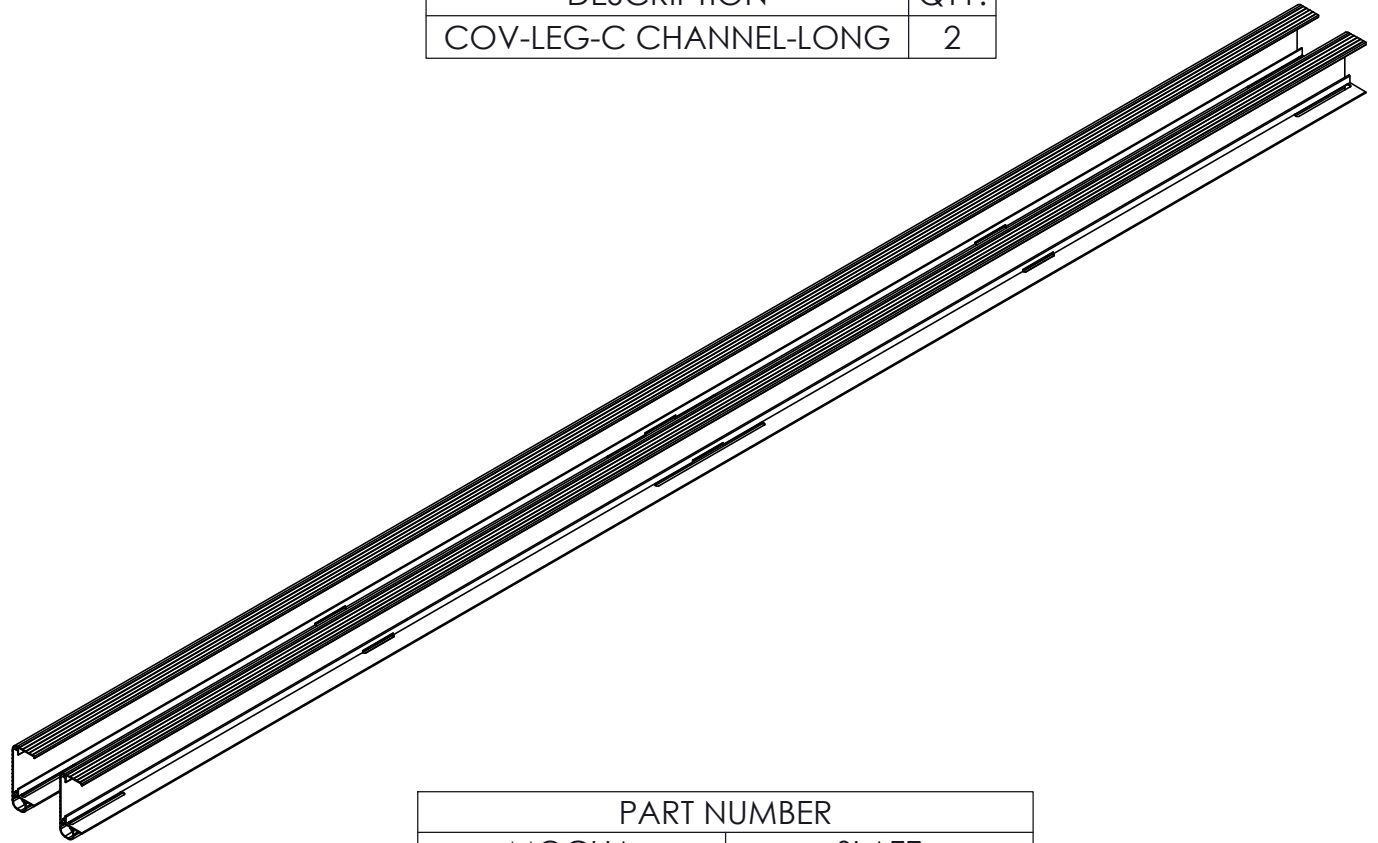
COVER LENGTH	PART NUMBER	
	MOCHA	SLATE
12'	226458	226459
13'	226460	226461
14'	226462	226463
15'	226464	226465
16'	226466	226467
17'	226468	226469
18'	226470	226471
19'	226472	226473
20'	230378	230379

COVER END C-CHANNEL PACK	
DESCRIPTION	QTY.
COV-LEG-C CHANNEL-ENDS	2



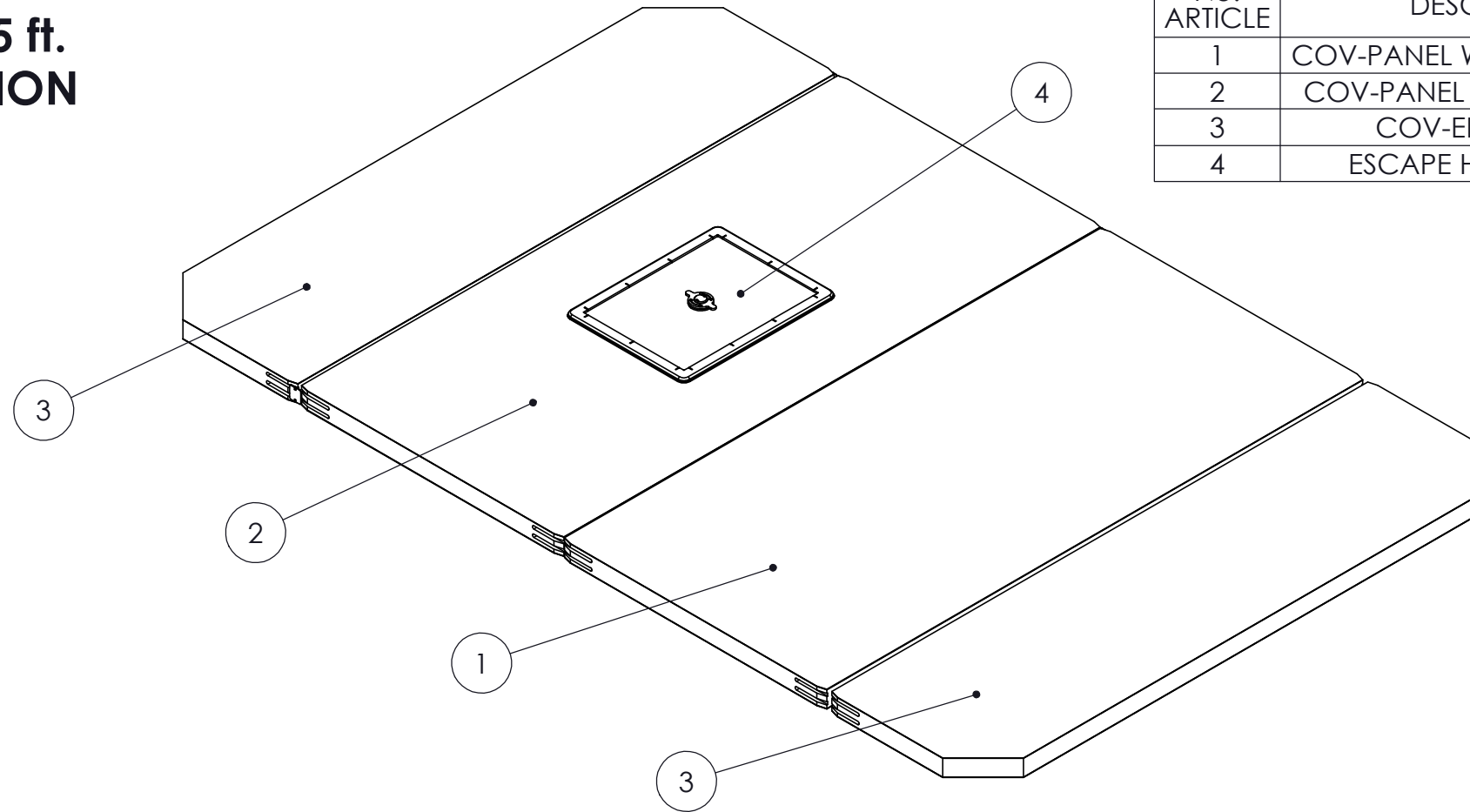
PART NUMBER	
MOCHA	SLATE
226725	226726

LONG C-CHANNEL PACK	
DESCRIPTION	QTY.
COV-LEG-C CHANNEL-LONG	2



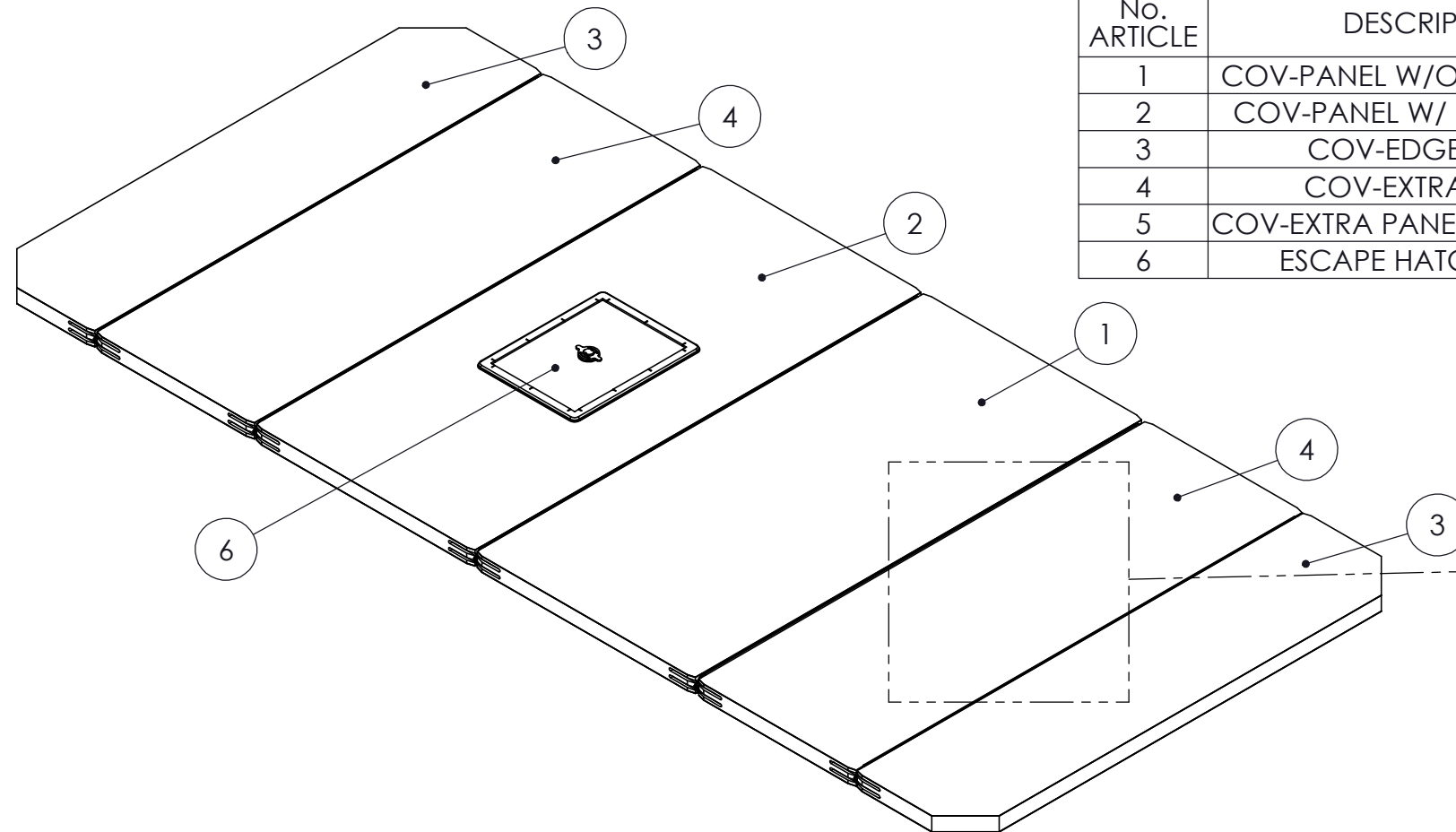
PART NUMBER	
MOCHA	SLATE
226727	226729

**COVER 12 to 15 ft.
PANEL SUBSECTION**

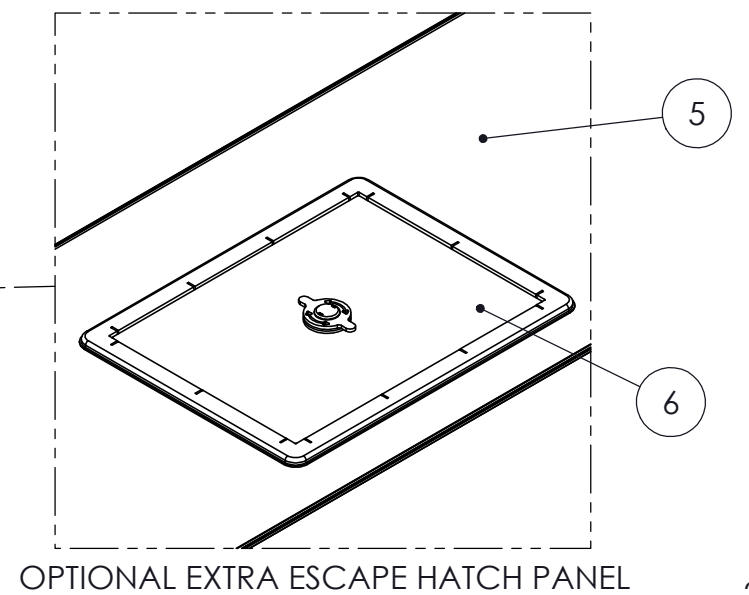


No. ARTICLE	DESCRIPTION	PART NUMBER	CATALOG PAGE
1	COV-PANEL W/O HATCH HOLE	SEE PANEL PACK 1	21
2	COV-PANEL W/ HATCH HOLE	SEE PANEL PACK 2	21
3	COV-EDGE PANEL	SEE PANEL PACK 3	21
4	ESCAPE HATCH DOOR	SEE ESCAPE HATCH PANEL PACK	21

**COVER 16 to 20 ft.
PANEL SUBSECTION**

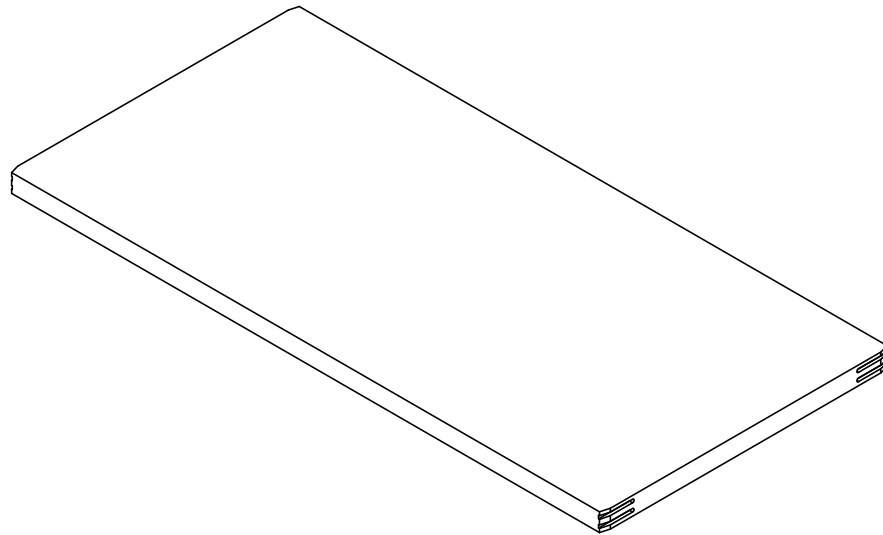


No. ARTICLE	DESCRIPTION	PART NUMBER	CATALOG PAGE
1	COV-PANEL W/O HATCH HOLE	SEE PANEL PACK 1	21
2	COV-PANEL W/ HATCH HOLE	SEE PANEL PACK 2	21
3	COV-EDGE PANEL	SEE PANEL PACK 3	21
4	COV-EXTRA PANEL	SEE PANEL PACK 4	21
5	COV-EXTRA PANEL HATCH HOLE	SEE PANEL PACK 5	21
6	ESCAPE HATCH DOOR	SEE ESCAPE HATCH PANEL PACK	21



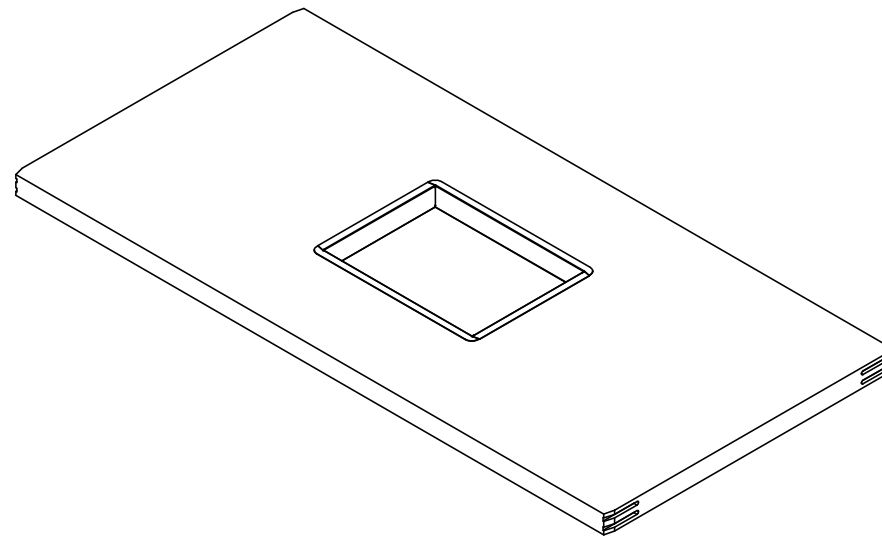
OPTIONAL EXTRA ESCAPE HATCH PANEL

PANEL PACK 1	
DESCRIPTION	QTY.
COV-PANEL W/O HATCH HOLE	1



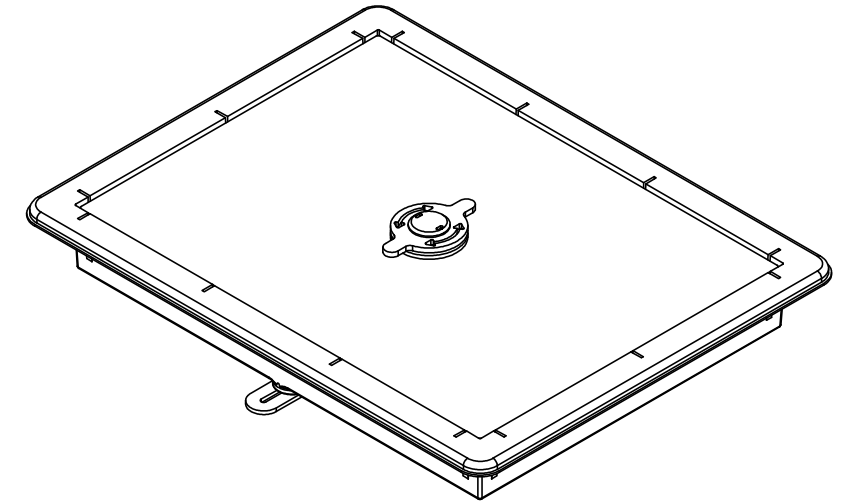
PART NUMBER		
WHITE/WHITE	LATTE/WHITE	PLATINUM/WHITE
209325	225889	225888

PANEL PACK 2	
DESCRIPTION	QTY.
COV-PANEL W/ HATCH HOLE	1



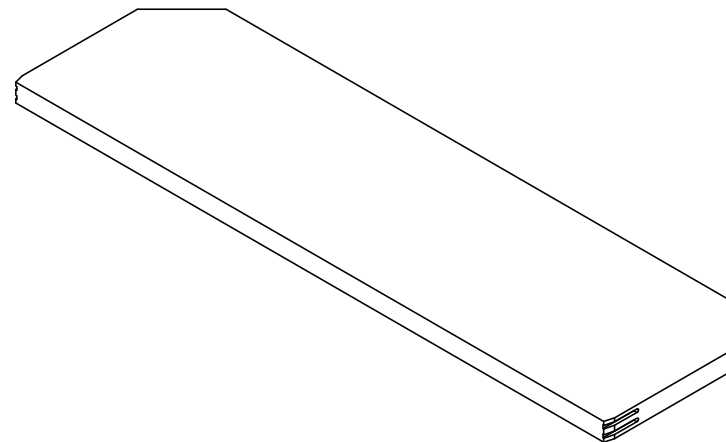
PART NUMBER		
WHITE/WHITE	LATTE/WHITE	PLATINUM/WHITE
209323	225879	225880

ESCAPE HATCH PANEL PACK	
DESCRIPTION	QTY.
COV-GEN-ESCAPE HATCH DOOR	1



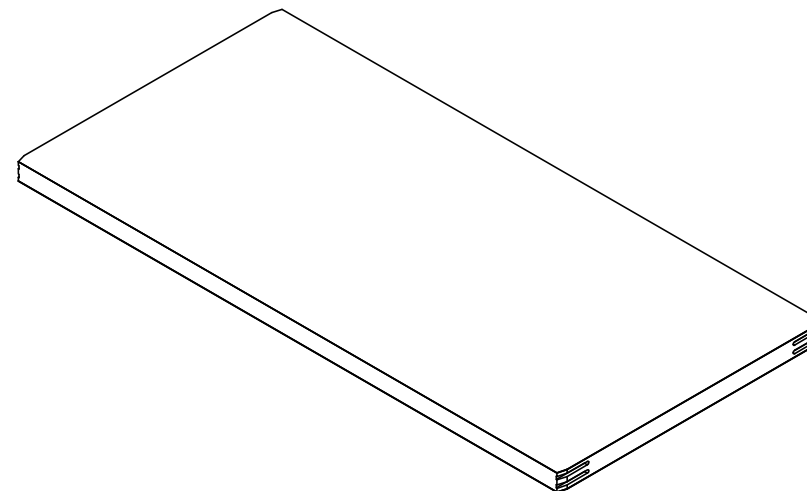
PART NUMBER		
WHITE/WHITE	LATTE/WHITE	PLATINUM/WHITE
209247	225897	225896

PANEL PACK 3	
DESCRIPTION	QTY.
COV-EDGE PANEL	1



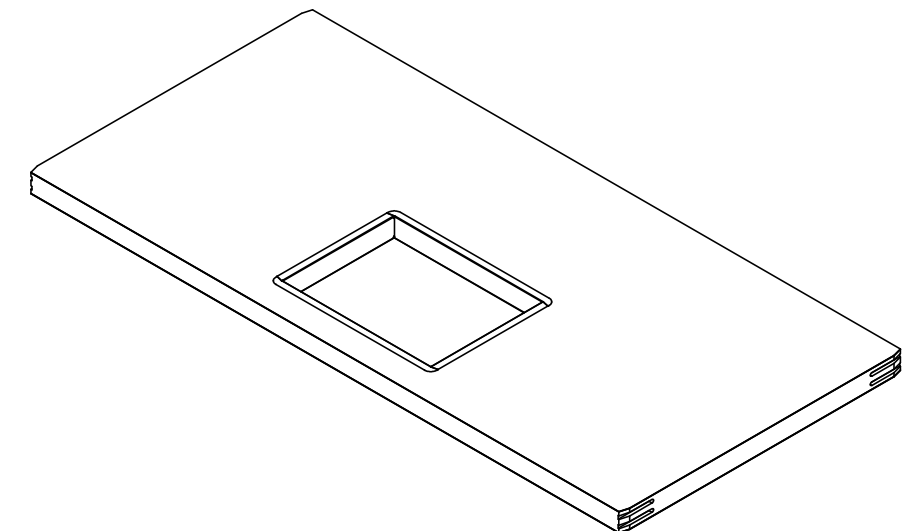
PART NUMBER			
COVER	WHITE/WHITE	LATTE/WHITE	PLATINUM/WHITE
12'	209328	227148	227149
13'	209329	227150	227151
14'	209330	227152	227153
15'	209331	227154	227155
16' TO 19'	209327	225895	225894
20'	227098	227100	227099

PANEL PACK 4	
DESCRIPTION	QTY.
COV-EXTRA PANEL W/O HATCH FRAME	1



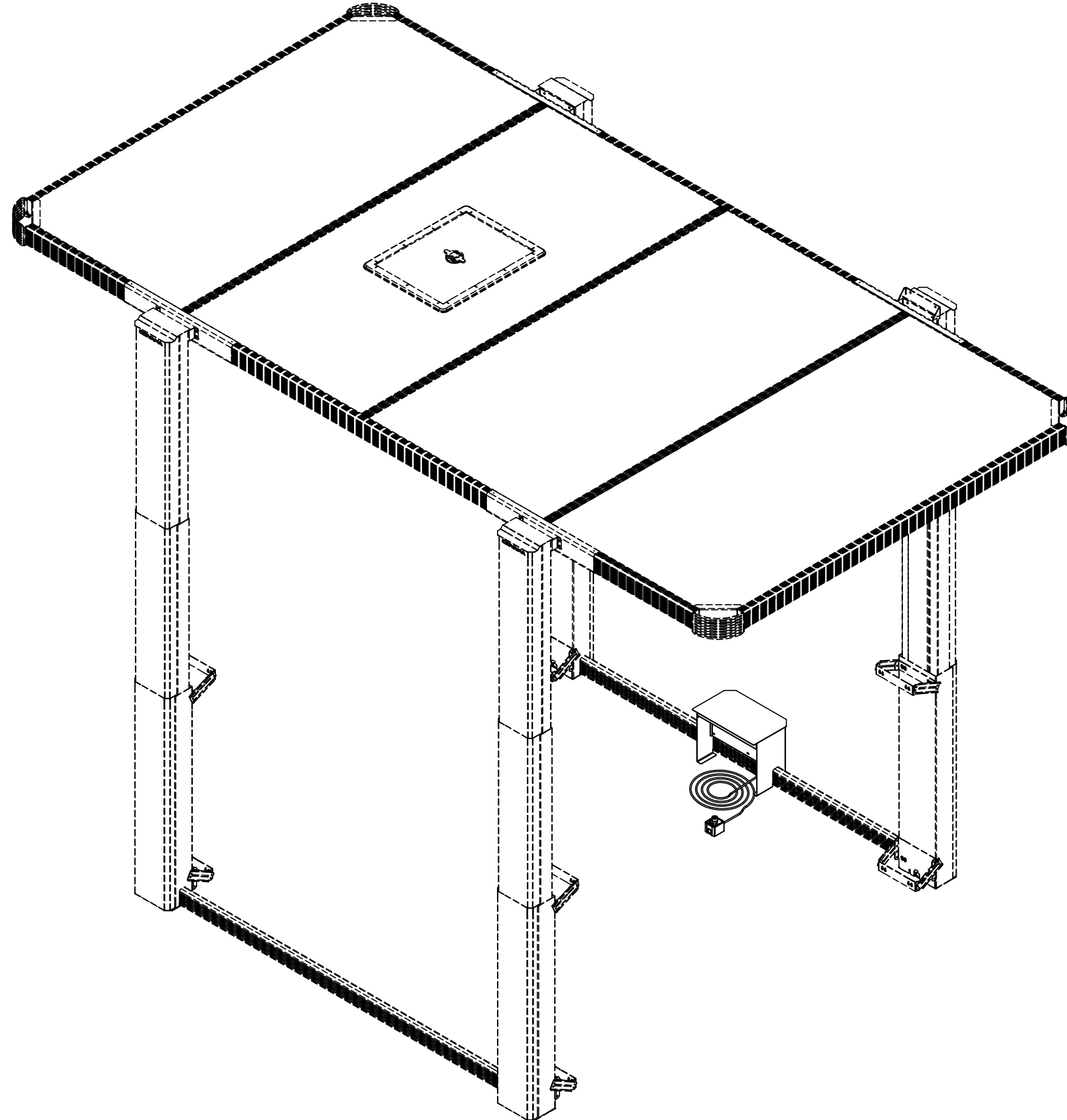
PART NUMBER			
COVER	WHITE/WHITE	LATTE/WHITE	PLATINUM/WHITE
16'	209316	227808	227809
17'	209317	225891	225890
18'	209318	227833	227834
19'	209319	227835	227836
20'	209325	225889	225888

PANEL PACK 5	
DESCRIPTION	QTY.
COV-EXTRA PANEL WITH HATCH FRAME	1



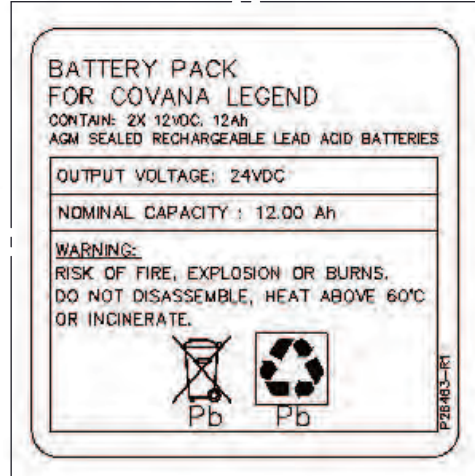
PART NUMBER			
COVER	WHITE/WHITE	LATTE/WHITE	PLATINUM/WHITE
16'	214338	227964	227965
17'	214339	227966	226283
18'	214340	227967	227968
19'	214341	227969	227970
20'	209324	227971	227972

SECTION 5: POWER BOX & KEY SWITCH ASSEMBLY

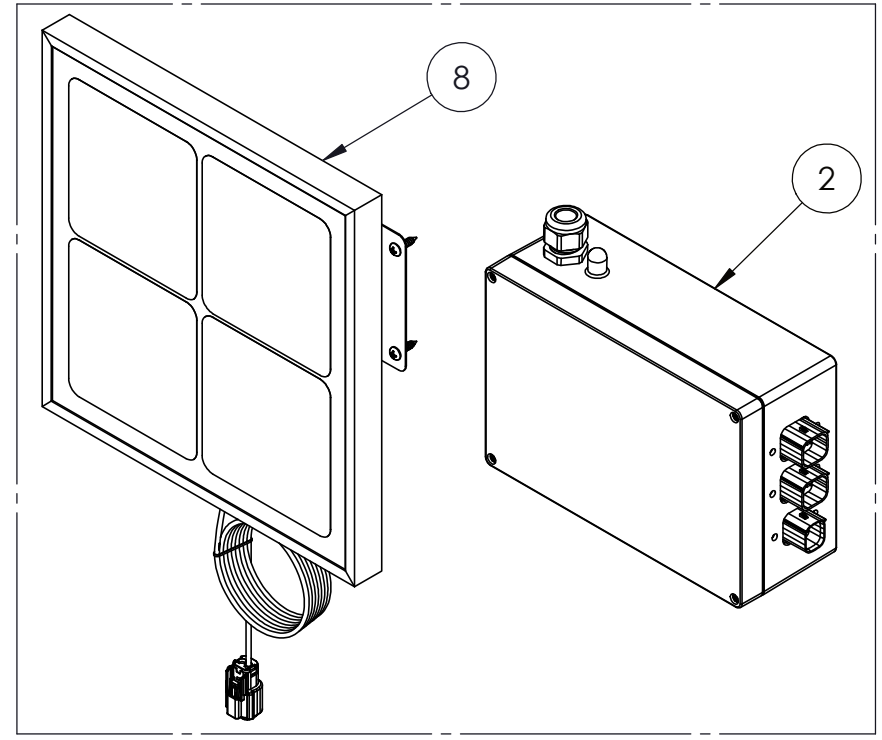
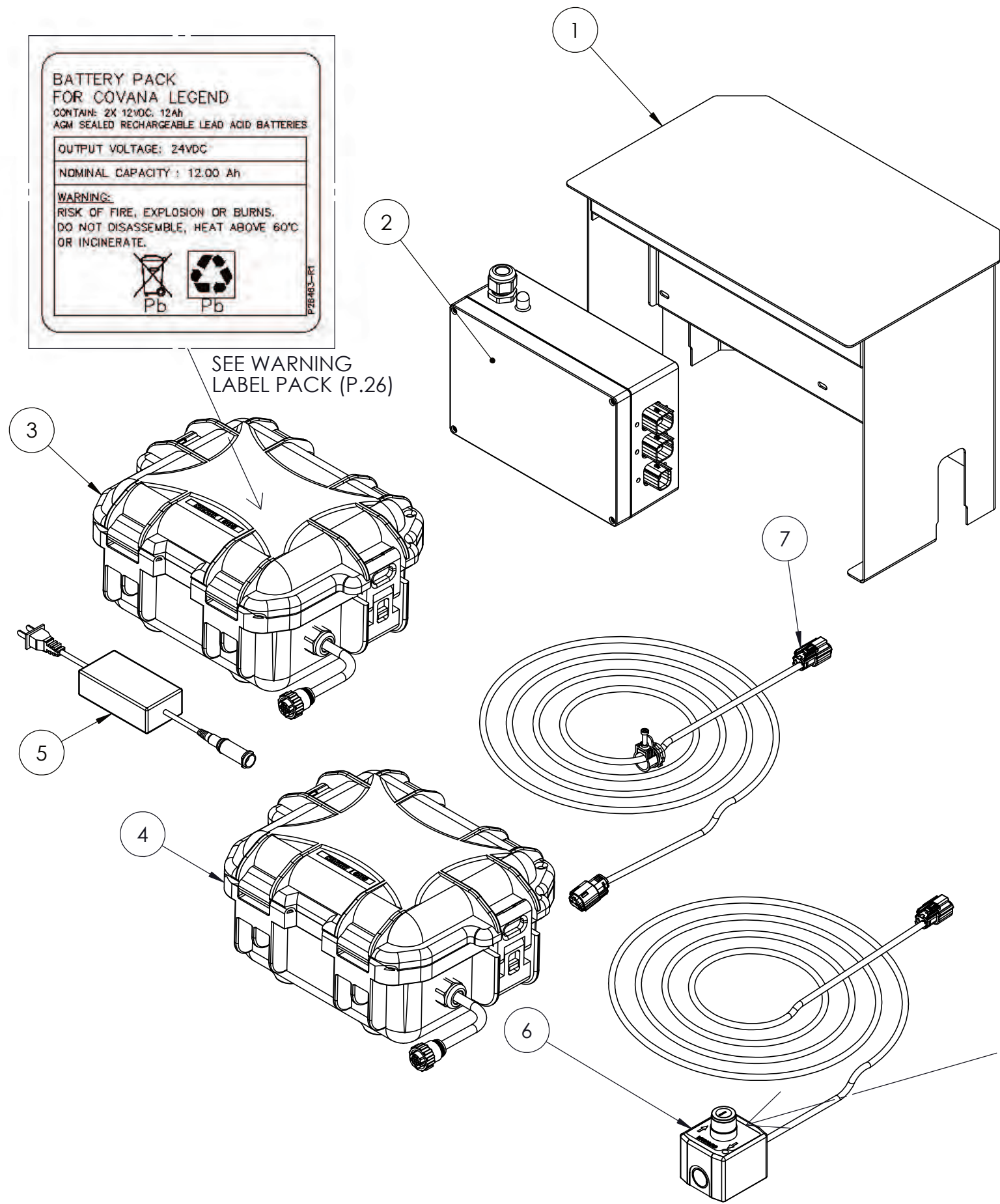


LEGEND - SOLAR PANEL (OPTIONAL)

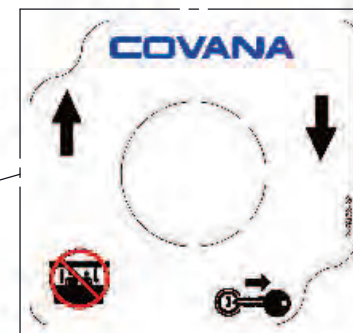
ITEM#	DESCRIPTION	PART # (MOCHA)	PART # (SLATE)	CATALOG PAGE
1	COV-LEG-POWER BOX ASS'Y	211105	211107	N/A
2	COV-LEG-CONTROL BOX ASS'Y-SOLAR	210830		N/A
3	COV-LEG-24V/12AH-BATTERY PACK-NORTH AMERICA	215732		N/A
4	COV-LEG-24V/12AH-BATTERY PACK-EUROPE	230554		N/A
5	COV-LEG-24/16V-1.5A-CHARGER ASS'Y -CPC PLUG	SEE CHARGER PLUG PACK		24
6	COV-LEG-KEYSWITCH ASS'Y WITH CABLE	SEE KEYSWITCH ASSEMBLY PACK		24
7	EH-COV-LEG-EM CABLE	SEE MOTOR HARNESS PACK		24
8	SOLAR PANEL WITH HARNESS & SCREWS	226732		N/A
9	COV-LEG-BATTERY CASE-WITHOUT BATTERY	215730		N/A



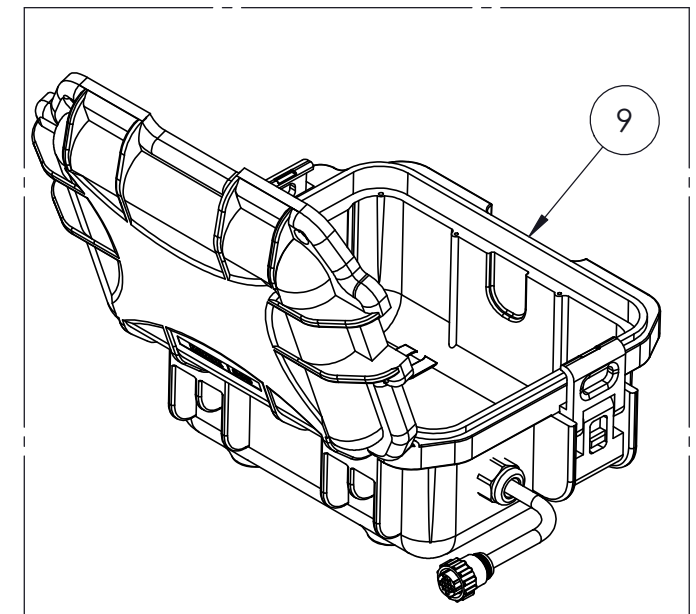
SEE WARNING LABEL PACK (P.26)



SOLAR CONTROLLER



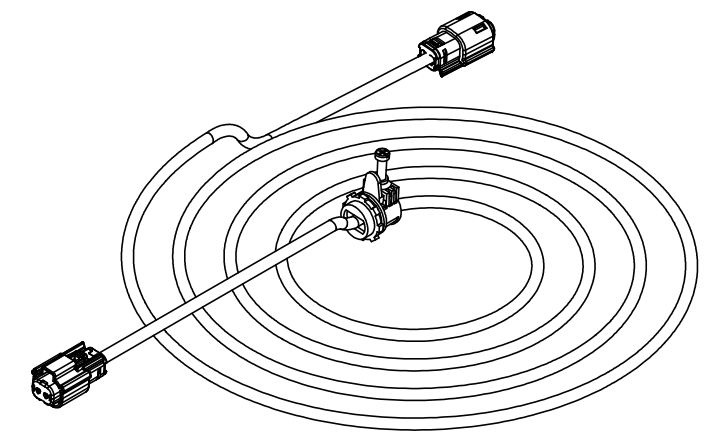
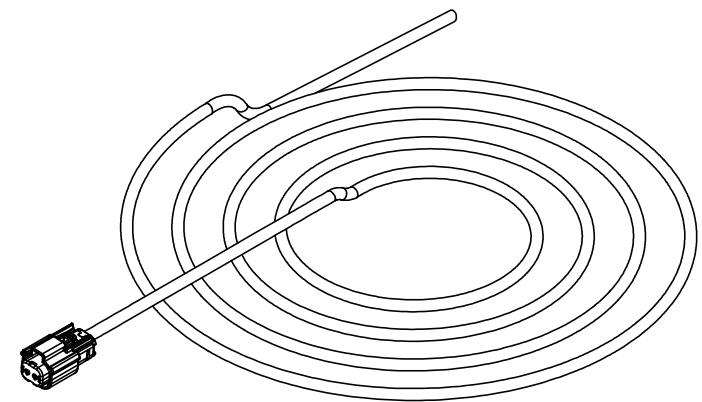
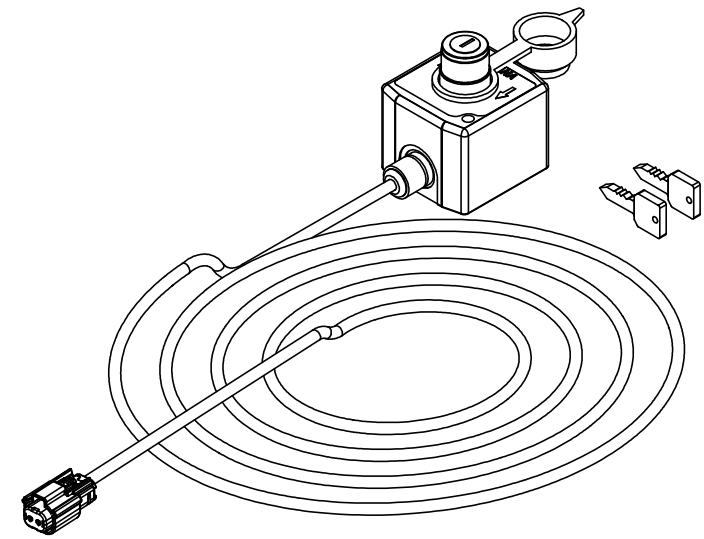
SEE WARNING LABEL PACK (P.26)



KEYSWITCH ASSEMBLY PACK	
DESCRIPTION	QTY.
COV-KEY SWITCH-ASS'Y	1
KEY SWITCH HARNESS -25 FT.	1
KEY	1
KEYSWITCH RUBBER CAP	1

KEYSWITCH HARNESS PACK	
DESCRIPTION	QTY.
KEYSWITCH HARNESS	1

MOTOR HARNESS PACK	
DESCRIPTION	QTY.
GEAR MOTOR HARNESS	1
METAL CLAMP-BX L16	1



PART NUMBER
226730

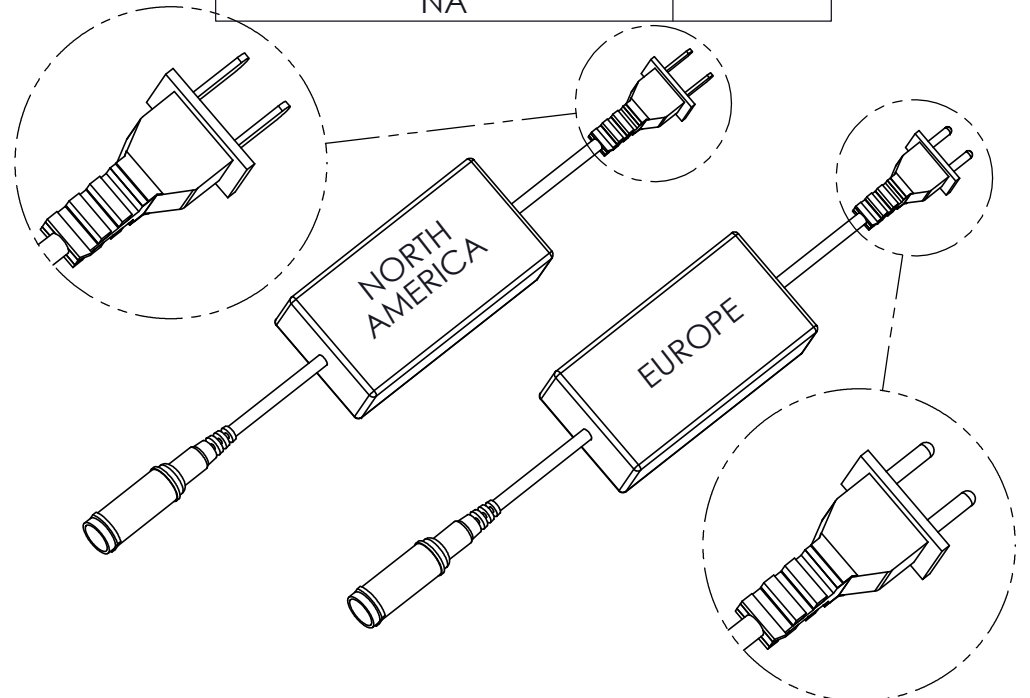
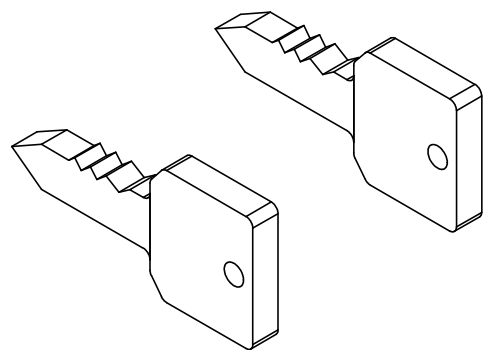
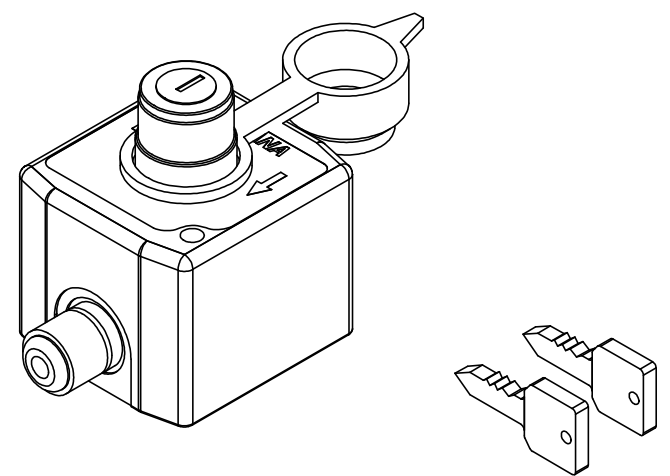
PART NUMBER
209210

CABLE LENGTH	PART NUMBER
9 FT.	209246
20.6 FT.	209245
25 FT.	211195

KEYSWITCH PACK	
DESCRIPTION	QTY.
COV-KEY SWITCH-ASS'Y	1
KEYSWITCH RUBBER CAP	1
KEY	2

KEYS PACK	
DESCRIPTION	QTY.
KEY	2

CHARGER PLUG PACK	
DESCRIPTION	QTY.
COV-LEG-24/16V-1.5A-CHARGER ASS'Y -CPC PLUG-NA	1

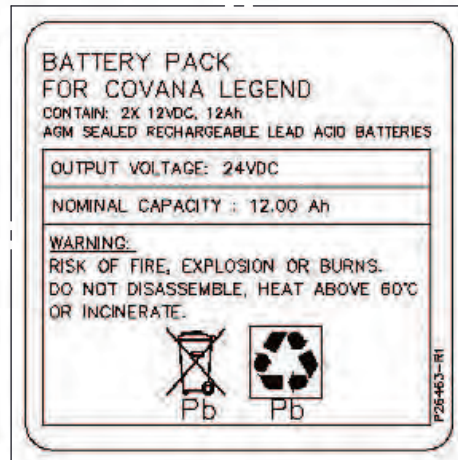


PART NUMBER
226731

PART NUMBER
228311

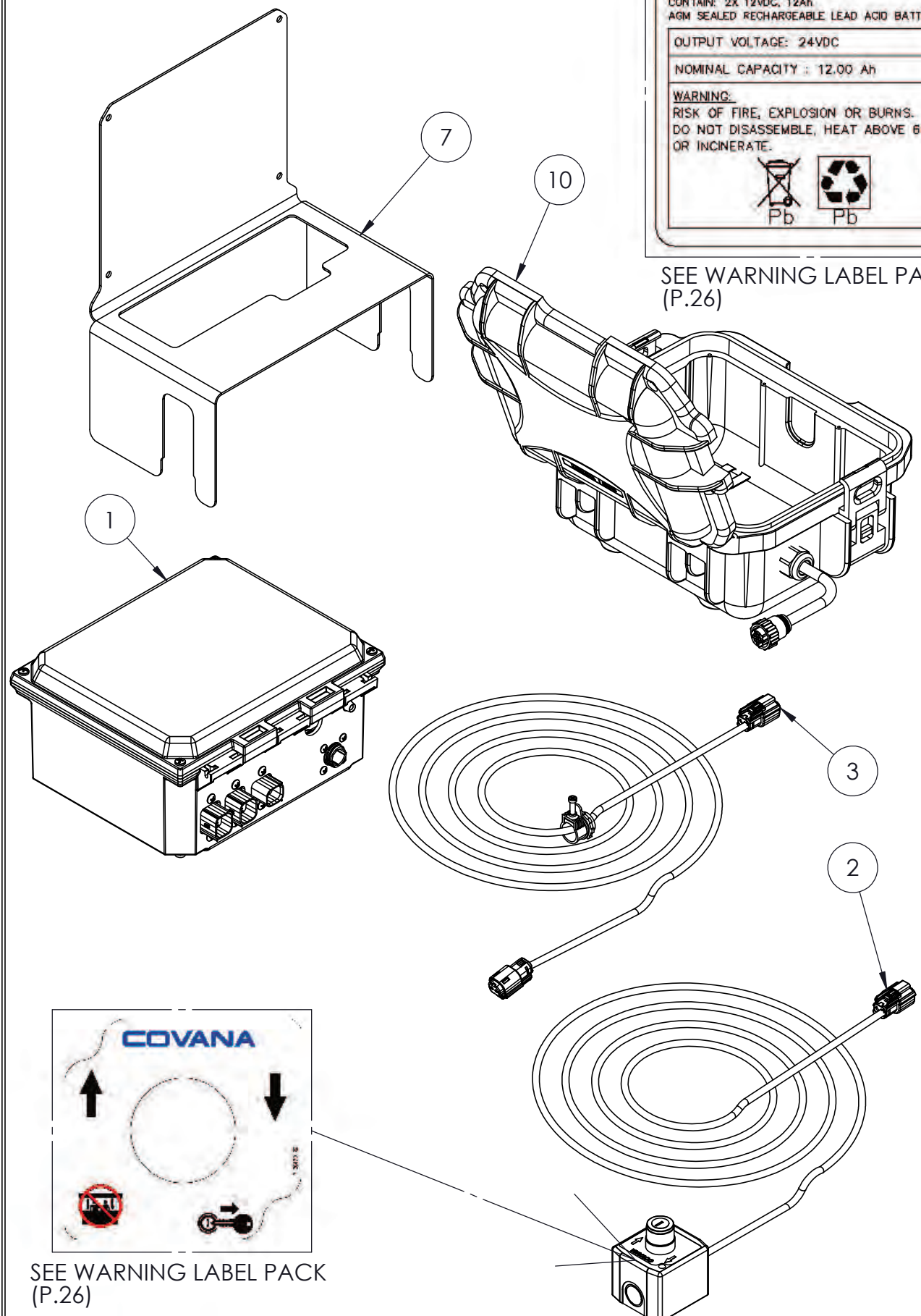
PART NUMBER	
NORTH AMERICA	EUROPE
209211	210897

LEGEND - AC MODEL

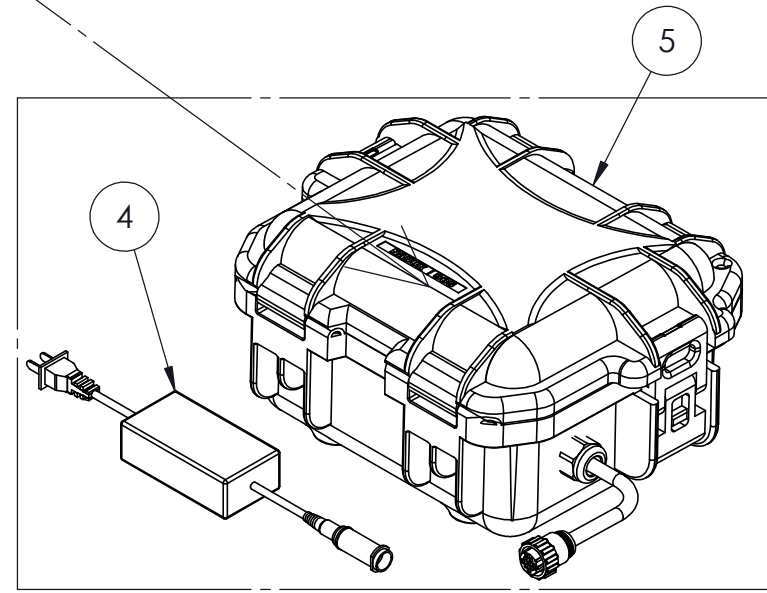


SEE WARNING LABEL PACK (P.26)

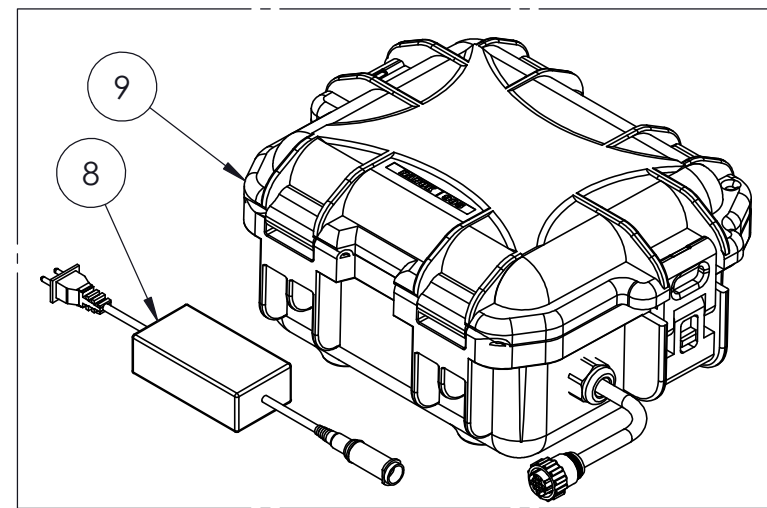
No. ARTICLE	DESCRIPTION	PART NUMBER (MOCHA)	PART NUMBER (SLATE)	CATALOG PAGE
1	COV-LEG-CONTROL BAX-AC	228516	228517	N/A
2	COV-LEG-KEYSWITCH ASS'Y WITH CABLE	SEE KEYSWITCH PACK		24
3	EH-COV-LEG-EM CABLE	SEE MOTOR HARNESS PACK		24
4	COV-LEG-24/16V-1.5A-CHARGER ASS'Y -CPC PLUG-NA	SEE CHARGER PLUG PACK		24
5	COV-LEG-24V/12AH-BATTERY PACK-NORTH AMERICA	215732		N/A
6	POWER SUPPLY 110-240V	216236		N/A
7	COV-GEN-CONTROL BOX STAND	227075	227076	N/A
8	COV-LEG-24/16V-1.5A-CHARGER ASS'Y -CPC PLUG-EUR	SEE CHARGER PLUG PACK		24
9	COV-LEG-24V/12AH-BATTERY PACK-EUROPE	230554		N/A
10	COV-LEG-24V/12AH-BATTERY PACK-NORTH AMERICA	215730		N/A



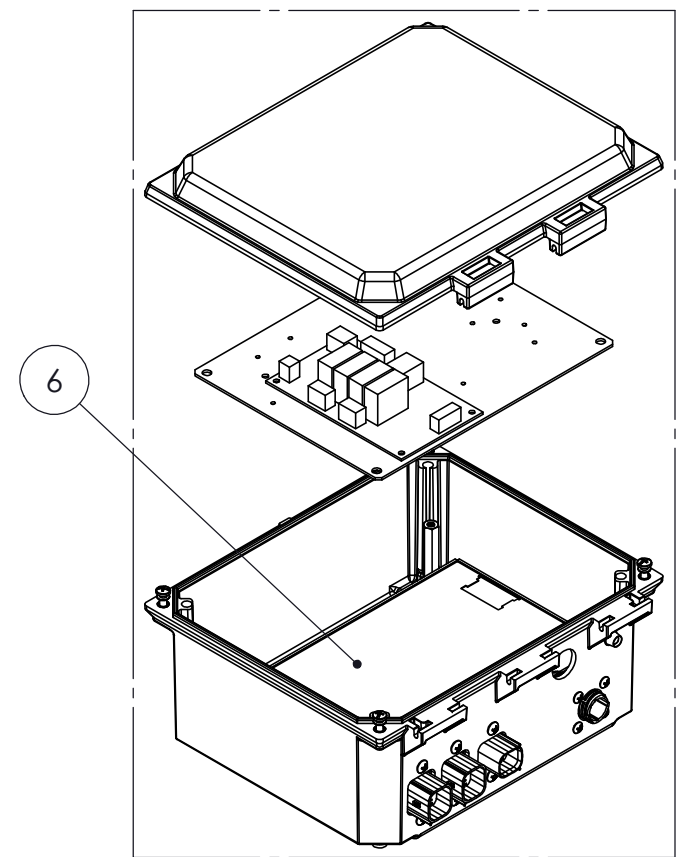
SEE WARNING LABEL PACK (P.26)



NORTH AMERICA
OPTIONAL EMERGENCY BATTERY PACK
231018



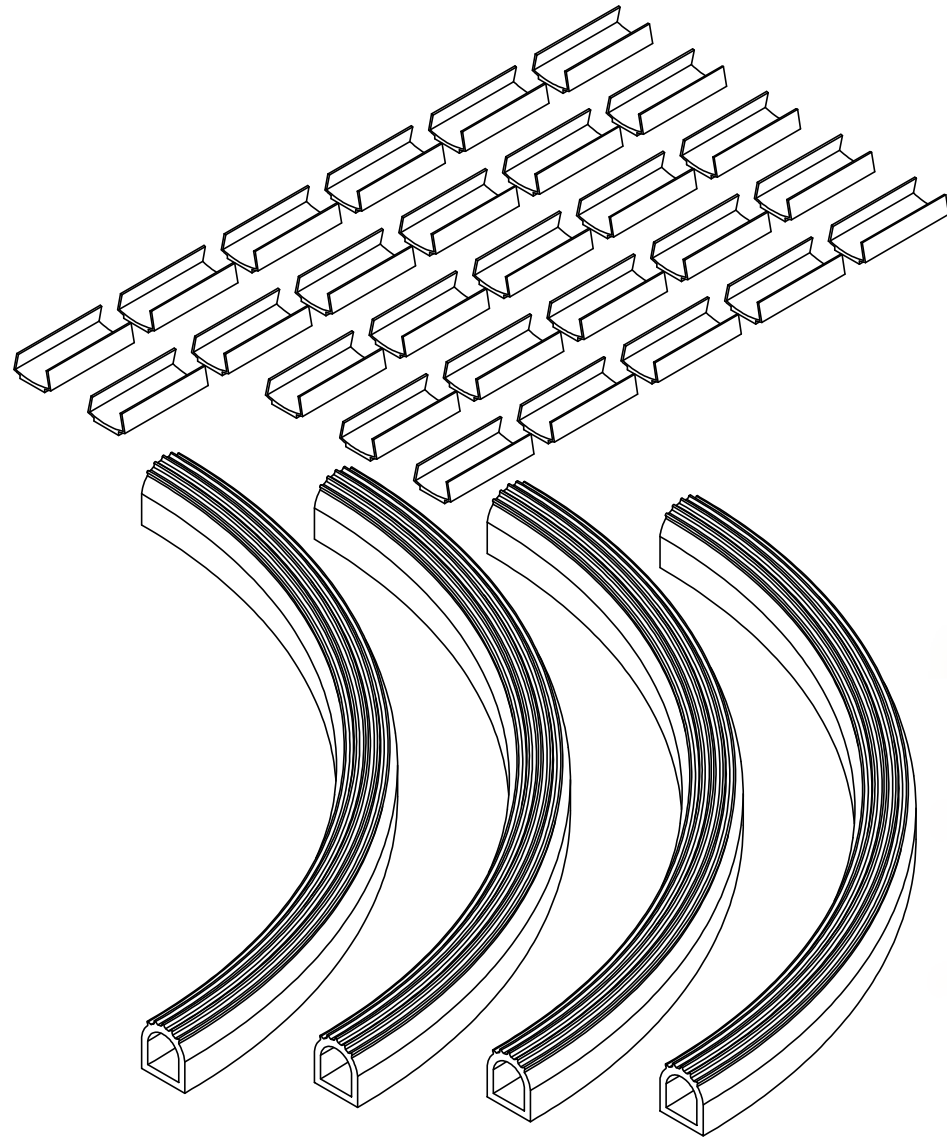
EUROPE
OPTIONAL EMERGENCY BATTERY PACK
231019



CONTROL BOX EXPLODED VIEW

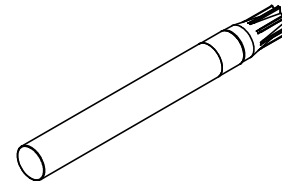
SECTION 6: SPECIAL PACKS

SHOWROOM UNIT INSTALLATION PACK	
DESCRIPTION	QTY.
MOUNTING CLIP	27
SEAL 1" PROFILE 2828W 12in. LONG	4
SHOWROOM UNIT INSTALLATION TIPS	1



PART NUMBER	
ENGLISH	228729

COLOR TOUCH-UP PEN PACK	
DESCRIPTION	QTY.
COLOR TOUCH-UP PEN	1



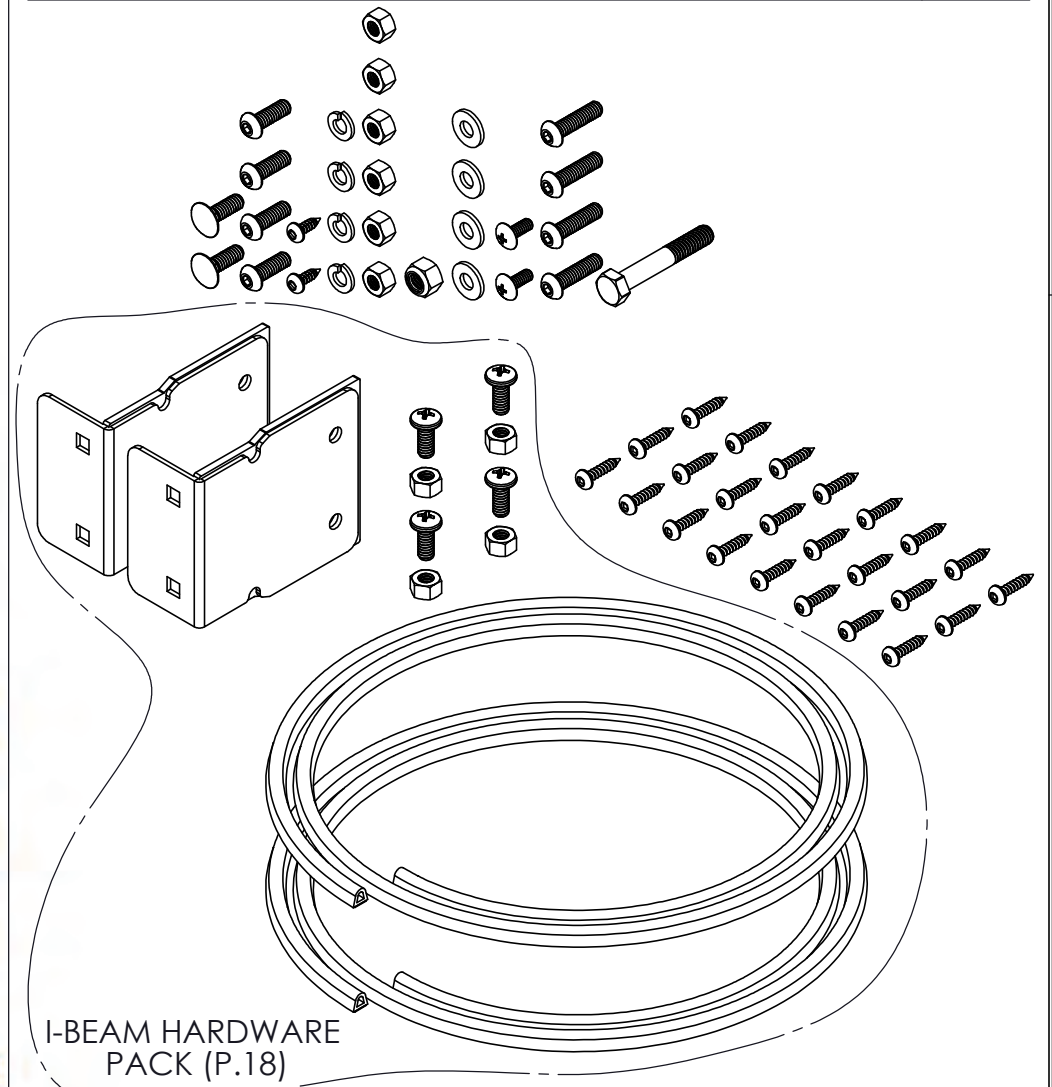
PART NUMBER	
MOCHA	SLATE
201234	201235

WARNING LABEL PACK		
DESCRIPTION	QTY. (ENGLISH)	QTY. (FRENCH)
DO NOT STEP ON COVER	1	1
COVANA SAFETY (FRENCH)	-	4
COVANA SAFETY (ENGLISH)	4	-
KEY SWITCH IDENTIFICATION	1	1
OPERATOR KEYSWITCH WARNING	1	1
BATTERY PACK-NAMEPLATE	1	1
OPERATOR WARNING FOR SPA COVER	1	1
OPERATOR NO STEP WARNING	1	1



PART NUMBER	
ENGLISH	FRENCH
226733	226734

TRANSFER PACK	
DESCRIPTION	QTY.
#8 X 3/4"RHSD SLFTP SCREW-Z/P	24
5/16-18 HEX NYLON LOCK NUT-Z/P	1
5/16-18x2" HEX CAP SCREW	1
1/4-20-1 (BUTTON HEAD SOCKET CAP SCREW SS 18-8)	4
#10-24x1/2" TRUSS HEAD PHILLIPS THREAD CUTTING SCREW	2
1/4-20 x 3/4" LG. ALLEN BUTTON HEAD SCREW	4
1/4-20 (HEX NUT SS 316)	6
1/4 LOCK WASHER (SS 316)	4
1/4 FLAT (OD 0.625" S.S.316)	4
I-BEAM HARDWARE PACK	3 OR 5
#8 X 3/4"RHSD SLFTP SCREW-Z/P	2
1/4-20-3/4" CARRIAGE BOLT (SS 18-8)	2

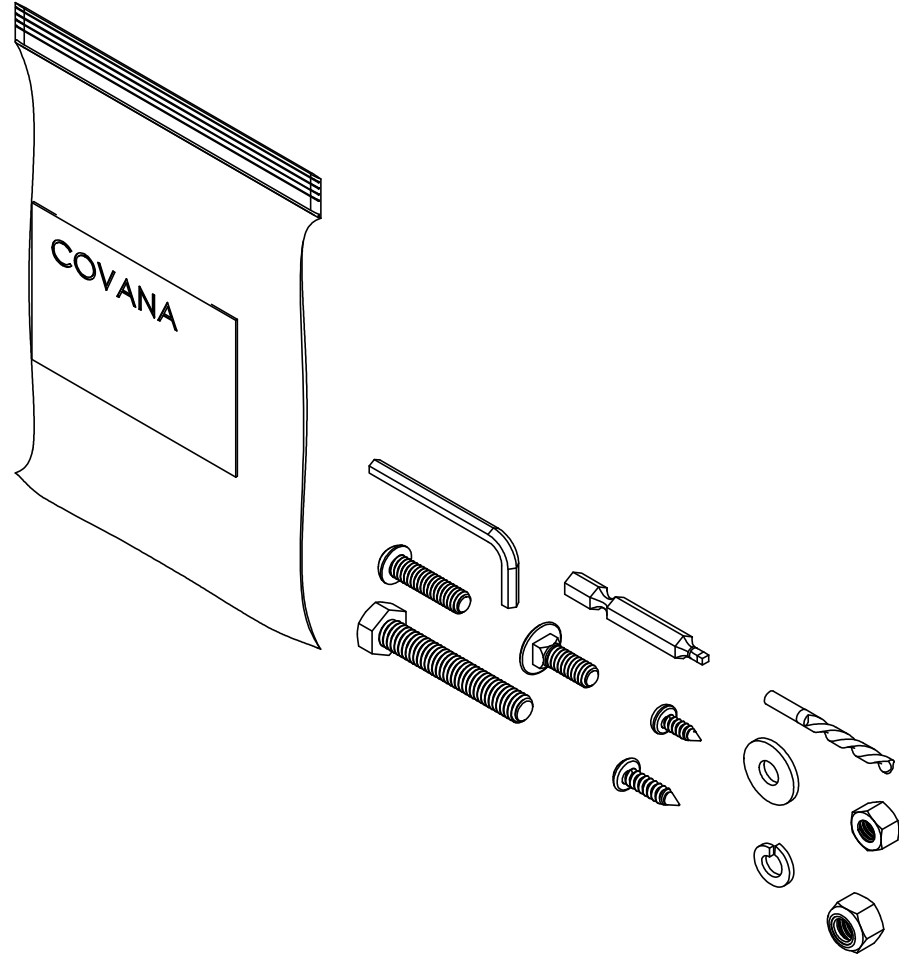


COVER LENGTH	PART NUMBER	
	MOCHA	SLATE
12FT TO 15 FT	228724	228880
16FT TO 20FT	228758	228878

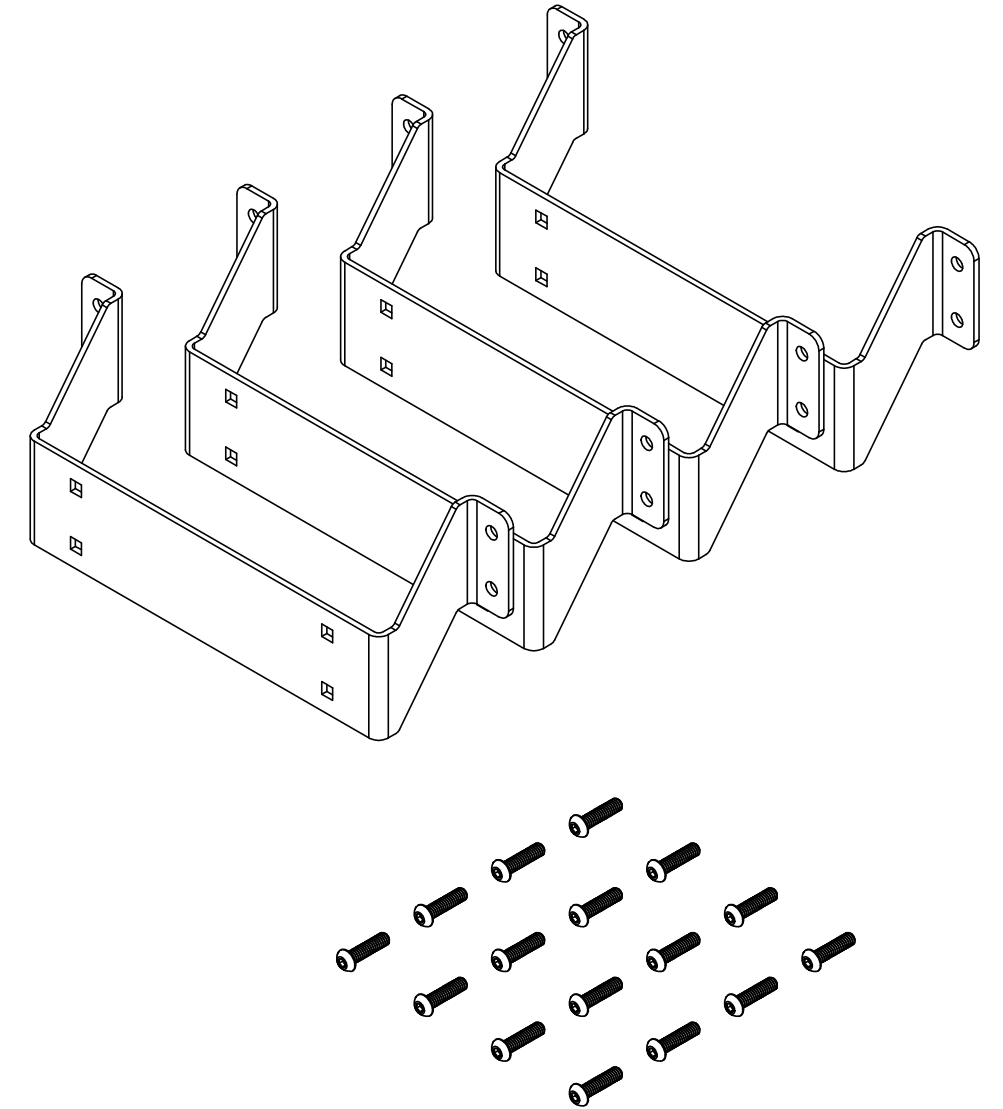
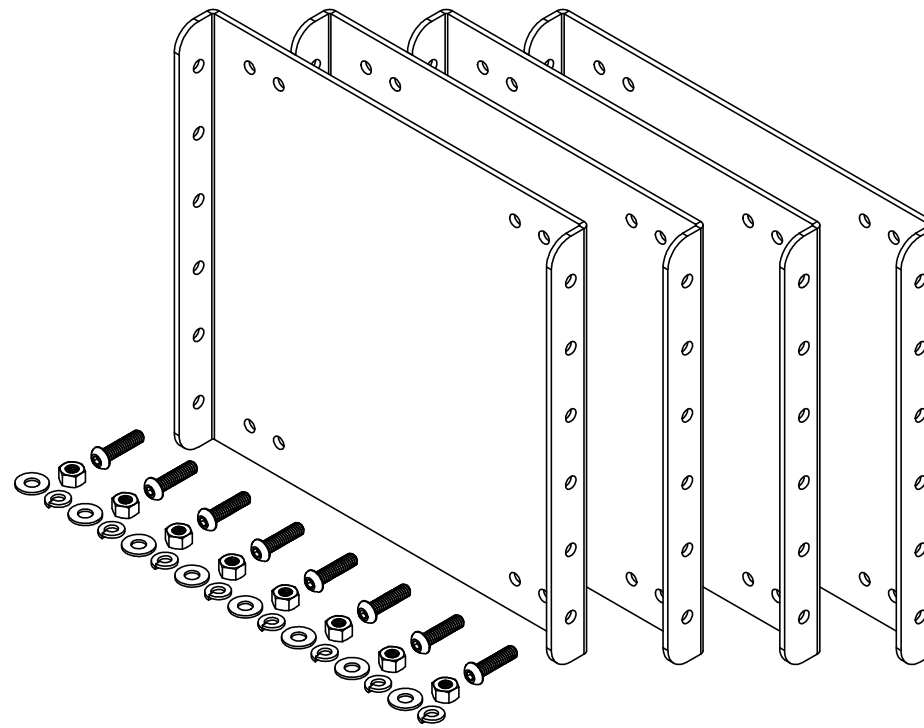
LEGEND HARDWARE PACK	
DESCRIPTION	QTY.
COV-LEG-HARDWARE KIT	1

EXTENDED BRACKET PACK	
DESCRIPTION	QTY.
COV-LEG-BRACKET TUB MOUNT-EXTENDED	4
1/4-20-1 (BUTTON HEAD SOCKET CAP SCREW SS 18-8)	8
1/4-20 (HEX NUT SS 316)	8
1/4 FLAT WASHER (SS 316)	8
1/4 LOCK WASHER (SS 316)	8

DUAL SIDE BRACKET PACK	
DESCRIPTION	QTY.
DUAL SIDE COVER MOUNT BRACKET	4
1/4-20-1 (BUTTON HEAD SOCKET CAP SCREW SS 18-8)	16



THE HARDWARE KIT CONTAINS ALL THE BOLTS AND SCREWS NEEDED FOR A COMPLETE INSTALLATION.



COVER LENGTH	PART NUMBER	
	MOCHA	SLATE
12FT TO 15 FT	209283	209223
16FT TO 20FT	209284	209894

PART NUMBER	
MOCHA	SLATE
228204	228203

PART NUMBER	
MOCHA	SLATE
226699	226700