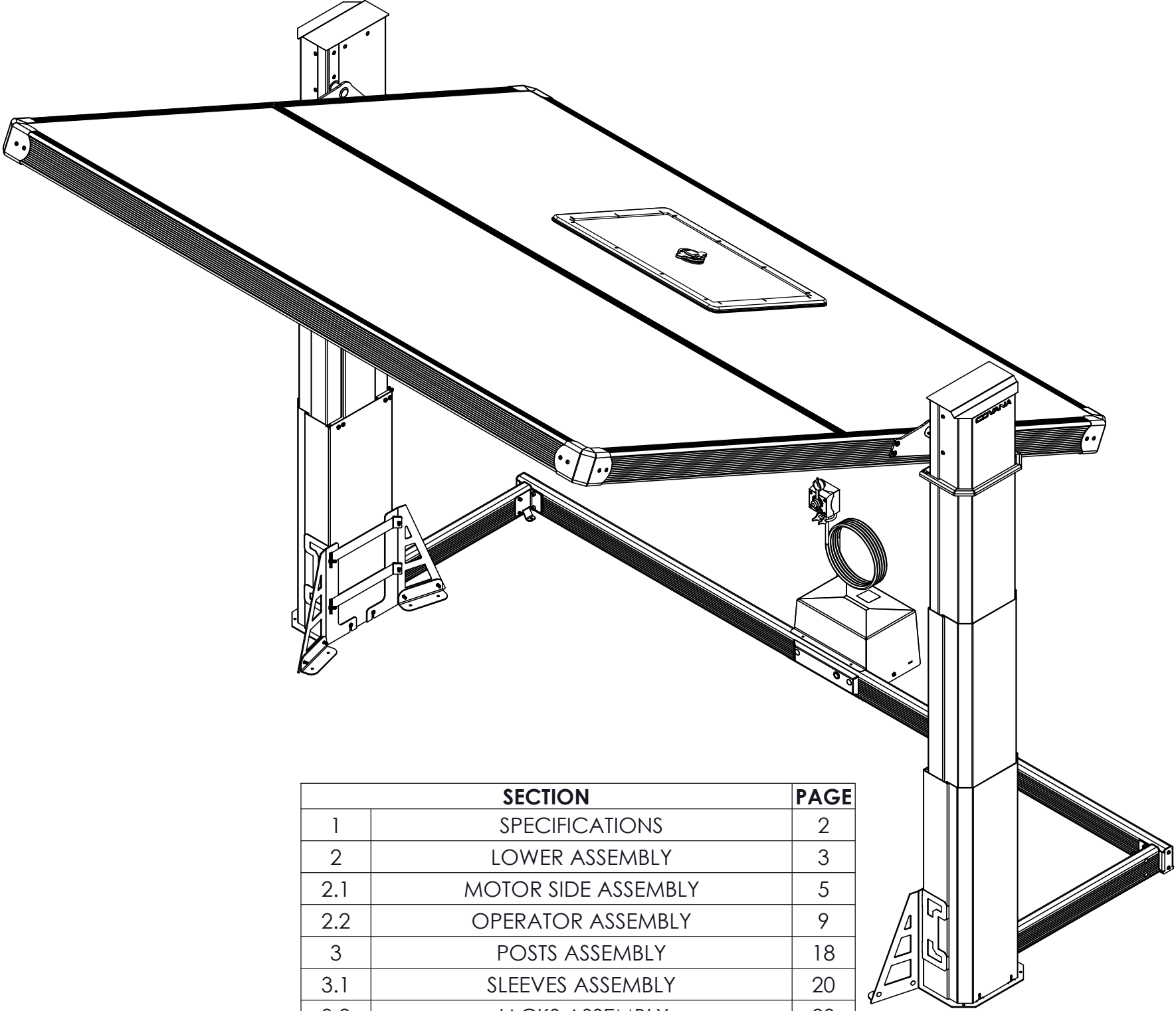


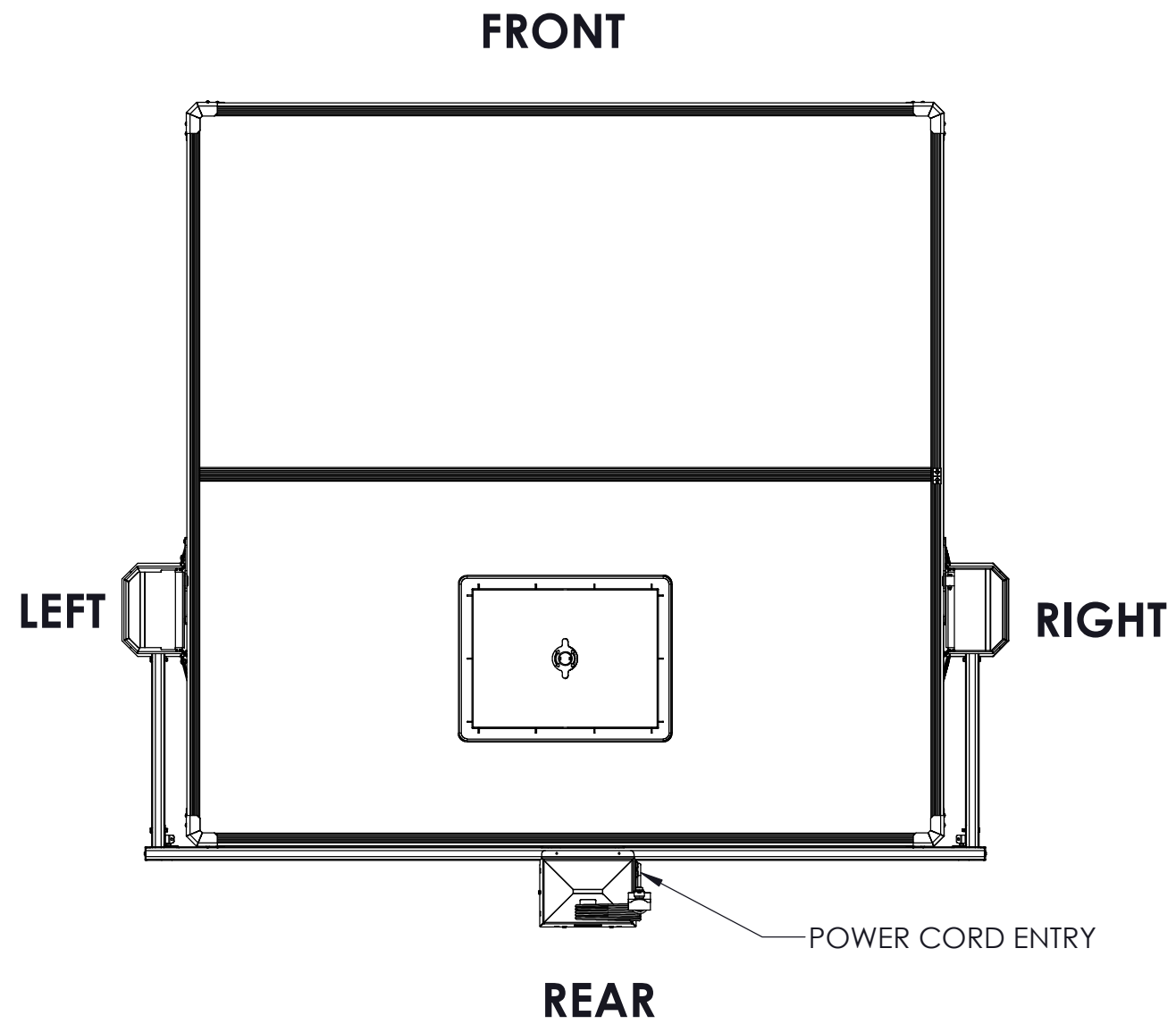
HORIZON PARTS CATALOG 2019



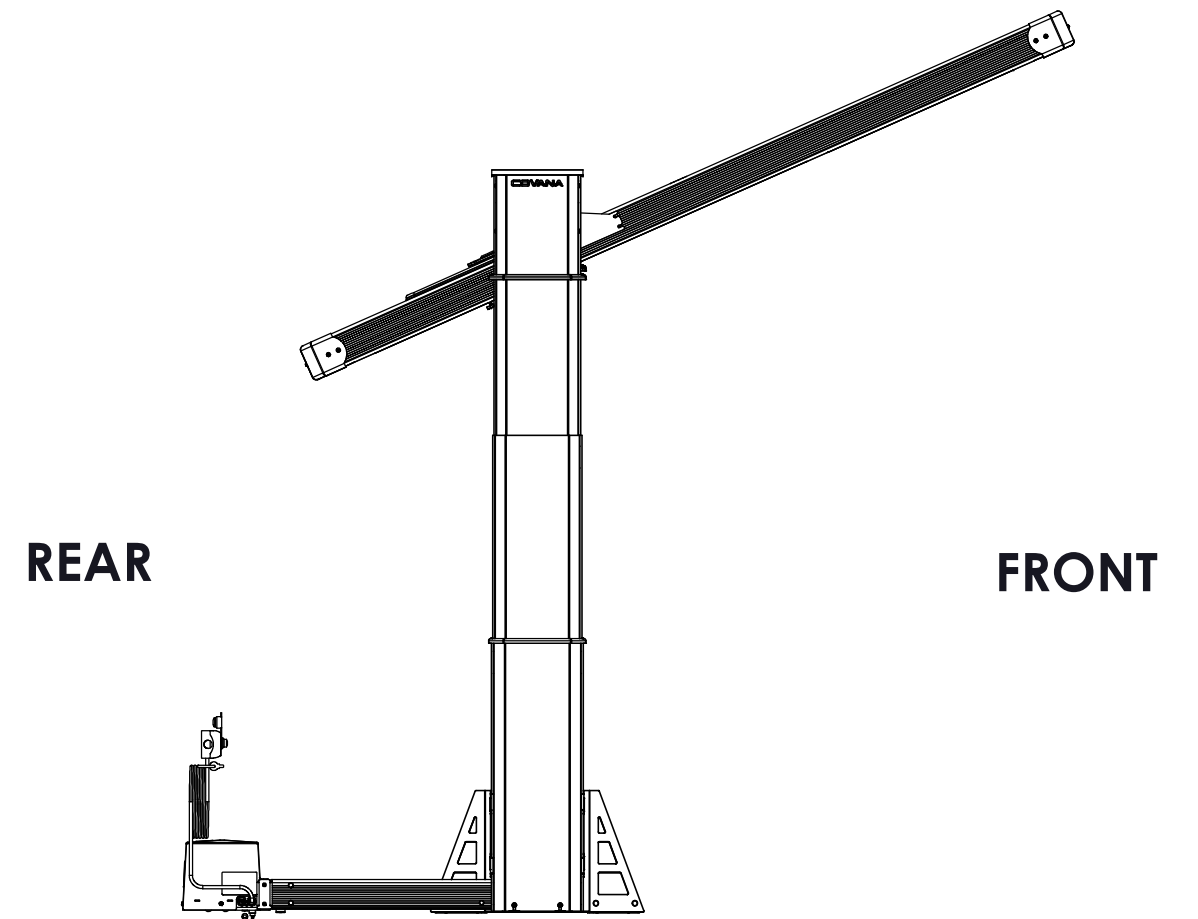
	SECTION	PAGE
1	SPECIFICATIONS	2
2	LOWER ASSEMBLY	3
2.1	MOTOR SIDE ASSEMBLY	5
2.2	OPERATOR ASSEMBLY	9
3	POSTS ASSEMBLY	18
3.1	SLEEVES ASSEMBLY	20
3.2	JACKS ASSEMBLY	23
3.3	PIVOTS ASSEMBLY	27
4	COVER ASSEMBLY	31
4.1	COVER FRAME ASSEMBLY	32
4.2	COVER PANEL ASSEMBLY	35
5	TUB MOUNT & GROUND ANCHORING	36
6	SPECIAL PACKS	38

SPECIFICATIONS SECTION

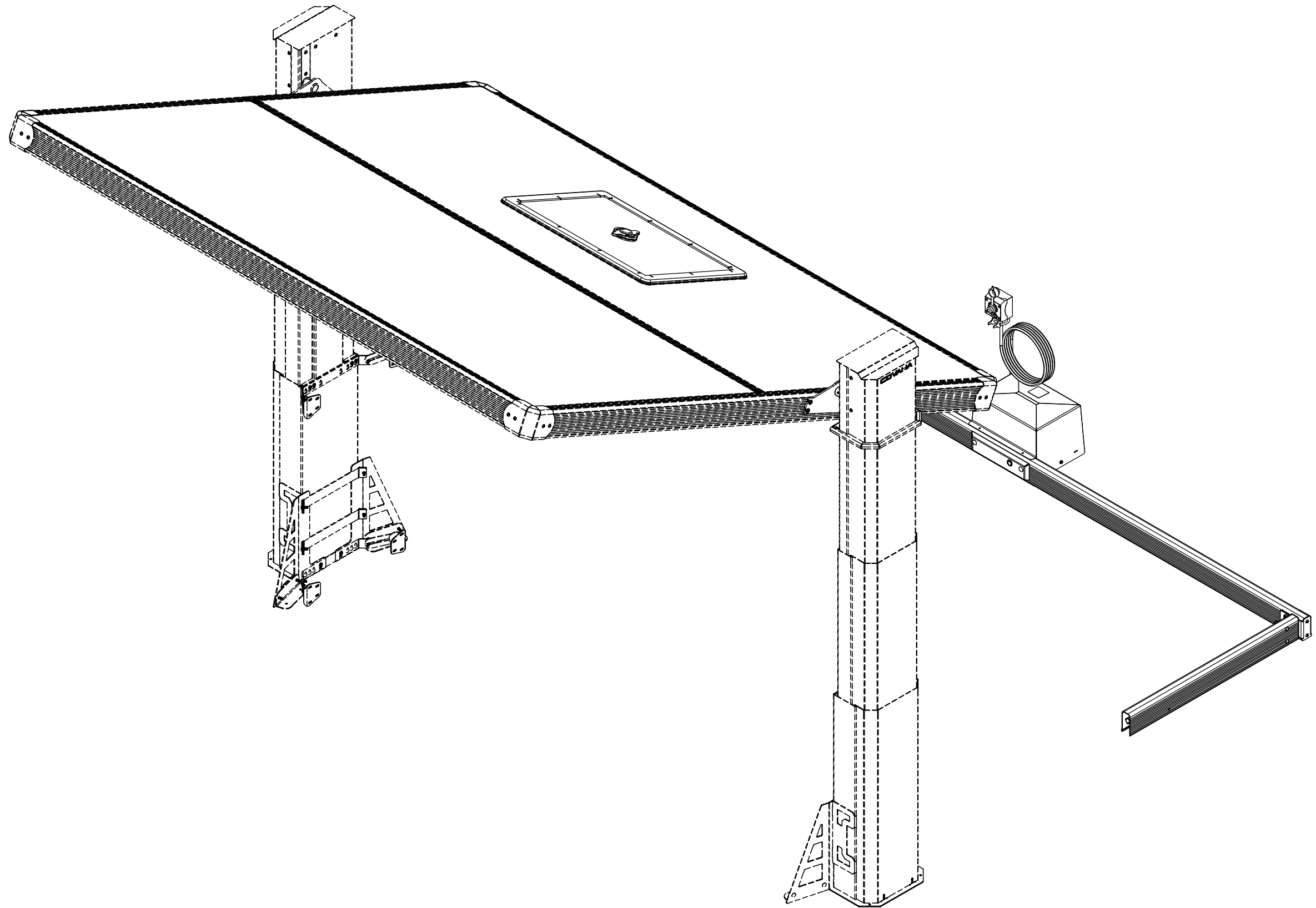
TOP VIEW

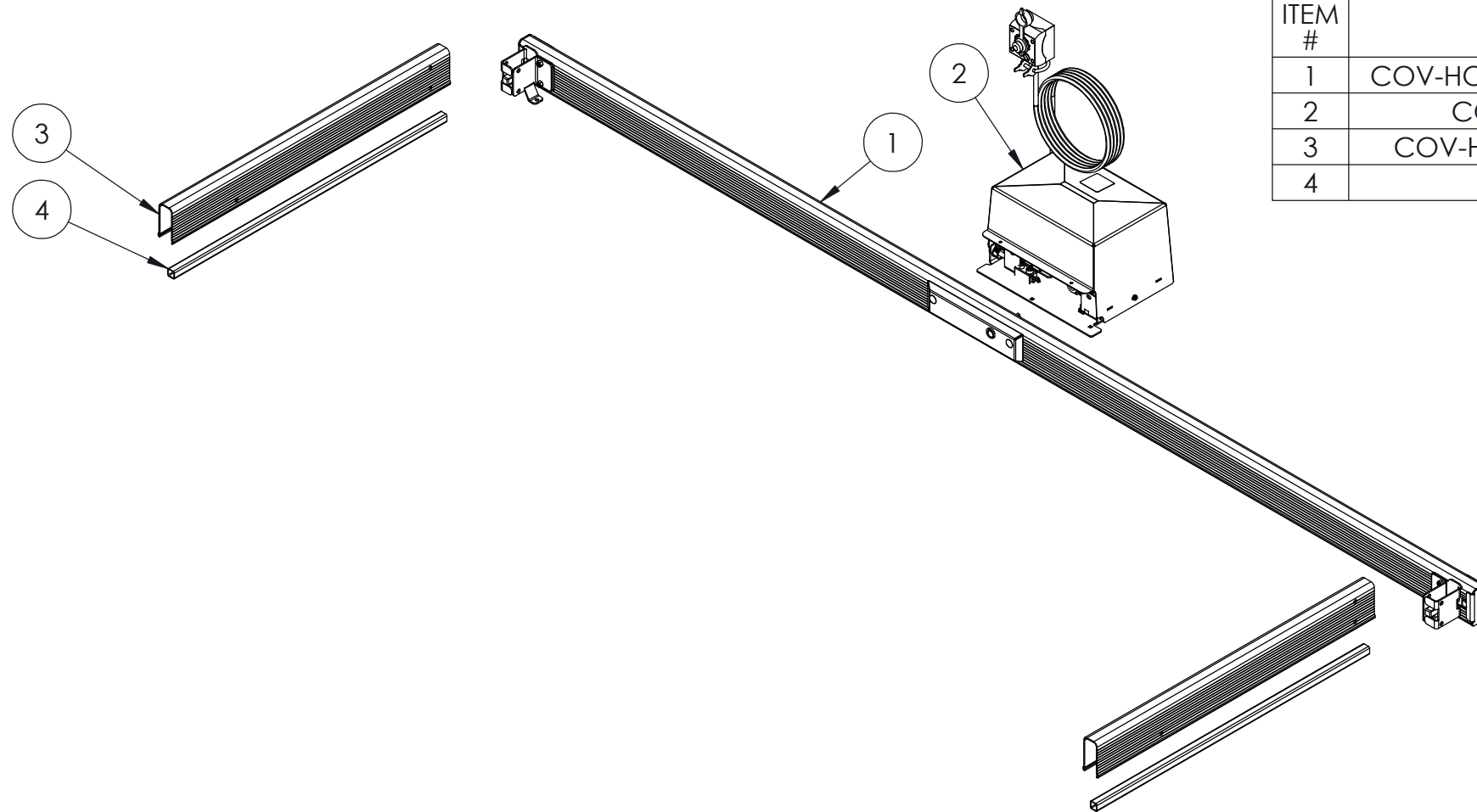


SIDE VIEW



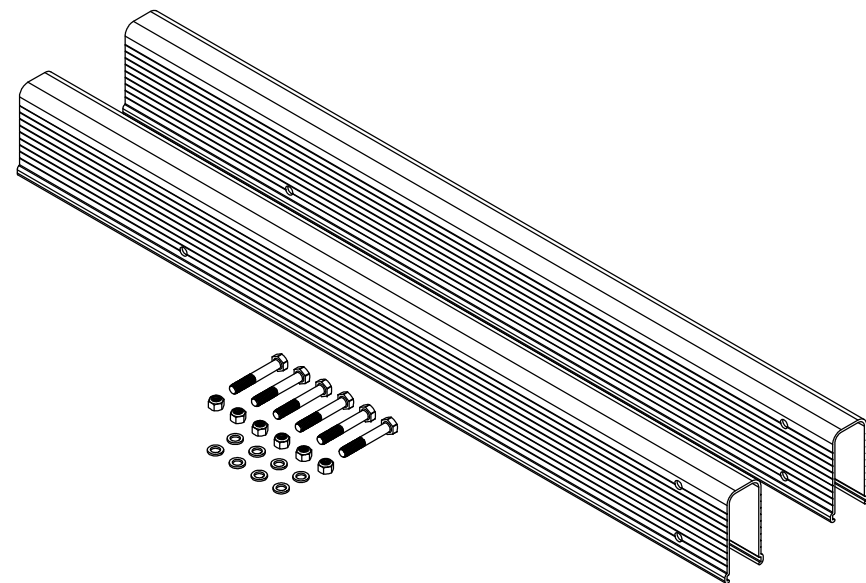
LOWER ASSEMBLY SECTION





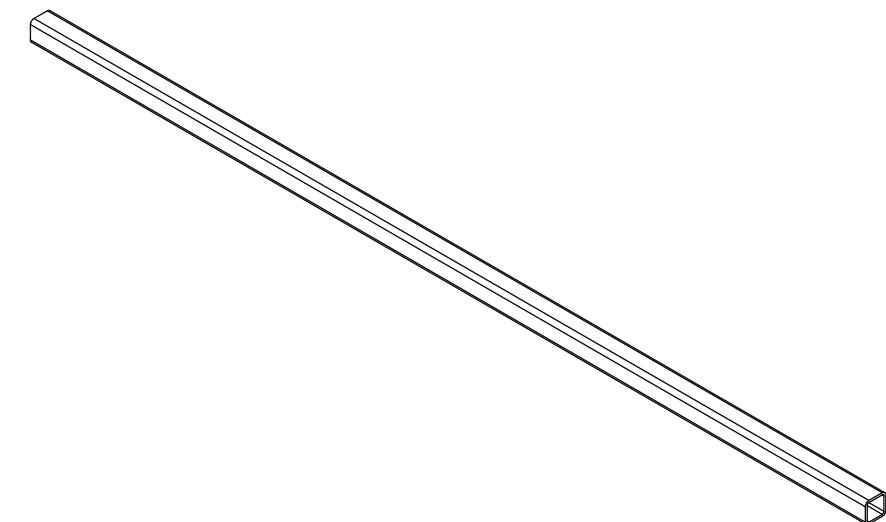
ITEM #	DESCRIPTION	PART NUMBER	CATALOG PAGE
1	COV-HOR-MOTOR U-FRAME ASSEMBLY-GEN2	SEE MOTOR SIDE ASSEMBLY SECTION	6
2	COV-HOR-OPERATOR-ASSEMBLY	SEE OPERATOR ASSEMBLY SECTION	10
3	COV-HOR-FRAME-86-38-2.5-794-W/HOLES	SEE SMALL U-FRAME PACK	4
4	COV-HOR-TUBE-DRIVE SHAFT	SEE DRIVE SHAFT PACK	4

SMALL U-FRAME PACK	
DESCRIPTION	QTY.
COV-HOR-FRAME-86-38-2.5-794-W/HOLES	2
5/16-18x2" HEX CAP SCREW	6
5/16-18 NYLON LOCK NUT-Z/P	6
5/16 NYLON WASHERS	8



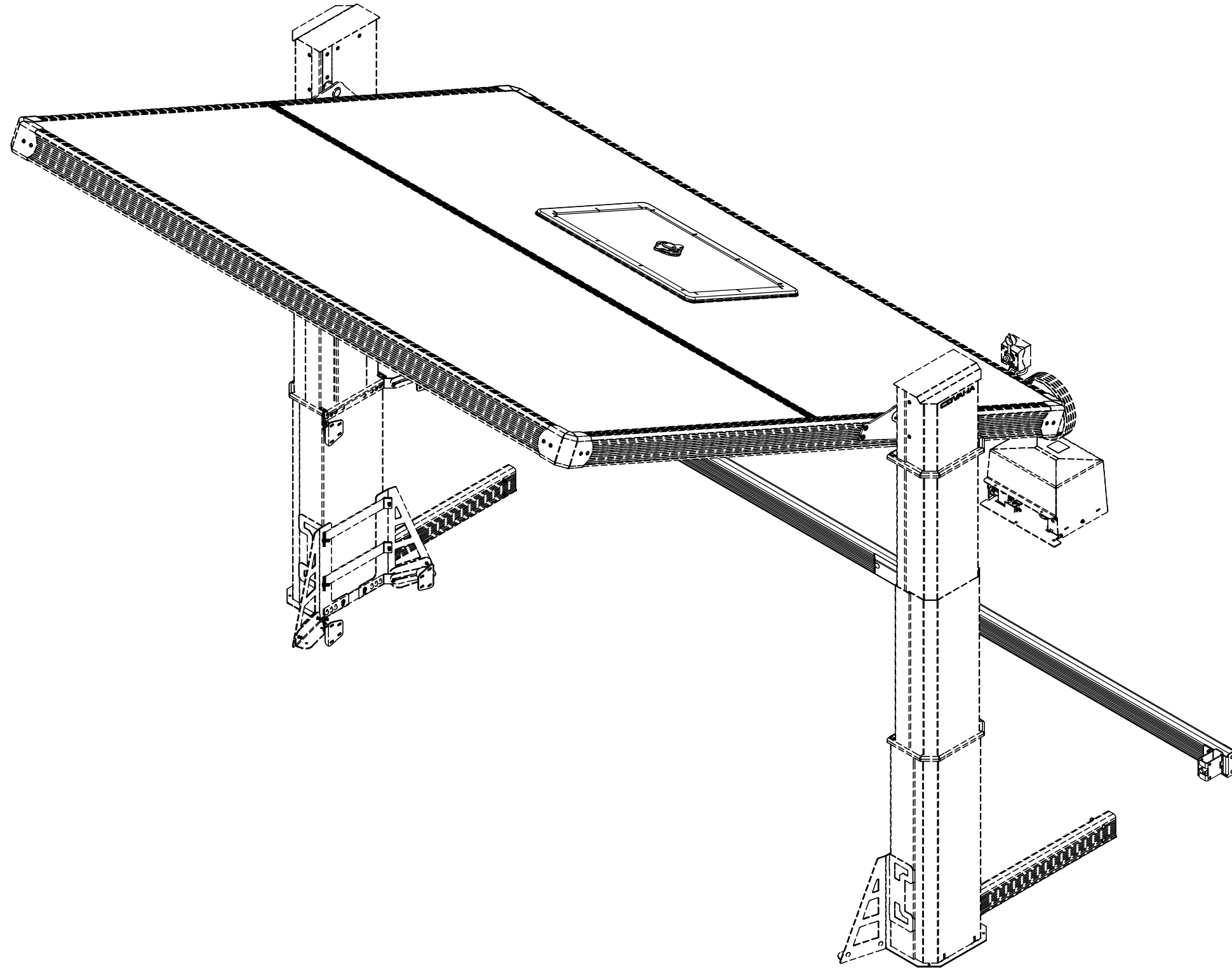
PART NUMBER	
MOCHA	SLATE
230165	230166

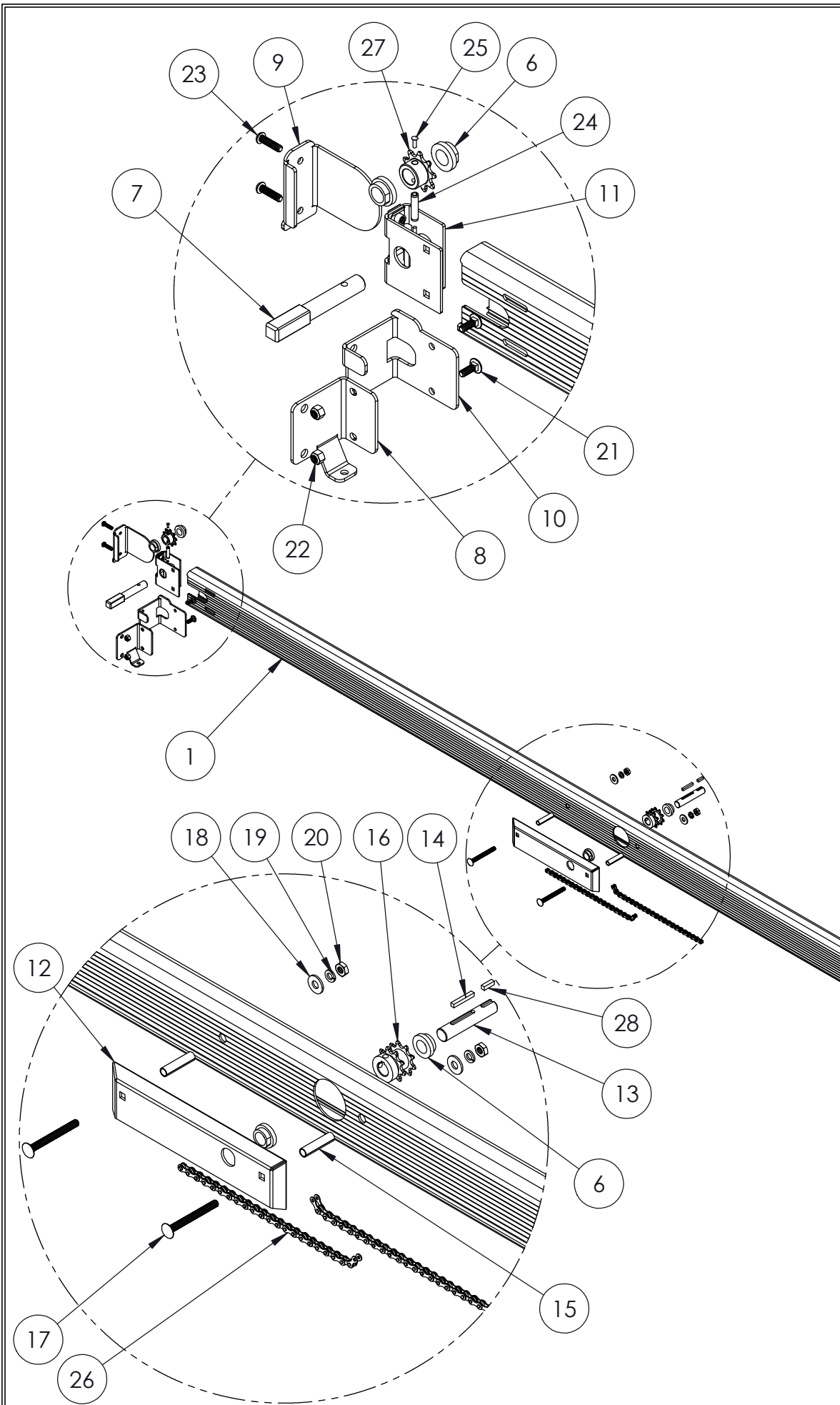
DRIVE SHAFT PACK	
DESCRIPTION	QTY.
COV-HOR-TUBE-DRIVE SHAFT	1



PART NUMBER
230167

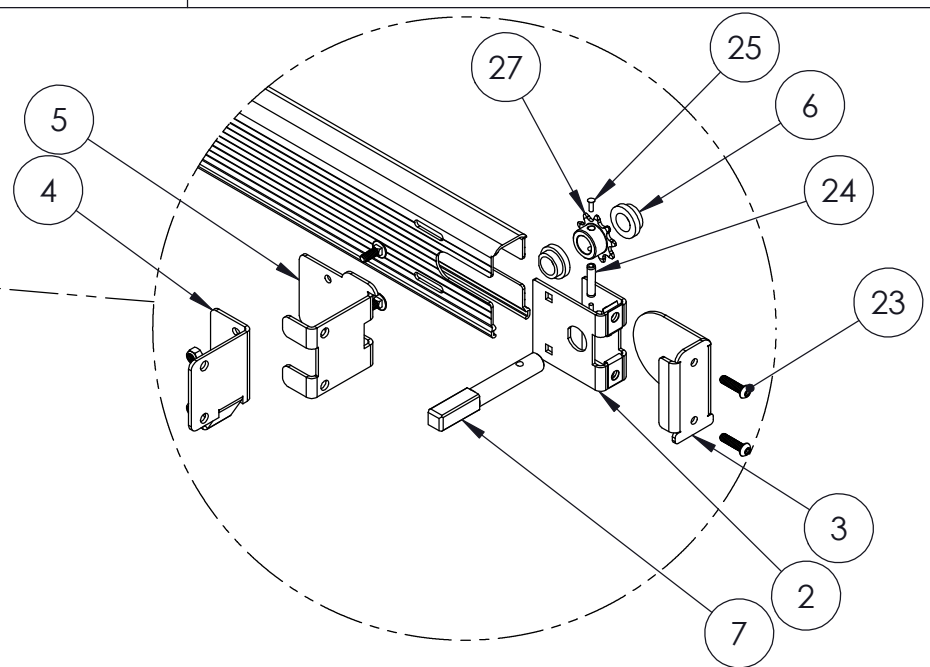
MOTOR SIDE ASSEMBLY SECTION





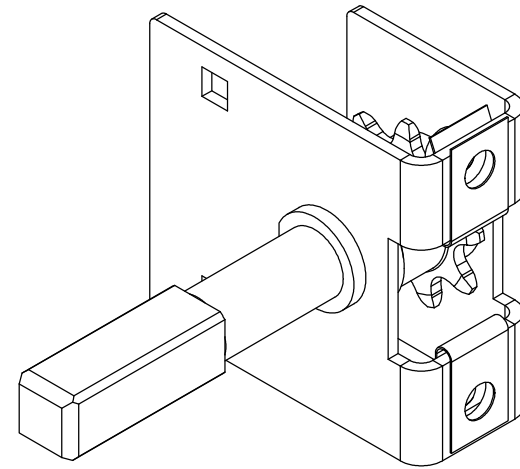
ITEM #	DESCRIPTION	PART NUMBER	CATALOG PAGE
1	COV-HOR-FRAME-86-38-2.5-2730-W/HOLES-GEN2	NOT AVAILABLE	-
2	COV-HOR-SHAFT HOLDER BRACKET-LEFT-GEN2	SEE SHAFT HOLDER BRACKET LEFT PACK	7
3	COV-HOR-U CHANNEL END CAP-LEFT-GEN2	SEE MOTOR U-FRAME END CAP PACK	8
4	COV-HOR-CORNER ANCHOR BRACKET-LEFT-GEN2	SEE LEFT CONNECTION BRACKETS PACK	7
5	COV-HOR-CHANNEL LINKING BRACKET-LEFT-GEN2	SEE LEFT CONNECTION BRACKETS PACK	7
6	COV-HOR-BUSHING(16MM-22MM-11MM-FL28MM-5MM) (UHMW)	SEE MOTOR U-FRAME SPROCKET PACK OR SHAFT HOLDER BRACKET LEFT OR RIGHT PACK	7 OR 8
7	COV-HOR-SHAFT 16-117(1 PIN HOLE)	SEE SHAFT HOLDER BRACKET LEFT OR RIGHT PACK	7
8	COV-HOR-CORNER ANCHOR BRACKET-RIGHT-GEN2	SEE RIGHT CONNECTION BRACKETS PACK	7
9	COV-HOR-U CHANNEL END CAP-RIGHT-GEN2	SEE MOTOR U-FRAME END CAP PACK	8
10	COV-HOR-CHANNEL LINKING BRACKET-RIGHT-GEN2	SEE RIGHT CONNECTION BRACKETS PACK	7
11	COV-HOR-SHAFT HOLDER BRACKET-RIGHT-GEN2	SEE SHAFT HOLDER BRACKET RIGHT PACK	7
12	COV-HOR-CHANNEL EXTENSION PLATE	NOT AVAILABLE	-
13	COV-HOR-EXTENSION SHAFT-GEN2	NOT AVAILABLE	-
14	3/16" x 3/16"-1 1/4"Lg. EXTENSION SHAFT KEY	SEE MOTOR U-FRAME SPROCKET PACK	8
15	SPACER 5/16X1 3/4	NOT AVAILABLE	-
16	DOUBLE SPROCKET (9 TEETH)	SEE MOTOR U-FRAME SPROCKET PACK	8
17	5/16"-18 x 3" SQUARED NECK CARRIAGE BOLT-Z/P	NOT AVAILABLE	-
18	3/8 FLAT WASHER	NOT AVAILABLE	-
19	LOCK WASHER 5/16 Z/P	NOT AVAILABLE	-
20	5/16-18 HEX NUT-Z/P	NOT AVAILABLE	-
21	1/4"-20 x 3/4"(CARR. BOLT)-Z/P	SEE LEFT OR RIGHT CONNECTION BRACKETS PACK	7
22	1/4-20 NYLON LOCK NUT	SEE LEFT OR RIGHT CONNECTION BRACKETS PACK	7
23	1/4-20-1 (BUTTON HEAD SOCKET CAP SCREW SS 18-8)	SEE MOTOR U-FRAME END CAP PACK	8
24	M6-28MM(HEAVY DUTY)	SEE SHAFT HOLDER BRACKET LEFT OR RIGHT PACK	7
25	1/8 x .390" STEEL RIVET	SEE SHAFT HOLDER BRACKET LEFT OR RIGHT PACK	7
26	CHAIN 410	SEE MOTOR U-FRAME CHAIN PACK	8
27	SPROCKET 410B9-5/8KO-SO-PH6MM	SEE SHAFT HOLDER BRACKET LEFT OR RIGHT PACK	7
28	3/16" x 3/16"-5/8"Lg. KEY	SEE MOTOR U-FRAME SPROCKET PACK	8

COMPLETE MOTOR U-FRAME ASSEMBLY	
PART NUMBER	
MOCHA	SLATE
230490	230491



SHAFT HOLDER BRACKET-LEFT PACK

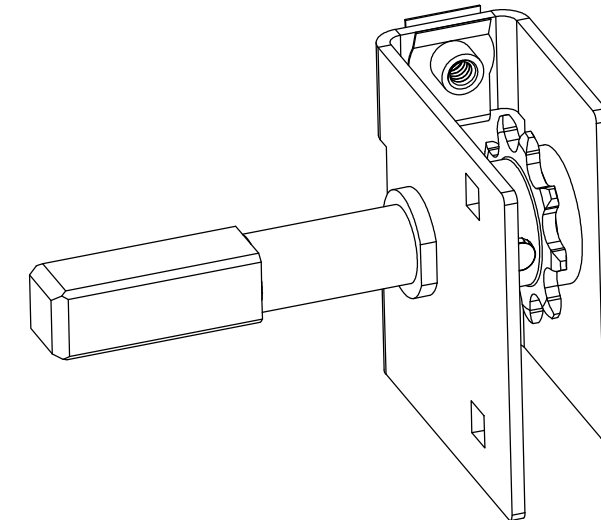
DESCRIPTION	QTY.
COV-HOR-SHAFT HOLDER BRACKET-LEFT-GEN2	1
COV-HOR-SHAFT 16-117(1 PIN HOLE)	1
COV-HOR-BUSHING(16MM-22MM-11MM-FL28MM-5MM) (UHMW)	2
M6-28MM(HEAVY DUTY)	1
1/8 x .390" STEEL RIVET	2
SPROCKET 410B9-5/8KO-SO-PH6MM	1



PART NUMBER
230168

SHAFT HOLDER BRACKET-RIGHT PACK

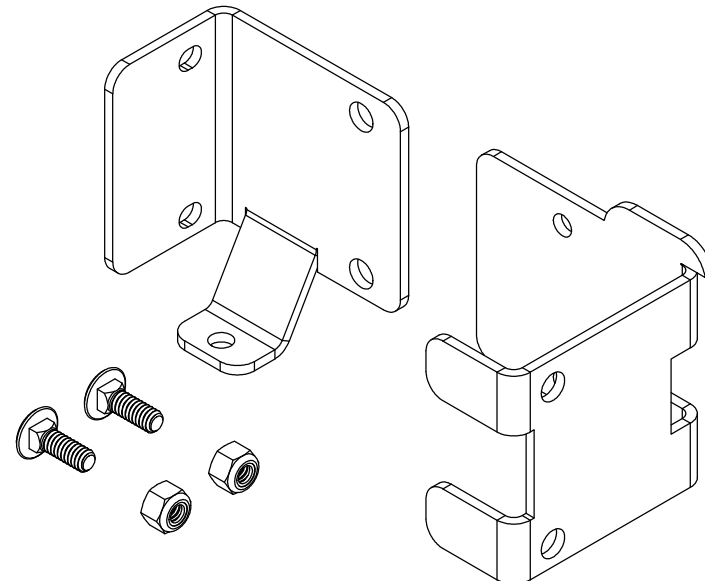
DESCRIPTION	QTY.
COV-HOR-SHAFT HOLDER BRACKET-RIGHT-GEN2	1
1/8 x .390" STEEL RIVET	2
M6-28MM(HEAVY DUTY)	1
COV-HOR-BUSHING(16MM-22MM-11MM-FL28MM-5MM) (UHMW)	2
COV-HOR-SHAFT 16-117(1 PIN HOLE)	1
SPROCKET 410B9-5/8KO-SO-PH6MM	1



PART NUMBER
230169

LEFT CONNECTION BRACKETS PACK

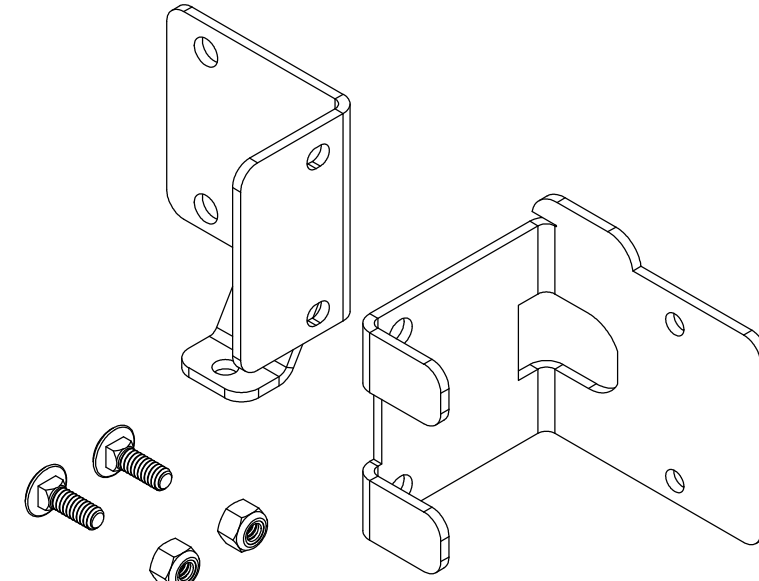
DESCRIPTION	QTY.
COV-HOR-CHANNEL LINKING BRACKET-LEFT-GEN2	1
COV-HOR-CORNER ANCHOR BRACKET-LEFT-GEN2	1
1/4"-20 x 3/4"(CARR. BOLT)-Z/P	2
1/4-20 NYLON LOCK NUT	2



PART NUMBER	
MOCHA	SLATE
230170	230171

RIGHT CONNECTION BRACKETS PACK

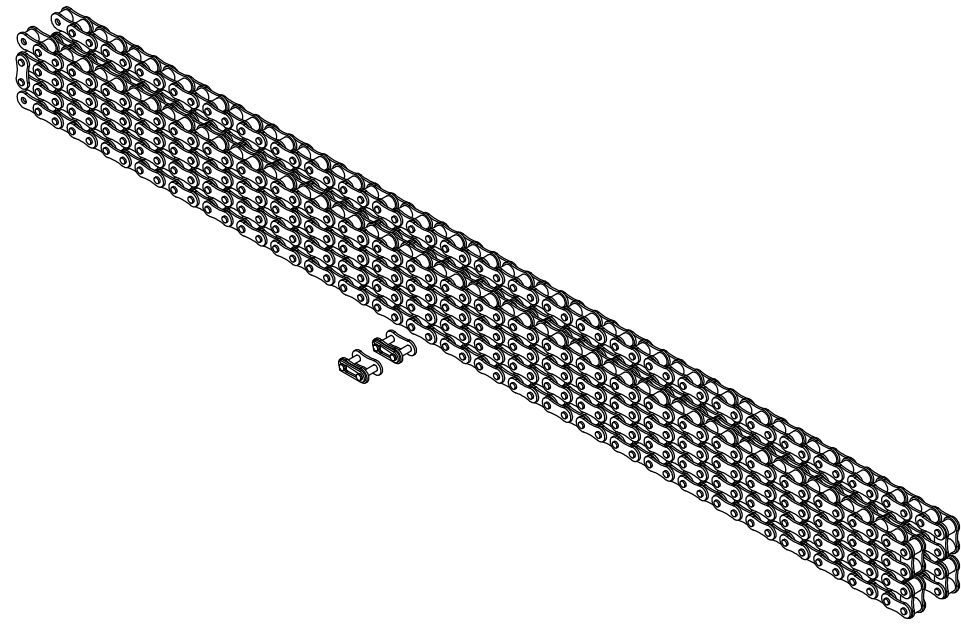
DESCRIPTION	QTY.
COV-HOR-CHANNEL LINKING BRACKET-RIGHT-GEN2	1
COV-HOR-CORNER ANCHOR BRACKET-RIGHT-GEN2	1
1/4"-20 x 3/4"(CARR. BOLT)-Z/P	2
1/4-20 NYLON LOCK NUT	2



PART NUMBER	
MOCHA	SLATE
230172	230173

MOTOR U-FRAME CHAIN PACK

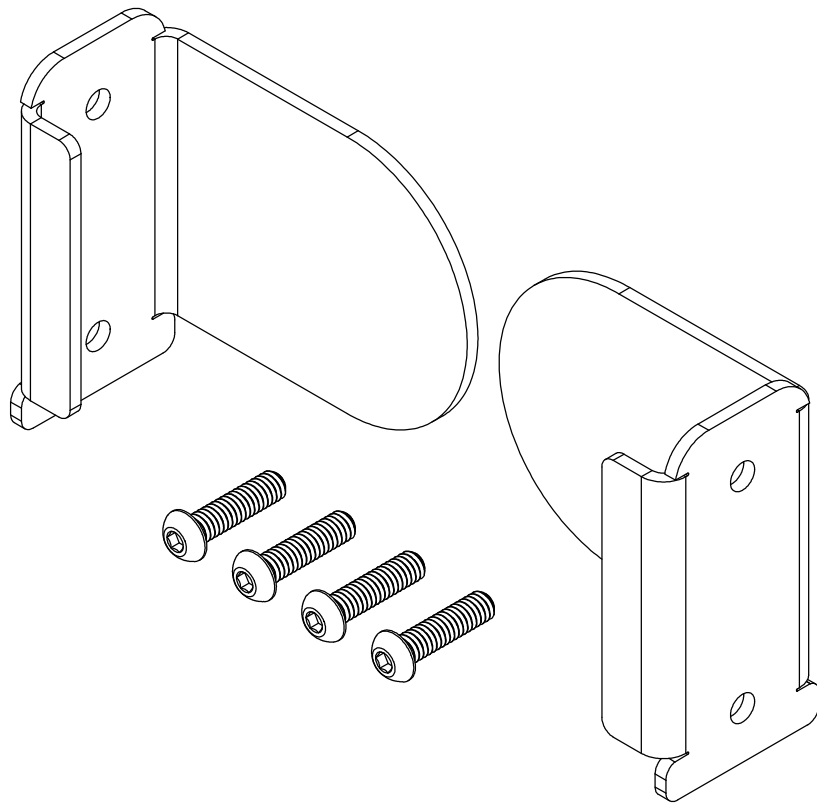
DESCRIPTION	QTY.
CHAIN	2
CONNECTING LINK	2



PART NUMBER
230174

MOTOR U-FRAME END CAP PACK

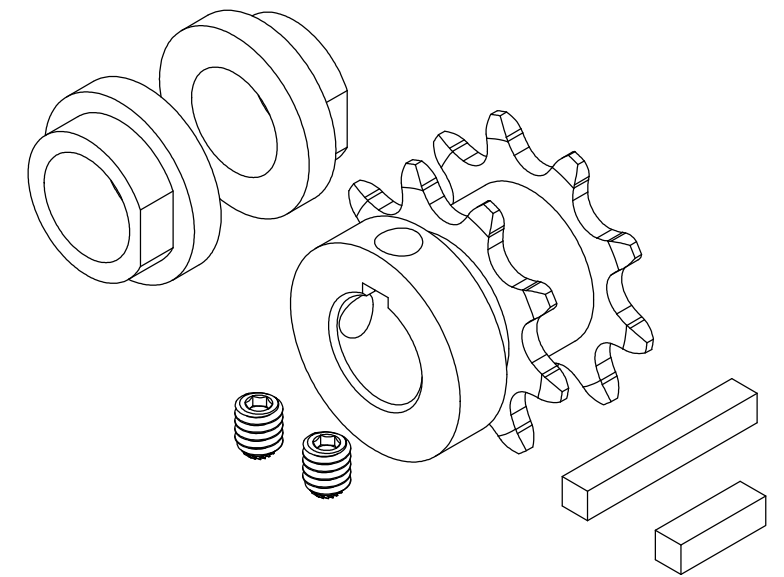
DESCRIPTION	QTY.
COV-HOR-U CHANNEL END CAP-LEFT-GEN2	1
COV-HOR-U CHANNEL END CAP-RIGHT-GEN2	1
1/4-20-1 (BUTTON HEAD SOCKET CAP SCREW SS 18-8)	4



PART NUMBER	
MOCHA	SLATE
230184	230185

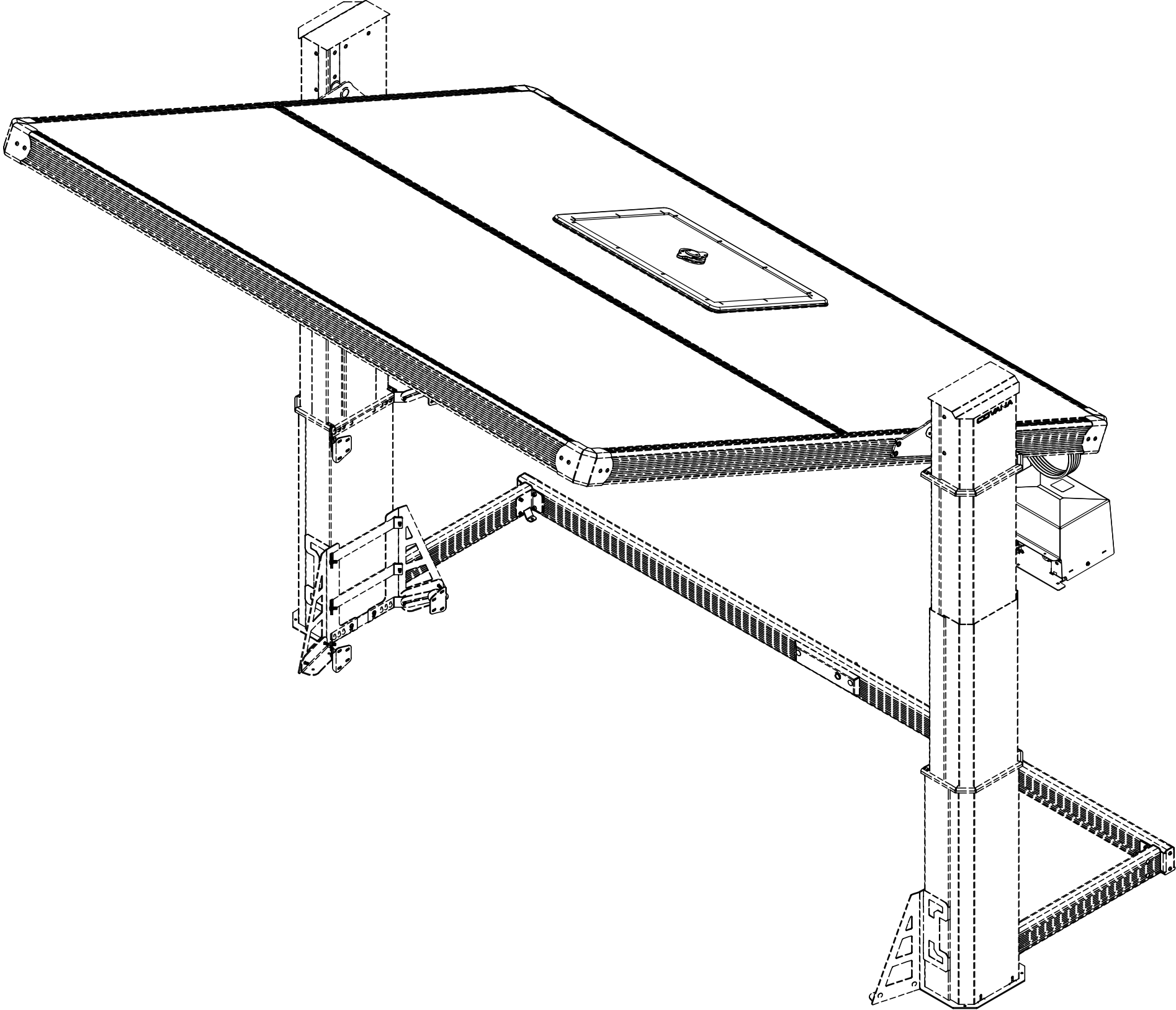
MOTOR U-FRAME SPROCKET PACK

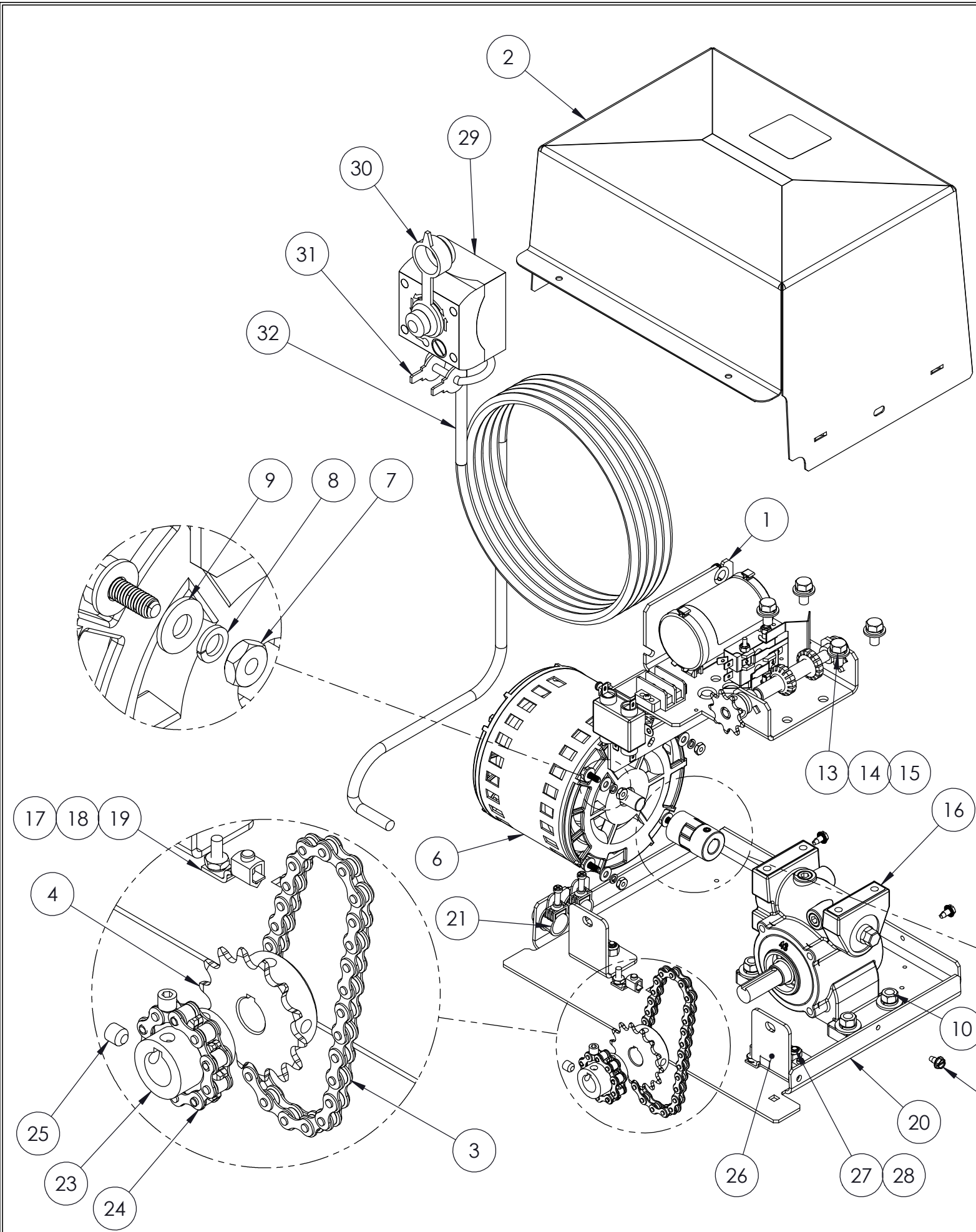
DESCRIPTION	QTY.
DOUBLE SPROCKET (9 TEETH)	1
3/16" x 3/16"-1 1/4"Lg. EXTENSION SHAFT KEY	1
3/16" x 3/16"-5/8"Lg. KEY	1
COV-HOR-BUSHING(16MM-22MM-11MM-FL28MM-5MM) (UHMW)	2
SET SCREW 1/4-20x5/16	2



PART NUMBER
230186

OPERATOR ASSEMBLY SECTION

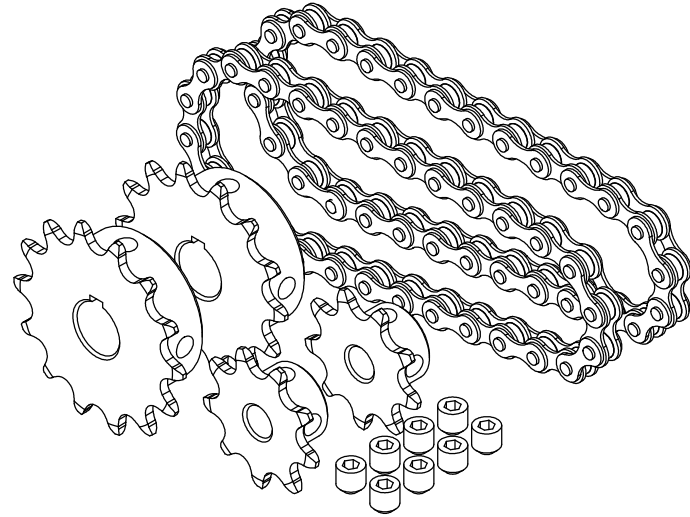




ITEM #	DESCRIPTION	PART NUMBER MOCHA	PART NUMBER SLATE	CATALOG PAGE
1	LIMIT SWITCH & ELECTRICAL ASSEMBLY	SEE NORTH AMERICA & EUROPE SECTIONS		14 OR 16
2	COVER	230261	230262	-
3	CHAIN	SEE SPROCKET PACK		11
4	SIMPLE SPROCKET (13 TEETH)	SEE SPROCKET PACK		11
5	FLEXIBLE COUPLING	SEE COUPLING PACK		11
6	MOTOR	SEE MOTOR PACK		12
7	THIN NUTS	SEE MOTOR PACK		12
8	#8 LOCK WASHER	SEE MOTOR PACK		12
9	#8 FLAT WASHER	SEE MOTOR PACK		12
10	5/16-18 CARRIAGE BOLT	NOT AVAILABLE		-
11	HEX NUT 5/16" Z/P	NOT AVAILABLE		-
12	3/8 FLAT WASHER	NOT AVAILABLE		-
13	LOCK WASHER 5/16 Z/P	NOT AVAILABLE		-
14	HEX HEAD 5/16-18 Z/P BOLT	NOT AVAILABLE		-
15	1/4" FLAT WASHER TYPE A	NOT AVAILABLE		-
16	REDUCER	NOT AVAILABLE		-
17	10-24 HEX NUT	NOT AVAILABLE		-
18	10-24x3/4" CARRIAGE BOLT	NOT AVAILABLE		-
19	COPPER GROUND LUG	NOT AVAILABLE		-
20	COV-GEN-OPERATOR MOTOR PLATE-GEN2	NOT AVAILABLE		-
21	METAL CLAMP-BX L16	NOT AVAILABLE		-
22	HEX HEAD SELF DRILLING SCREWS	SEE COVER HARDWARE PACK		11
23	SIMPLE SPROCKET (9 TEETH)	SEE COUPLING SPROCKET PACK		11
24	CHAIN 410	SEE COUPLING SPROCKET PACK		11
25	SET SCREW 1/4" x 5/16" LG.	SEE COUPLING SPROCKET PACK		11
26	COV-HOR-OPERATOR SUPPORT BRACKET	SEE SUPPORT BRACKET PACK		11
27	1/4-20-5/8 (CARRIAGE - SS 18-8)	SEE SUPPORT BRACKET PACK		11
28	1/4-20 (NYLON LOCK- S.S. 18-8)	SEE SUPPORT BRACKET PACK		11
29	OASIS KEY SWITCH ASS'Y W/O CABLE	SEE KEYSWITCH W/O CABLE PACK		13
30	KEYSWITCH RUBBER CAP	SEE KEYSWITCH PACK		13
31	SET OF 2 KEYS	SEE KEYSWITCH PACK		13
32	KEYSWITCH HARNESS	SEE KEYSWITCH PACK		13

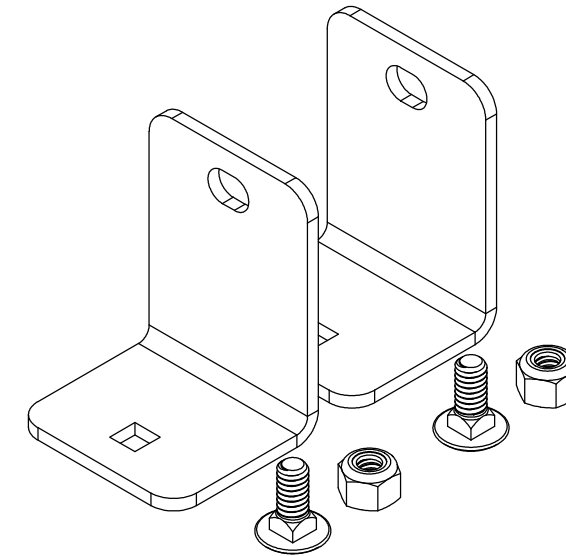
COMPLETE OPERATOR ASS'Y (WITHOUT COVER)	
PART NUMBER	
NORTH AMERICA	EUROPE
230429	230430

SPROCKET PACK	
DESCRIPTION	QTY.
CHAIN	2
SIMPLE SPROCKET (13 TEETH)	2
LIMIT SHAFT SPROCKET	2
SET SCREW 1/4" x 5/16" LG.	8



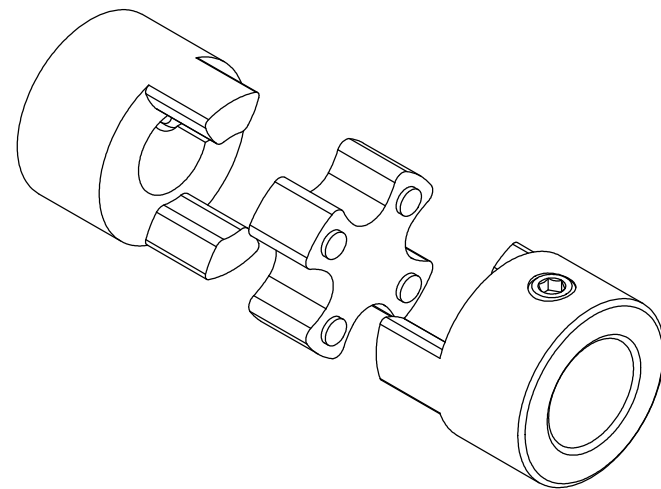
PART NUMBER
226532

SUPPORT BRACKET PACK	
DESCRIPTION	QTY.
COV-HOR-OPERATOR SUPPORT BRACKET	2
1/4-20-5/8 (CARRIAGE - SS 18-8)	2
1/4-20 (NYLON LOCK- S.S. 18-8)	2



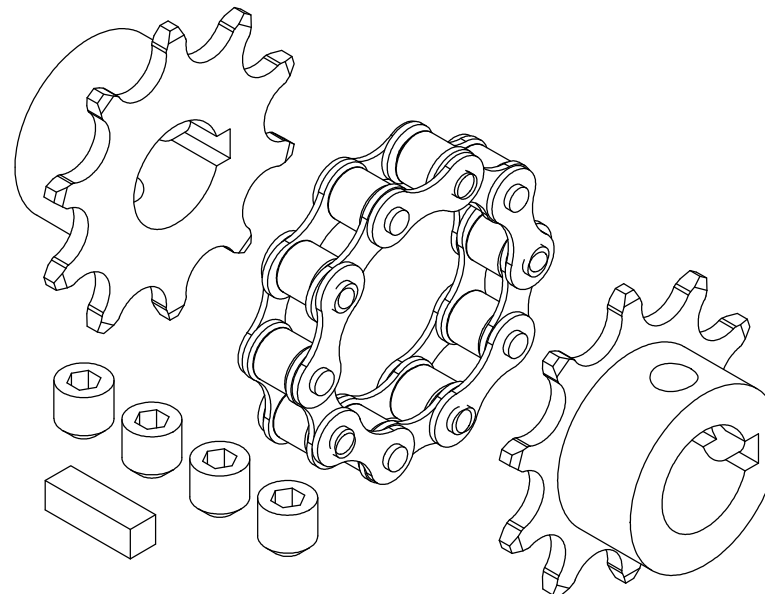
PART NUMBER
230187

COUPLING PACK	
DESCRIPTION	QTY.
COUPLING RUBBER CROSS	1
1/2" ID COUPLING	1
5/8" ID COUPLING	1



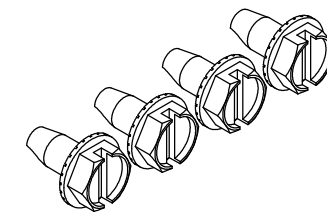
PART NUMBER
226536

COUPLING SPROCKET PACK	
DESCRIPTION	QTY.
SIMPLE SPROCKET (9 TEETH)	2
CHAIN 410	1
SET SCREW 1/4" x 5/16" LG.	4
3/16" x 3/16"-5/8"Lg. KEY	1



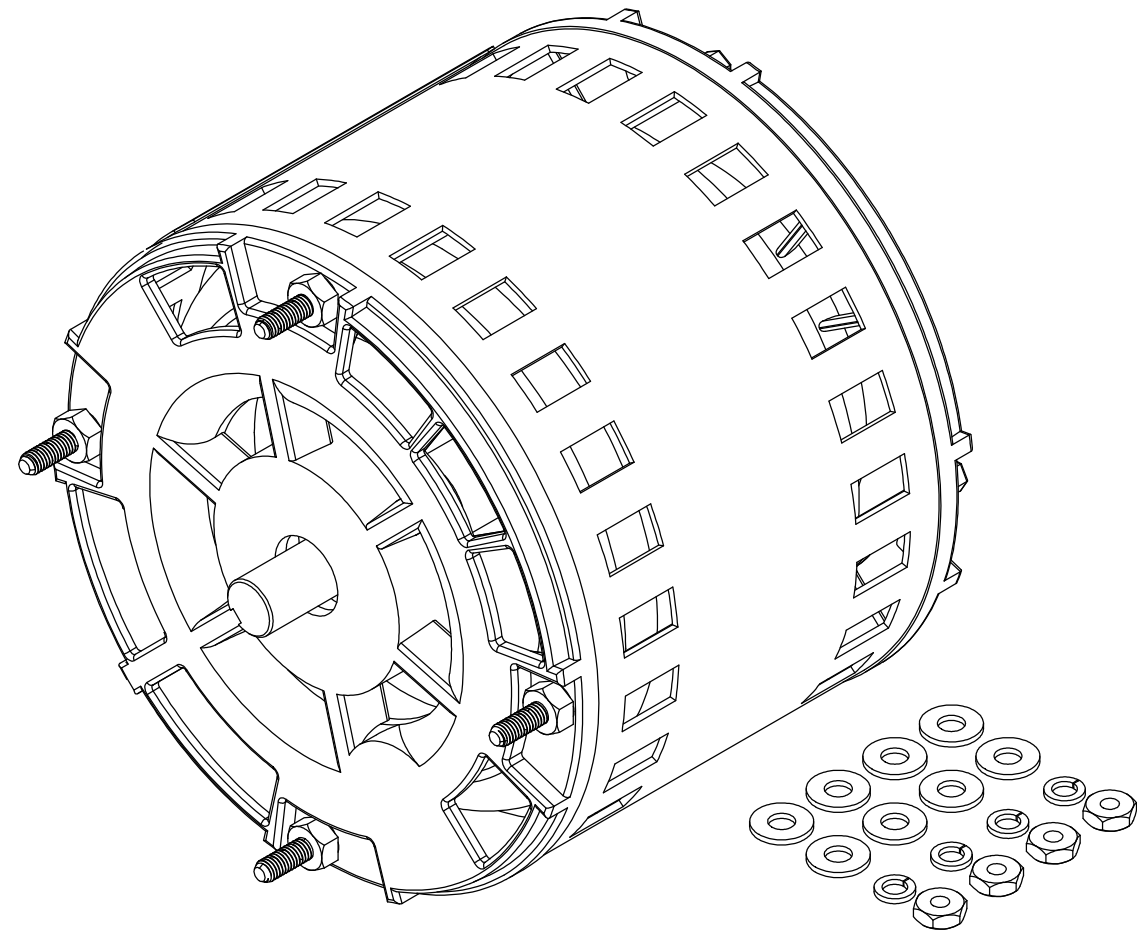
PART NUMBER
230188

COVER HARDWARE PACK	
DESCRIPTION	QTY.
HEX HEAD SELF DRILLING SCREWS	4



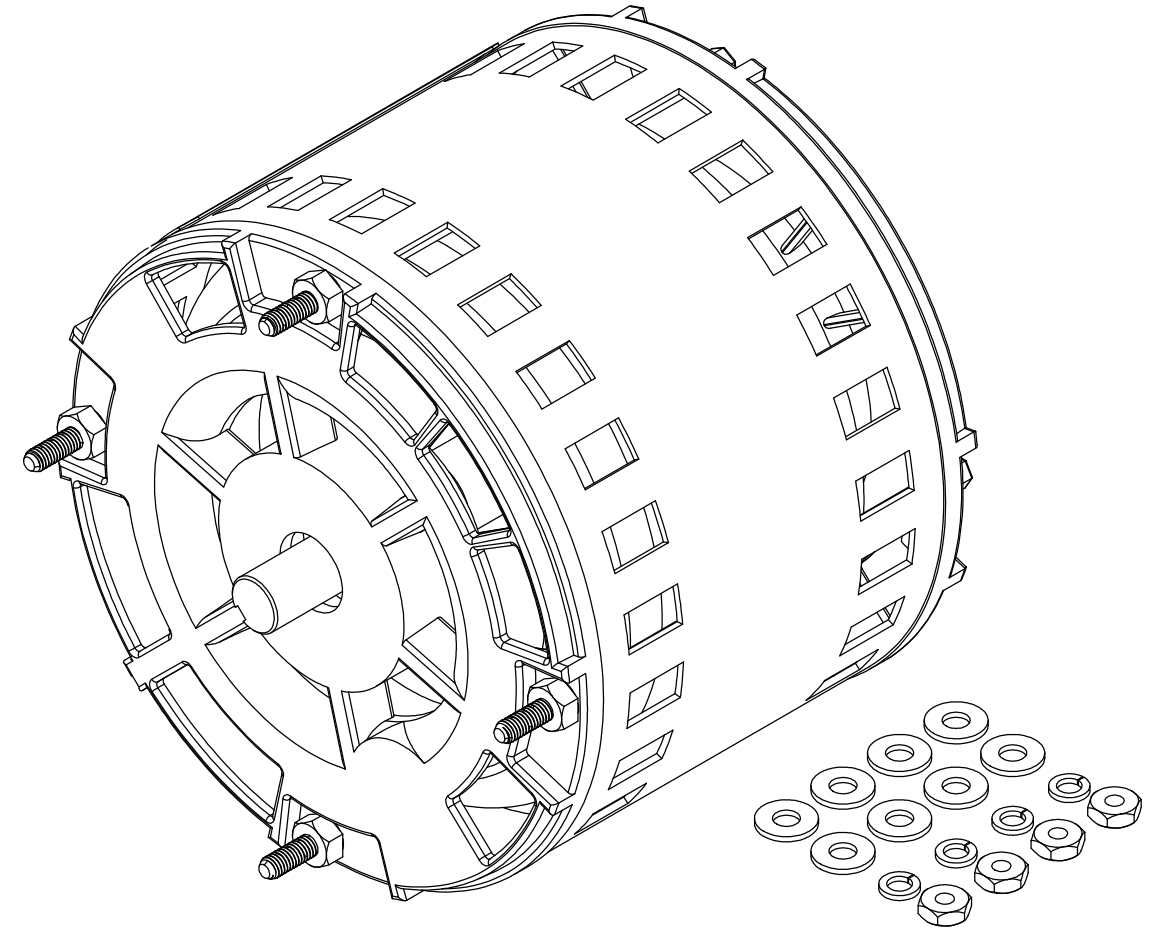
PART NUMBER
226537

MOTOR PACK NORTH AMERICA	
DESCRIPTION	QTY.
MOTOR	1
#8 FLAT WASHER	8
#8 LOCK WASHER	4
THIN NUTS	4

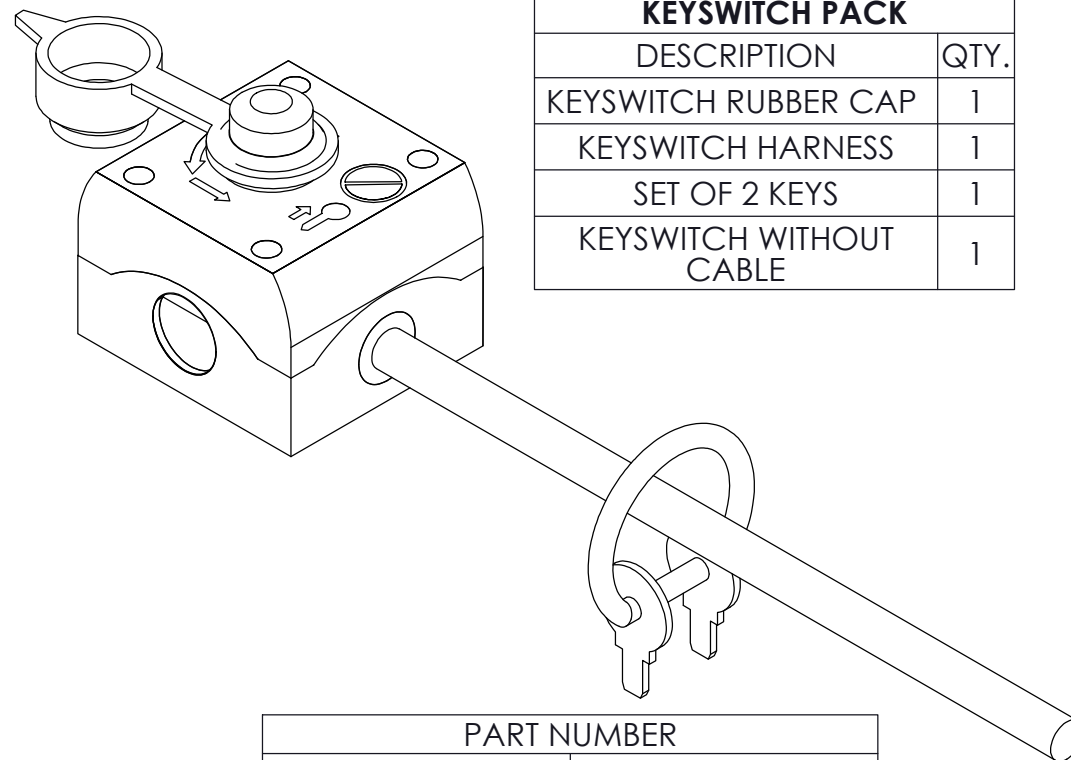


PART NUMBER
221605

MOTOR PACK EUROPE	
DESCRIPTION	QTY.
MOTOR	1
#8 FLAT WASHER	8
#8 LOCK WASHER	4
THIN NUTS	4



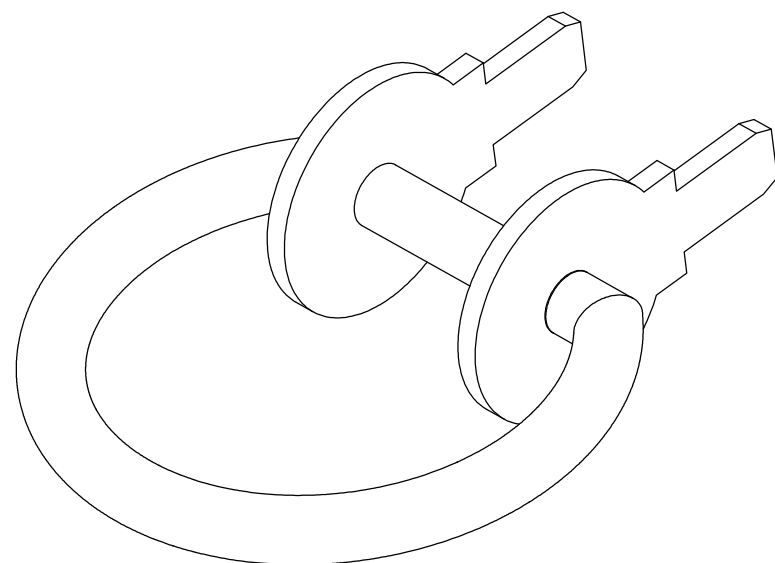
PART NUMBER
221606



KEYSWITCH PACK	
DESCRIPTION	QTY.
KEYSWITCH RUBBER CAP	1
KEYSWITCH HARNESS	1
SET OF 2 KEYS	1
KEYSWITCH WITHOUT CABLE	1

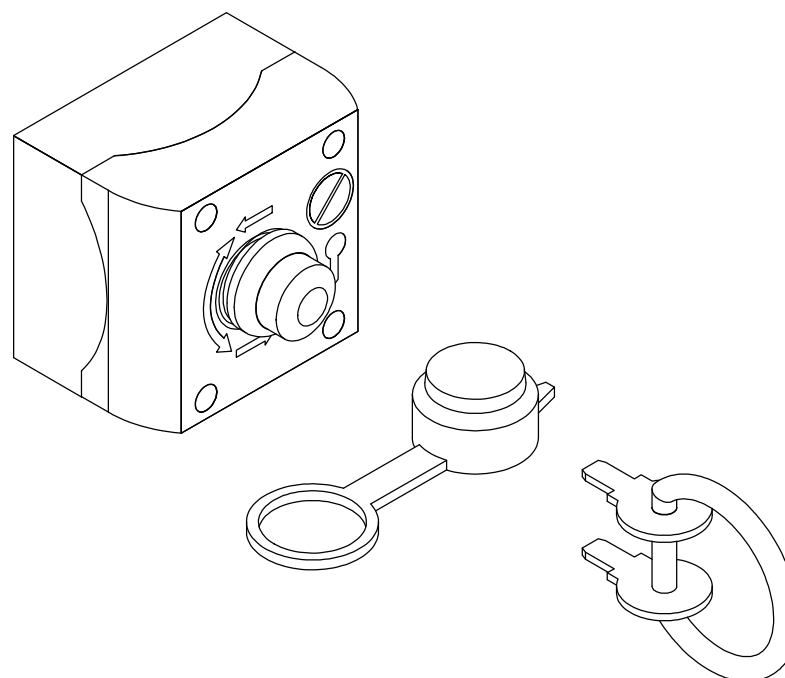
PART NUMBER	
NORTH AMERICA	EUROPE
192874	203105

KEY PACK	
DESCRIPTION	QTY.
KEY	2



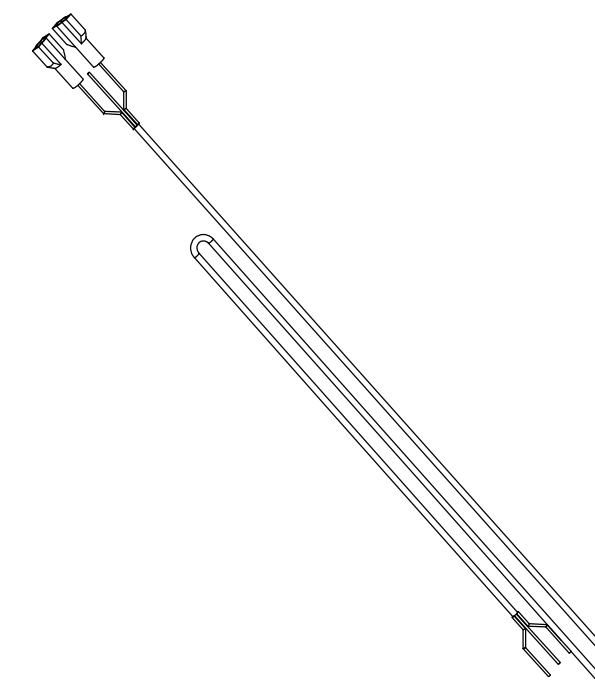
PART NUMBER	
226538	

KEYSWITCH W/O CABLE PACK	
DESCRIPTION	QTY.
KEY	2
KEYSWITCH WITHOUT CABLE	1
KEYSWITCH RUBBER CAP	1



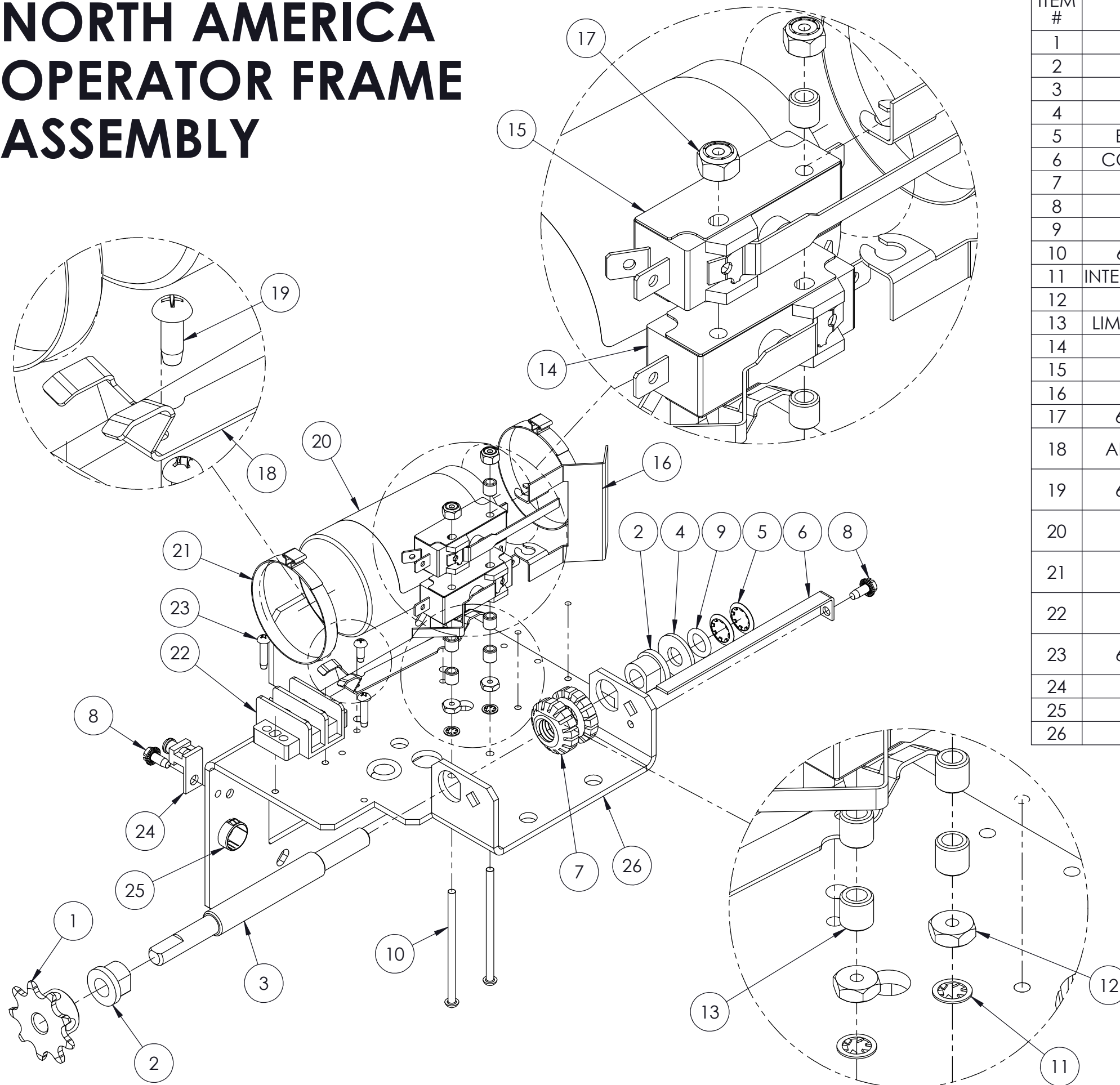
PART NUMBER	
226539	

KEYSWITCH CABLE PACK	
DESCRIPTION	QTY.
25' KEYSWITCH CABLE	1



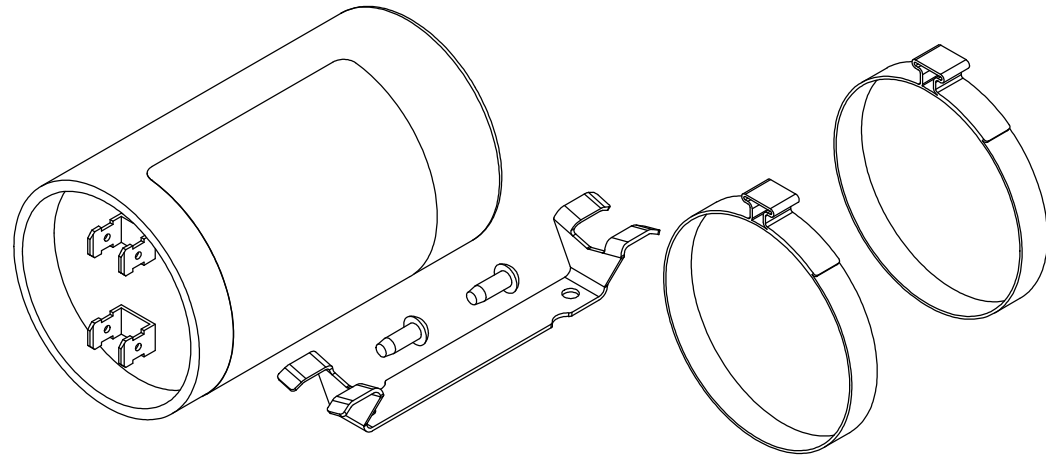
PART NUMBER	
NORTH AMERICA	EUROPE
200409	203107

NORTH AMERICA OPERATOR FRAME ASSEMBLY



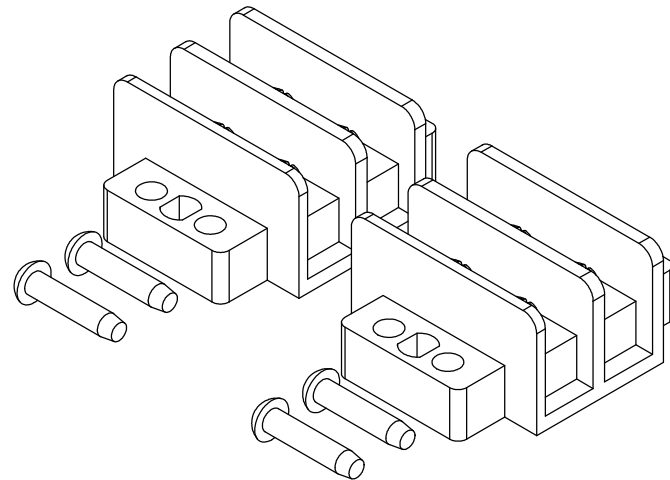
ITEM #	DESCRIPTION	PART NUMBER	CATALOG PAGE
1	LIMIT SHAFT SPROCKET	SEE SPROCKET PACK	11
2	BUSHING W/ FLAT	SEE LIMIT SHAFT PACK	15
3	LIMIT SHAFT 1/2-13UNC	SEE LIMIT SHAFT PACK	15
4	3/8 FLAT WASHER	SEE LIMIT SHAFT PACK	15
5	EXTERNAL 3/8 RETAINING RING	SEE LIMIT SHAFT PACK	15
6	COV-OAS-OPERATOR CAM PLATE	SEE LIMIT SHAFT PACK	15
7	THREADED CAM	SEE LIMIT SHAFT PACK	15
8	8-32X3/8 TYPE F S-TAP SCREW	SEE LIMIT SHAFT PACK	15
9	LIMIT SHAFT O-RING	SEE LIMIT SHAFT PACK	15
10	6-32 X 2-1/2" MACHINE SCREW	SEE LIMIT SWITCH PACK	15
11	INTERNAL TOOTH LOCK WASHER NO 6	SEE LIMIT SWITCH PACK	15
12	6-32 HEX NUT Z/P	SEE LIMIT SWITCH PACK	15
13	LIMIT SWITCH SPACER 1/4"X1/4" ALU.	SEE LIMIT SWITCH PACK	15
14	UPPER LIMIT SWITCH	SEE LIMIT SWITCH PACK	15
15	LOWER LIMIT SWITCH	SEE LIMIT SWITCH PACK	15
16	LIMIT LEVER	SEE LIMIT SWITCH PACK	15
17	6-32 HEX NYLON LOCK NUT Z/P	SEE LIMIT SWITCH PACK	15
18	ANCHOR / MOUNTING BRACKET	SEE NORTH AMERICA CAPACITOR PACK	15
19	6-32 X 3/8" TYPE F SLFTP SCREW	SEE NORTH AMERICA CAPACITOR PACK	15
20	CAPACITOR	SEE NORTH AMERICA CAPACITOR PACK	15
21	CAPACITOR STRAP	SEE NORTH AMERICA CAPACITOR PACK	15
22	DOUBLE CONNECTOR BLOCK	SEE DOUBLE CONNECTOR BLOCK PACK	15
23	6-32 X 5/8" TYPE F SLFTP SCREW	SEE DOUBLE CONNECTOR BLOCK PACK	15
24	GROUND CONNECTOR	NOT AVAILABLE	-
25	WIRE PROTECTION BUSHING	NOT AVAILABLE	-
26	COV-OAS-OPERATOR FRAME	NOT AVAILABLE	-

NORTH AMERICA CAPACITOR PACK	
DESCRIPTION	QTY.
CAPACITOR	1
6-32 X 3/8" TYPE F SLFTP SCREW	2
ANCHOR / MOUNTING BRACKET	1
CAPACITOR STRAP	2



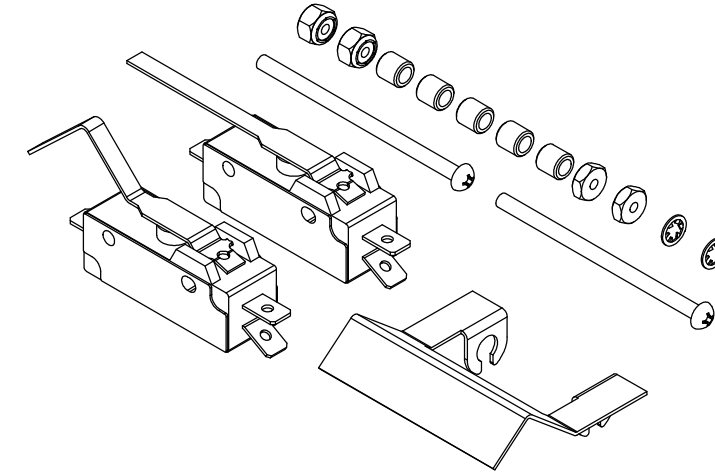
PART NUMBER
221430

DOUBLE CONNECTOR BLOCK PACK	
DESCRIPTION	QTY.
DOUBLE CONNECTOR BLOCK	2
6-32 X 5/8" TYPE F SLFTP SCREW	4



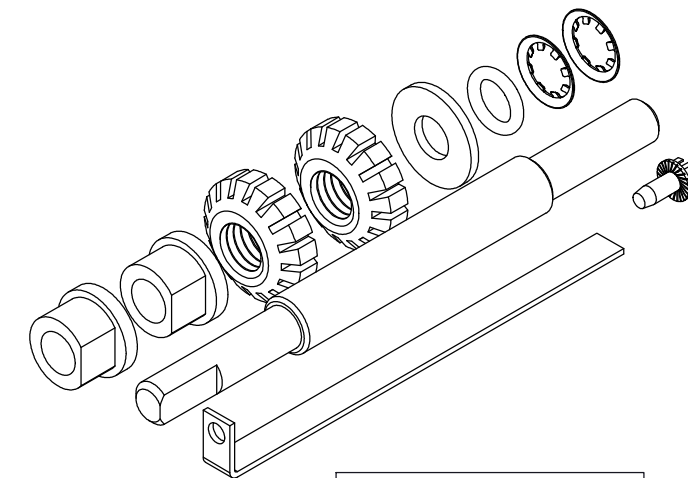
PART NUMBER
226540

LIMIT SWITCH PACK	
DESCRIPTION	QTY.
UPPER LIMIT SWITCH	1
LOWER LIMIT SWITCH	1
6-32 HEX NYLON LOCK NUT Z/P	2
LIMIT SWITCH SPACER 1/4"X1/4" ALU.	5
6-32 HEX NUT Z/P	2
INTERNAL TOOTH LOCK WASHER NO 6	2
LIMIT LEVER	1
6-32 X 2-1/2" MACHINE SCREW	2



PART NUMBER
225608

LIMIT SHAFT PACK	
DESCRIPTION	QTY.
LIMIT SHAFT 1/2-13UNC	1
BUSHING W/ FLAT	2
THREADED CAM	2
3/8 FLAT WASHER	1
LIMIT SHAFT O-RING	1
EXTERNAL 3/8 RETAINING RING	2
COV-OAS-OPERATOR CAM PLATE	1
8-32X3/8 TYPE F S-TAP SCREW	1

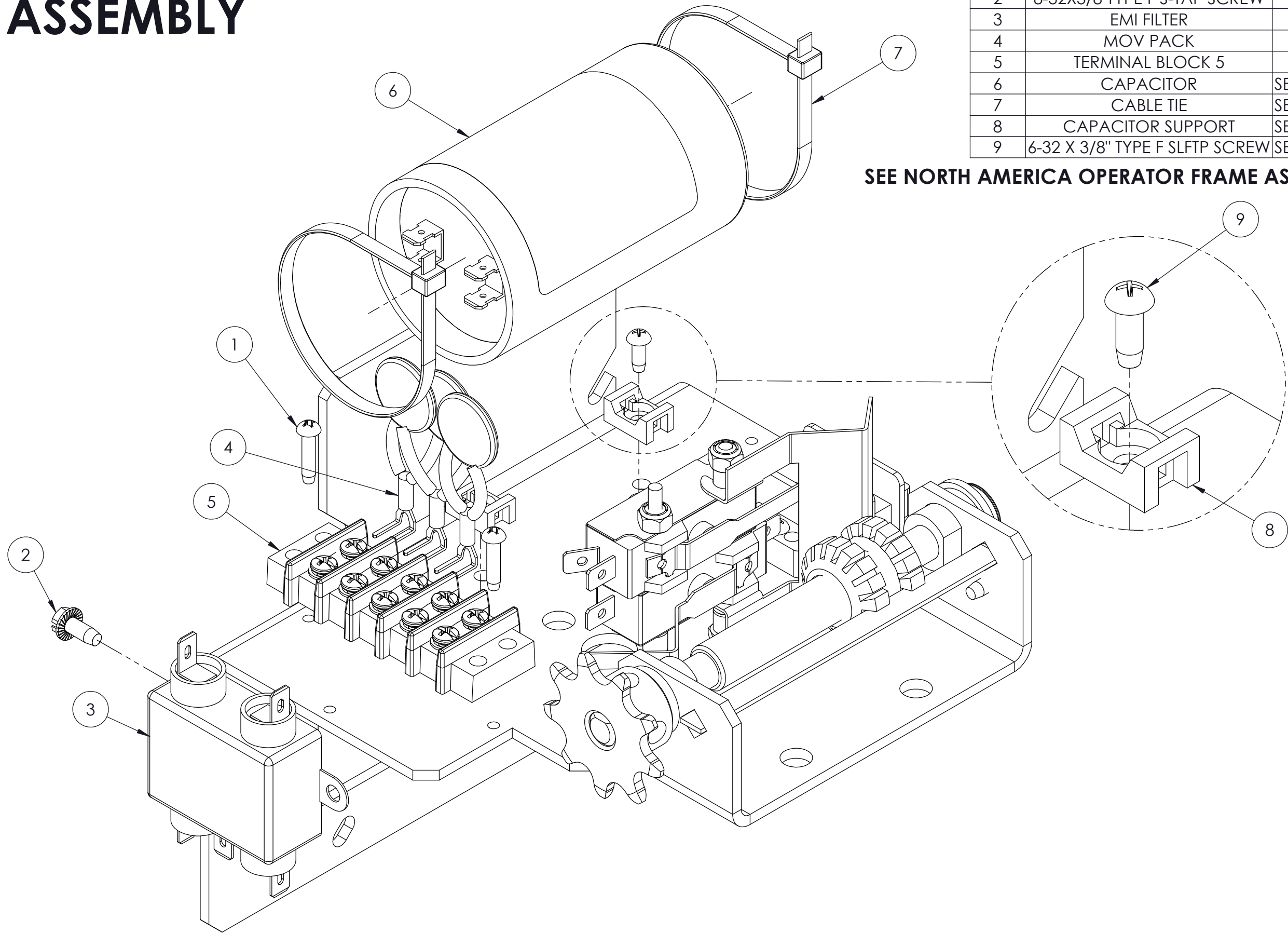


PART NUMBER
226541

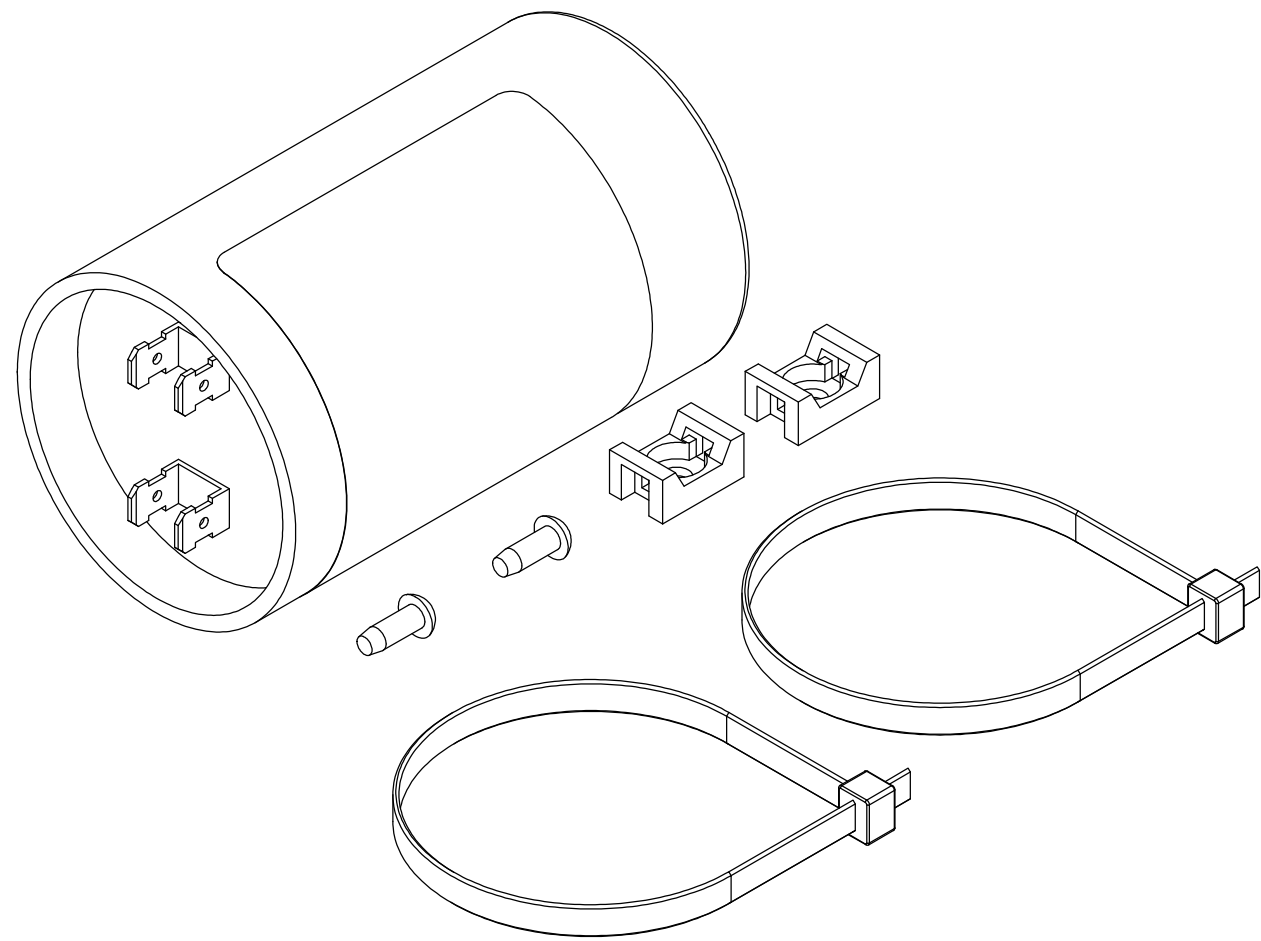
EUROPE OPERATOR FRAME ASSEMBLY

ITEM #	DESCRIPTION	PART NUMBER	CATALOG PAGE
1	6-32 X 5/8" TYPE T SLFTP SCREW	SEE EMI FILTER PACK	17
2	8-32X3/8 TYPE F S-TAP SCREW	SEE EMI FILTER PACK	17
3	EMI FILTER	SEE EMI FILTER PACK	17
4	MOV PACK	SEE EMI FILTER PACK	17
5	TERMINAL BLOCK 5	SEE EMI FILTER PACK	17
6	CAPACITOR	SEE EUROPE CAPACITOR PACK	17
7	CABLE TIE	SEE EUROPE CAPACITOR PACK	17
8	CAPACITOR SUPPORT	SEE EUROPE CAPACITOR PACK	17
9	6-32 X 3/8" TYPE F SLFTP SCREW	SEE EUROPE CAPACITOR PACK	17

SEE NORTH AMERICA OPERATOR FRAME ASSEMBLY (P.14) FOR OTHER PARTS

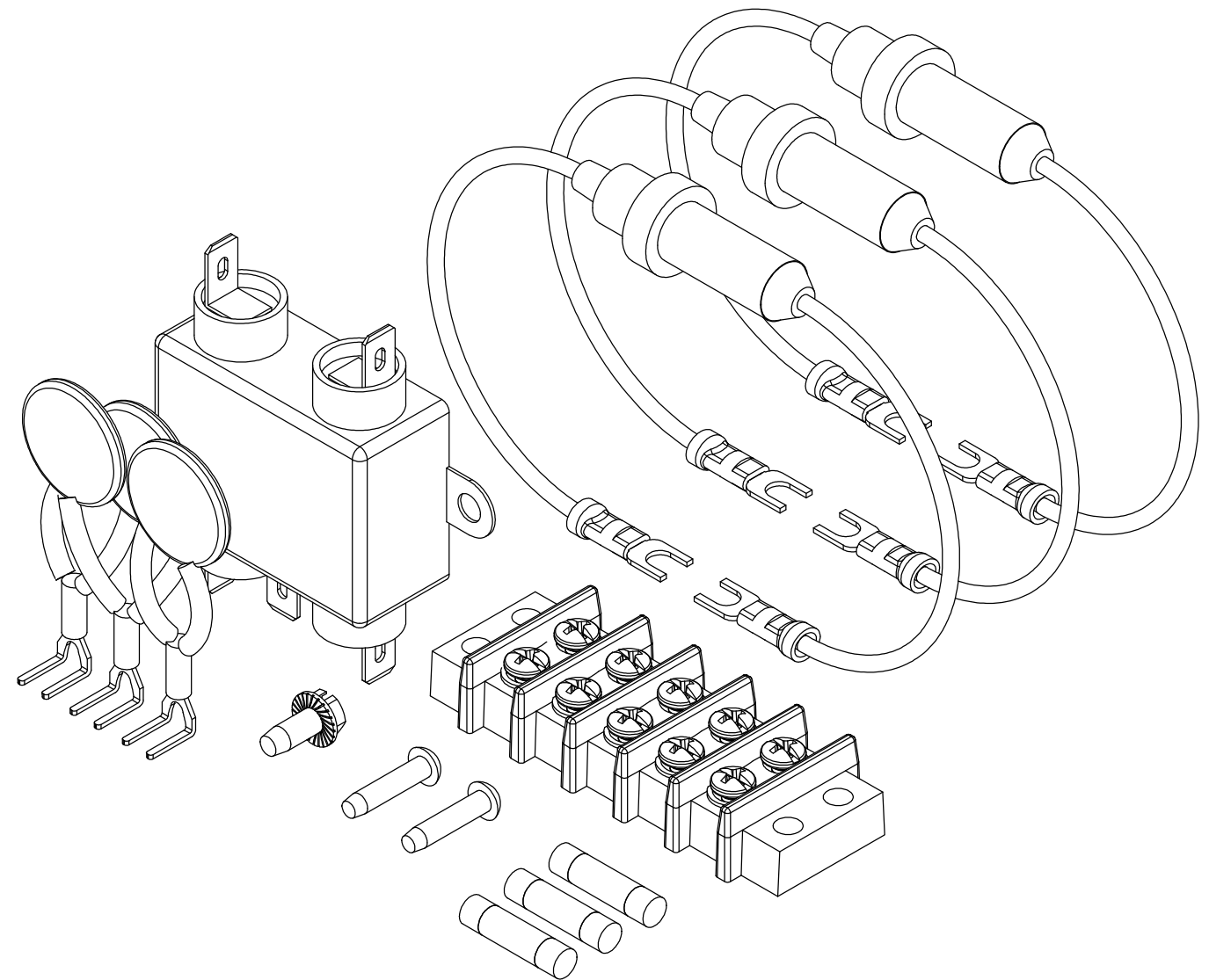


EUROPE CAPACITOR PACK	
DESCRIPTION	QTY.
CAPACITOR	1
6-32 X 3/8" TYPE F SLFTP SCREW	2
CAPACITOR SUPPORT	2
CABLE TIE	2



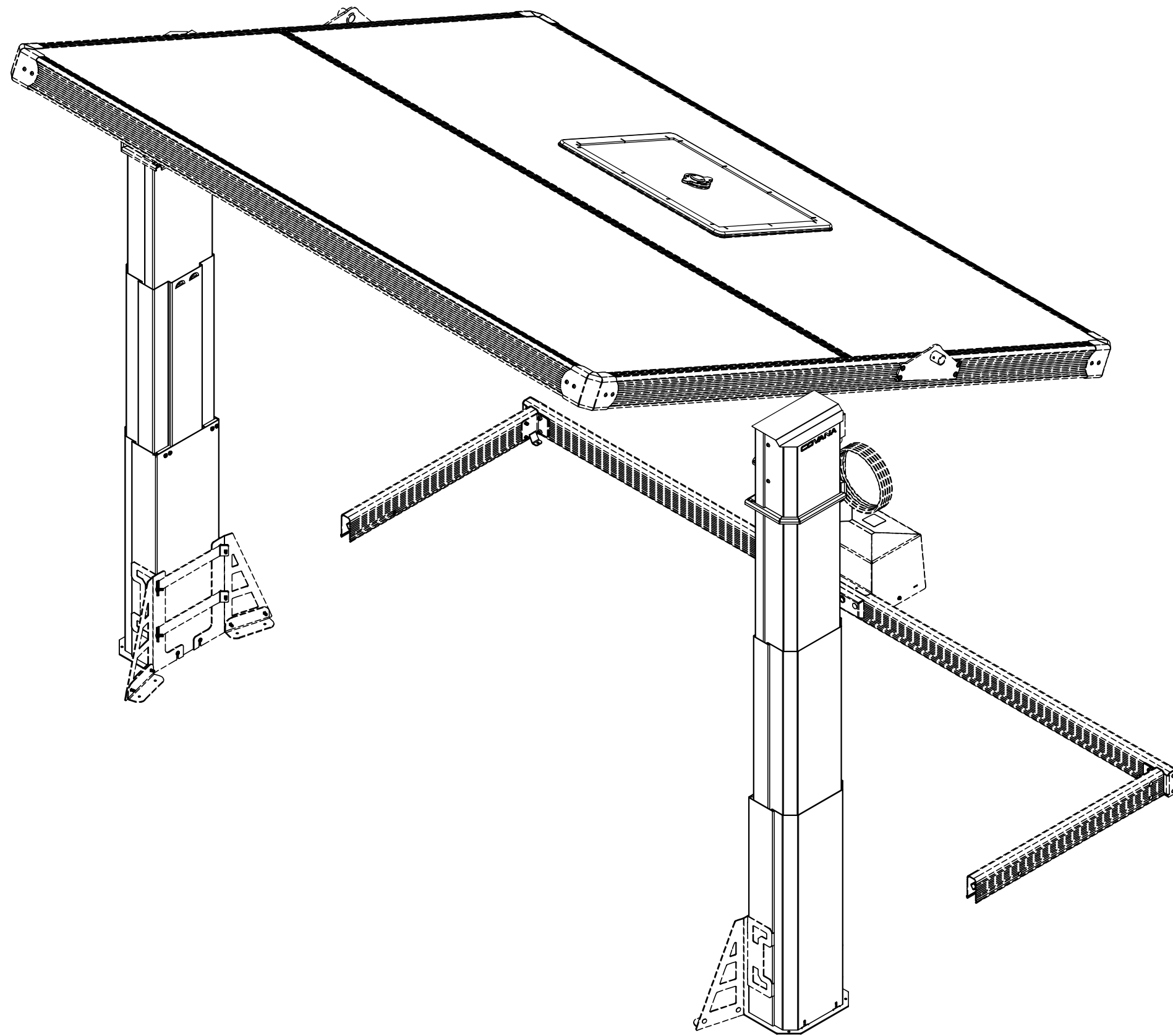
PART NUMBER
221415

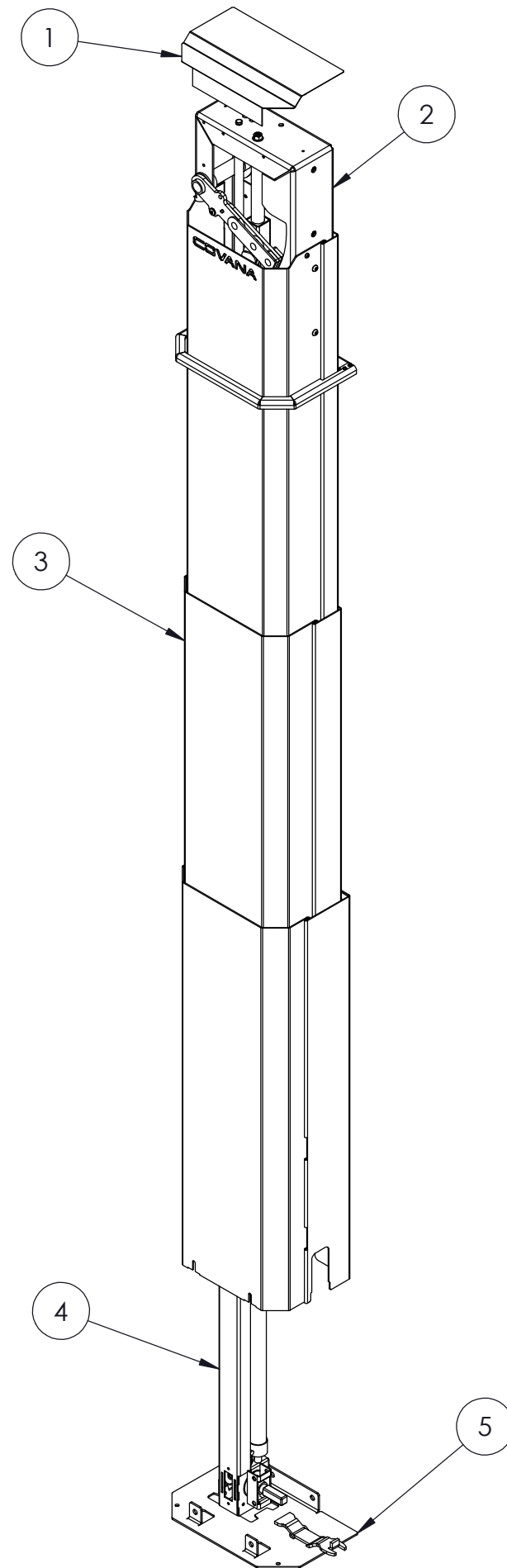
EMI FILTER PACK	
DESCRIPTION	QTY.
EMI FILTER	1
MOV PACK	1
6-32 X 5/8" TYPE F SLFTP SCREW	2
8-32X3/8 TYPE F S-TAP SCREW	1
TERMINAL BLOCK 5	1
FUSE Ø5mm X 20mm	3
INLINE FUSE HOLDER	3



PART NUMBER
221470

POSTS ASSEMBLY SECTION

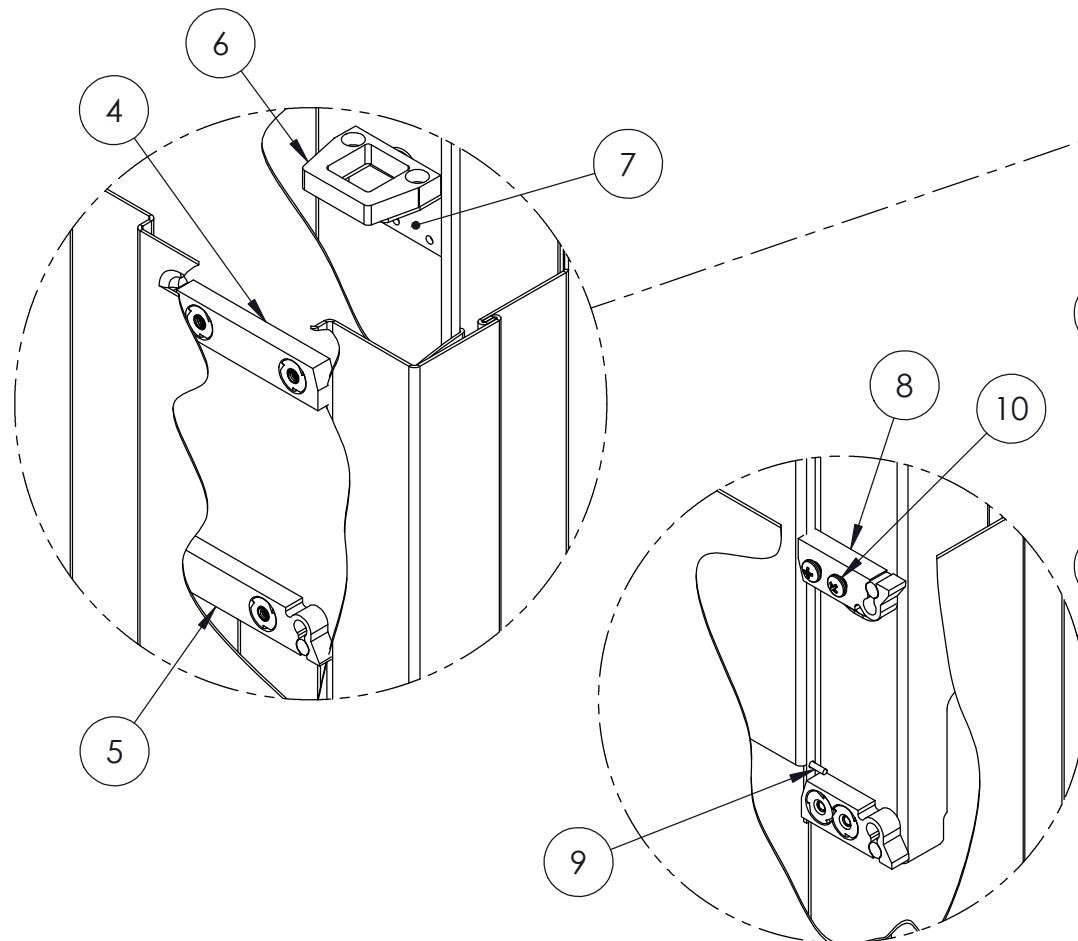
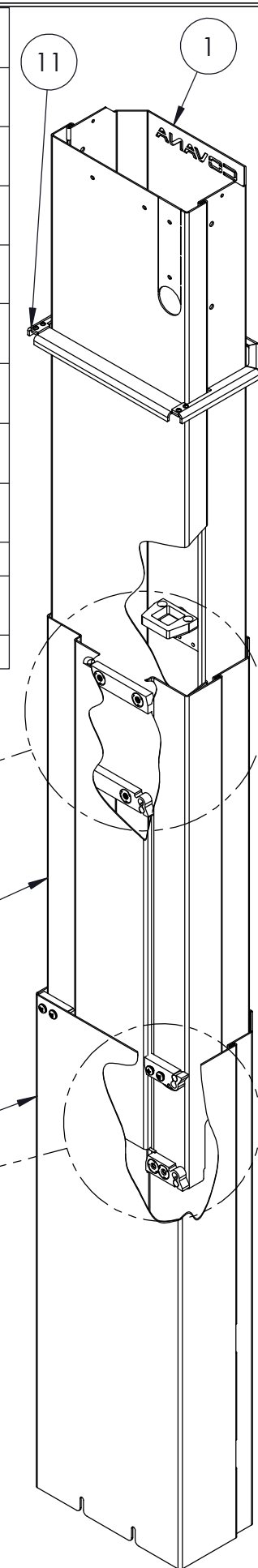




ITEM #	DESCRIPTION	ARTICLE CODE	CATALOG PAGE
1	COV-HOR-SLEEVE ASS'Y TOP PLATE	SEE TOP PLATE PACK	22
2	COV-HOR-PIVOT ASSEMBLY	SEE PIVOT ASSEMBLY SUBSECTION	27
3	SLEEVE PARTIAL ASSEMBLY	SEE SLEEVE ASSEMBLY SUBSECTION	20
4	COV-POST-ASS'Y-G3-L-1000-700N	SEE JACK ASSEMBLY SUBSECTION	23
5	COV-HOR-FOOT PLATE ASS'Y-GEN2	SEE FOOT PLATE PACK	22

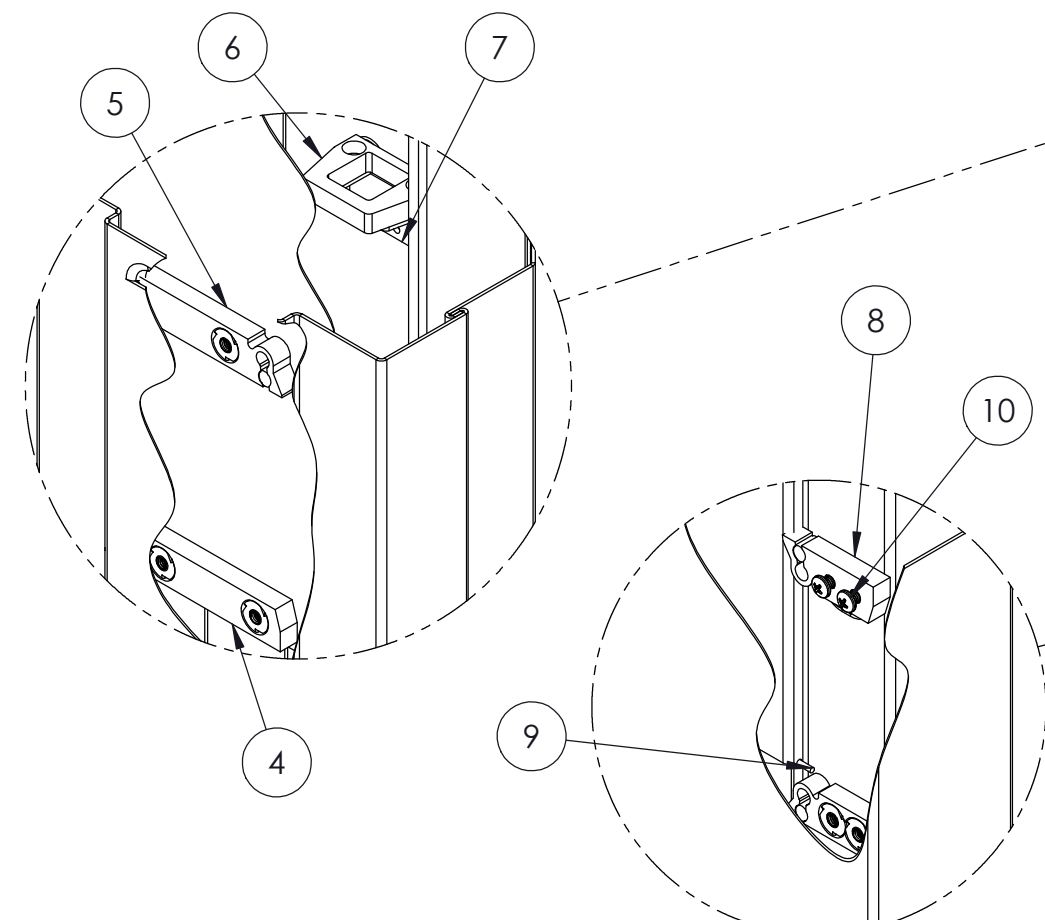
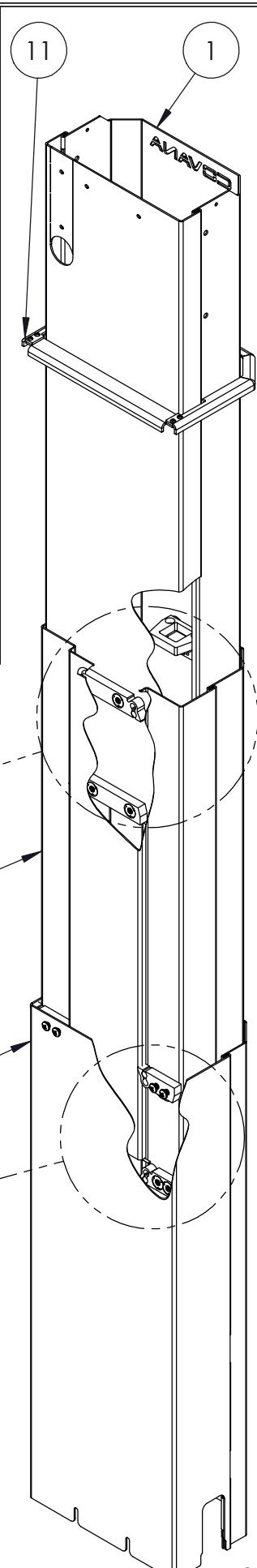
COMPLETE POST ASSEMBLY (WITHOUT TOP PLATE)			
PART NUMBER			
LEFT MOCHA	LEFT SLATE	RIGHT MOCHA	RIGHT SLATE
229215	229216	229217	229218

ITEM #	DESCRIPTION	PART NUMBER MOCHA	PART NUMBER SLATE	CATALOG PAGE
1	COV-HOR-SLEEVE INNER-LEFT-GEN2	SEE LEFT INNER SLEEVE PACK		21
2	COV-HOR-SLEEVE MIDDLE-GEN2	228839	228840	N/A
3	COV-HOR-SLEEVE OUTER LEFT-GEN2	228842	228843	N/A
4	COV-HOR-SLEEVE HDPE STOPPERS-LONG	SEE LEFT INNER SLEEVE PACK		21
5	COV-HOR-SLEEVE HDPE STOPPERS-LONG-REVERSED	SEE LEFT INNER SLEEVE PACK		21
6	COV-HOR-GAS SPRING TUBE-ASS'Y-GUIDE	SEE LEFT INNER SLEEVE PACK		21
7	COV-HOR-GAS SPRING TUBE-ASS'Y-GUIDE-SUPPORT	SEE LEFT INNER SLEEVE PACK		21
8	COV-HOR-SLEEVE HDPE STOPPERS-REVERSED-W/T-NUTS	SEE LEFT STOPPERS PACK		22
9	COV-HOR-SLEEVE STOPPER-BAR	SEE LEFT STOPPERS PACK		22
10	1/4-20-1/2 (PAN HEAD PHILLIPS #3 - SS 18-8)	SEE LEFT STOPPERS PACK		22
11	COV-HOR-ALL WEATHER SEAL	SEE ALL WEATHER SEAL PACK		22



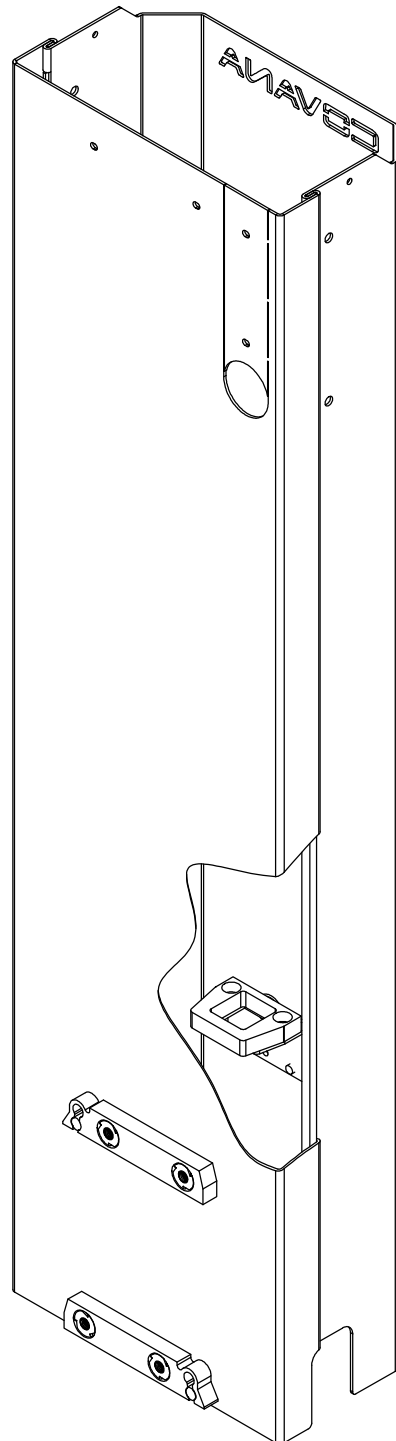
COMPLETE SLEEVE ASSEMBLY	
PART NUMBER	
MOCHA	SLATE
230189	230190

ITEM #	DESCRIPTION	PART NUMBER MOCHA	PART NUMBER SLATE	CATALOG PAGE
1	COV-HOR-SLEEVE INNER-RIGHT-GEN2	SEE RIGHT INNER SLEEVE PACK		21
2	COV-HOR-SLEEVE MIDDLE-GEN2	228839	228840	N/A
3	COV-HOR-SLEEVE OUTER RIGHT-GEN2	228848	228849	N/A
4	COV-HOR-SLEEVE HDPE STOPPERS-LONG	SEE RIGHT INNER SLEEVE PACK		21
5	COV-HOR-SLEEVE HDPE STOPPERS-LONG-REVERSED	SEE RIGHT INNER SLEEVE PACK		21
6	COV-HOR-GAS SPRING TUBE-ASS'Y-GUIDE	SEE RIGHT INNER SLEEVE PACK		21
7	COV-HOR-GAS SPRING TUBE-ASS'Y-GUIDE-SUPPORT	SEE RIGHT INNER SLEEVE PACK		21
8	COV-HOR-SLEEVE HDPE STOPPERS-W/T-NUTS	SEE RIGHT STOPPERS PACK		22
9	COV-HOR-SLEEVE STOPPER-BAR	SEE RIGHT STOPPERS PACK		22
10	1/4-20-1/2 (PAN HEAD PHILLIPS #3 - SS 18-8)	SEE RIGHT STOPPERS PACK		22
11	COV-HOR-ALL WEATHER SEAL	SEE ALL WEATHER SEAL PACK		22



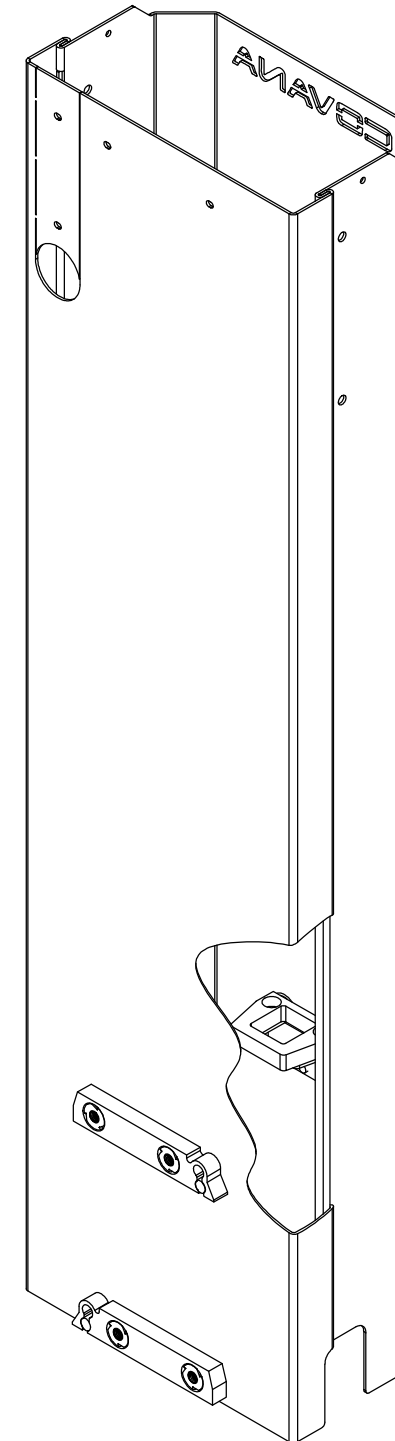
COMPLETE SLEEVE ASSEMBLY	
PART NUMBER	
MOCHA	SLATE
230191	230192

LEFT INNER SLEEVE PACK	
DESCRIPTION	QTY.
COV-HOR-SLEEVE INNER-LEFT-GEN2	1
COV-HOR-GAS SPRING TUBE-ASS'Y-GUIDE-SUPPORT	1
COV-HOR-GAS SPRING TUBE-ASS'Y-GUIDE	1
Ø 1/4" ALUMINUM RIVET	9
COV-HOR-SLEEVE HDPE STOPPERS-LONG	1
COV-HOR-SLEEVE HDPE STOPPERS-LONG-REVERSED	1



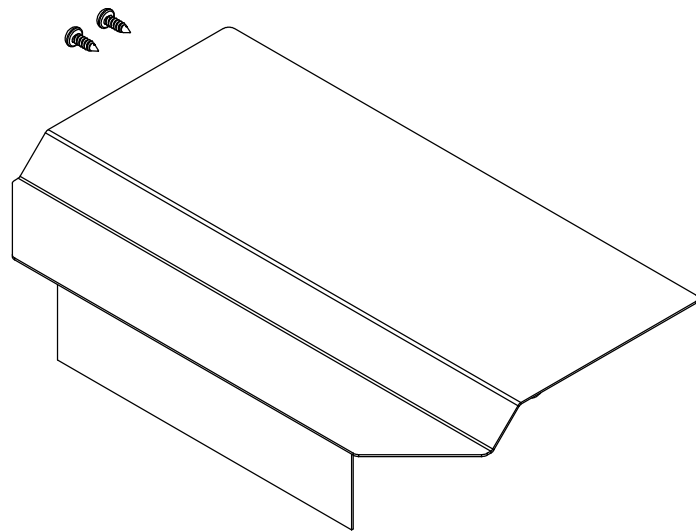
PART NUMBER	
MOCHA	SLATE
230193	230194

RIGHT INNER SLEEVE PACK	
DESCRIPTION	QTY.
COV-HOR-SLEEVE INNER-RIGHT-GEN2	1
COV-HOR-GAS SPRING TUBE-ASS'Y-GUIDE-SUPPORT	1
COV-HOR-GAS SPRING TUBE-ASS'Y-GUIDE	1
Ø 1/4" ALUMINUM RIVET	9
COV-HOR-SLEEVE HDPE STOPPERS-LONG	1
COV-HOR-SLEEVE HDPE STOPPERS-LONG-REVERSED	1



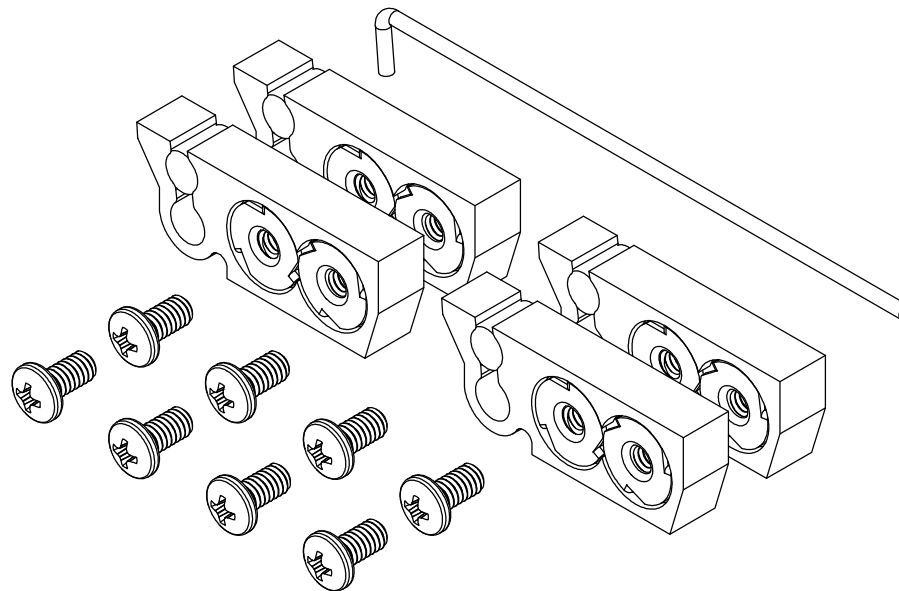
PART NUMBER	
MOCHA	SLATE
230195	230196

TOP PLATE PACK	
DESCRIPTION	QTY.
COV-HOR-SLEEVE ASS'Y TOP PLATE	1
#8 X 3/4"RHSD SLFTP SCREW-Z/P	2



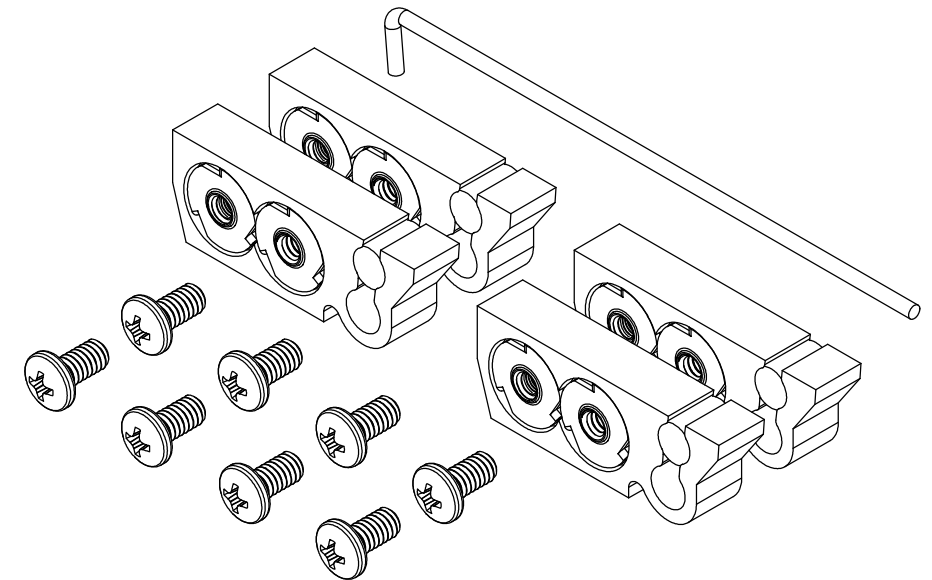
PART NUMBER	
MOCHA	SLATE
230197	230198

LEFT STOPPERS PACK	
DESCRIPTION	QTY.
COV-HOR-SLEEVE HDPE STOPPERS-REVERSED-W/T-NUTS	4
1/4-20-1/2 (PAN HEAD PHILLIPS #3 - SS 18-8)	8
COV-HOR-SLEEVE STOPPER-BAR	1



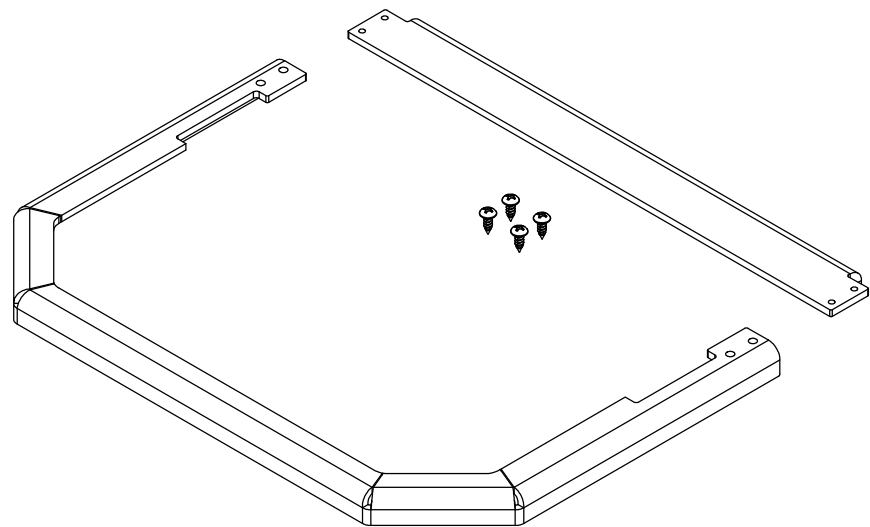
PART NUMBER	
MOCHA	SLATE
230199	

RIGHT STOPPERS PACK	
DESCRIPTION	QTY.
COV-HOR-SLEEVE HDPE STOPPERS-W/T-NUTS	4
1/4-20-1/2 (PAN HEAD PHILLIPS #3 - SS 18-8)	8
COV-HOR-SLEEVE STOPPER-BAR	1



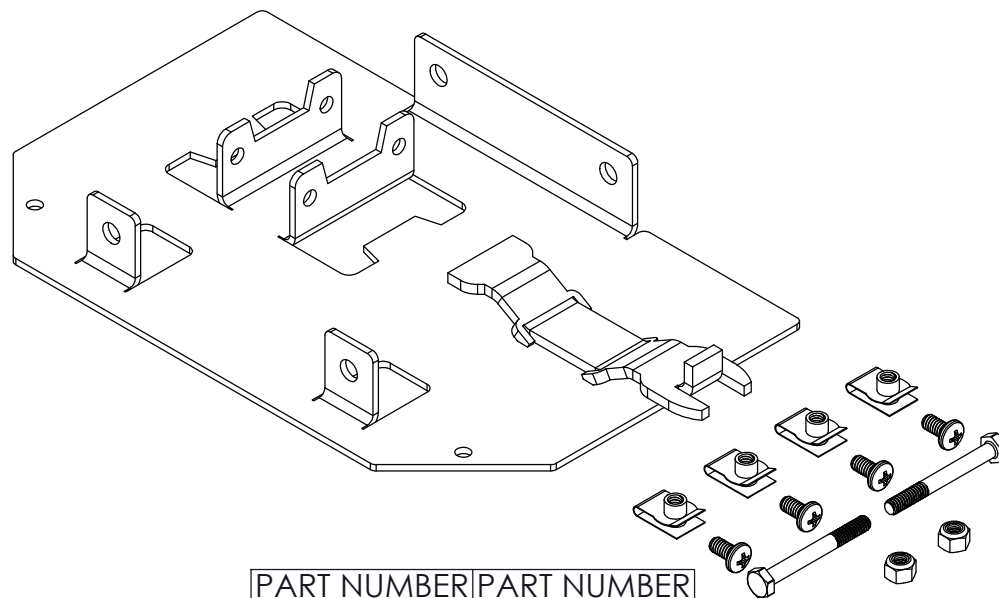
PART NUMBER	
MOCHA	SLATE
230200	

ALL WEATHER SEAL PACK	
DESCRIPTION	QTY.
COV-HOR-ALL WEATHER SEAL FRONT	1
COV-HOR-ALL WEATHER SEAL BACK	1
#6 x 3/8" PHILLIPS SHEET METAL SCREW Z/P	4



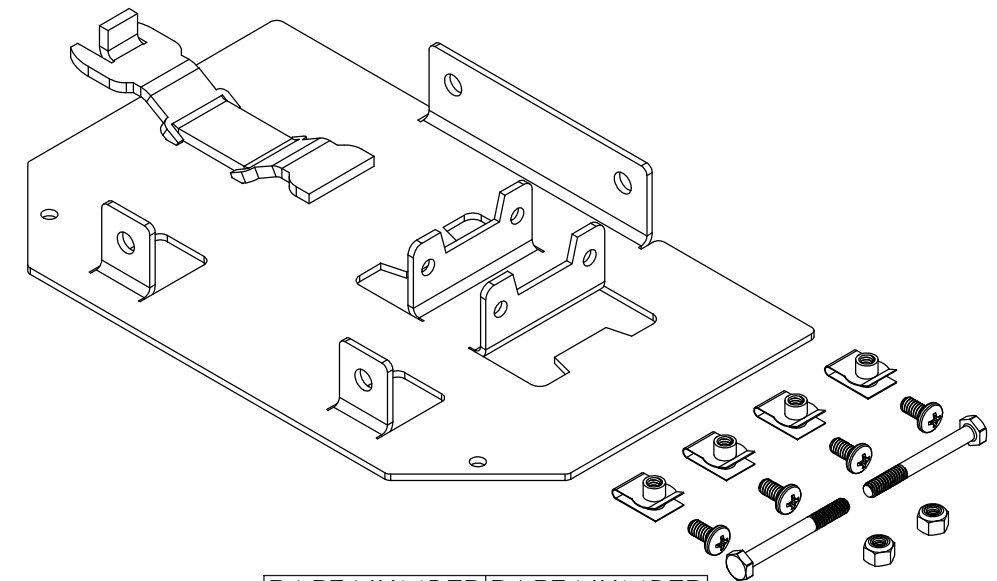
PART NUMBER	PART NUMBER
MOCHA	SLATE
230201	230202

LEFT FOOT PLATE PACK	
DESCRIPTION	QTY.
COV-HOR-FOOT PLATE ASS'Y-LEFT-GEN2	1
1/4-20(PANEL NUT)	4
1/4-20-1/2 (PAN HEAD PHILLIPS #3 - SS 18-8)	4
1/4-20x2 1/4" HEX CAP SCREW	2
1/4-20 NYLON LOCK NUT	2



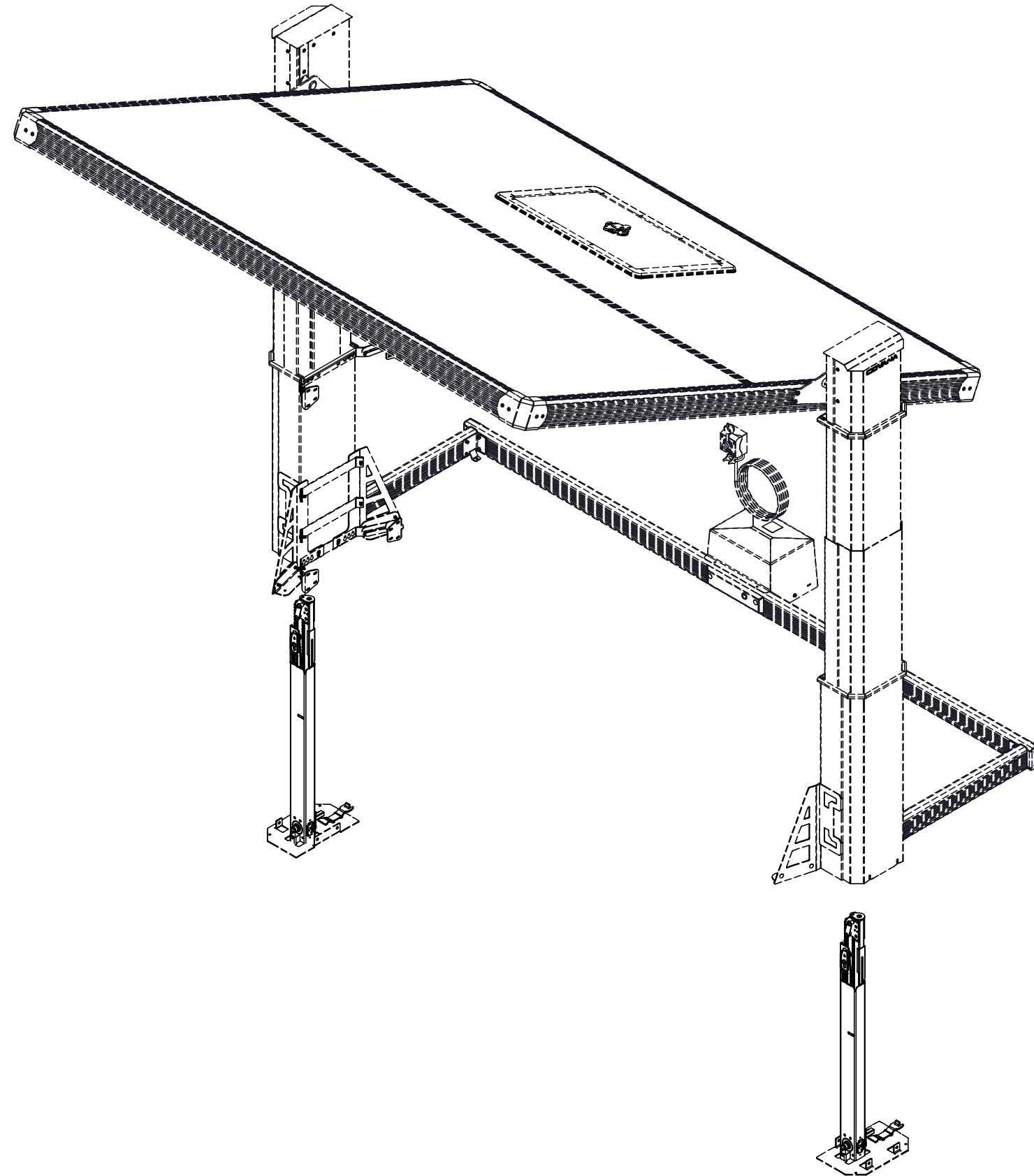
PART NUMBER	PART NUMBER
MOCHA	SLATE
230203	230205

RIGHT FOOT PLATE PACK	
DESCRIPTION	QTY.
COV-HOR-FOOT PLATE ASS'Y-RIGHT-GEN2	1
1/4-20(PANEL NUT)	4
1/4-20-1/2 (PAN HEAD PHILLIPS #3 - SS 18-8)	4
1/4-20x2 1/4" HEX CAP SCREW	2
1/4-20 NYLON LOCK NUT	2



PART NUMBER	PART NUMBER
MOCHA	SLATE
230206	230207

JACKS ASSEMBLY SECTION



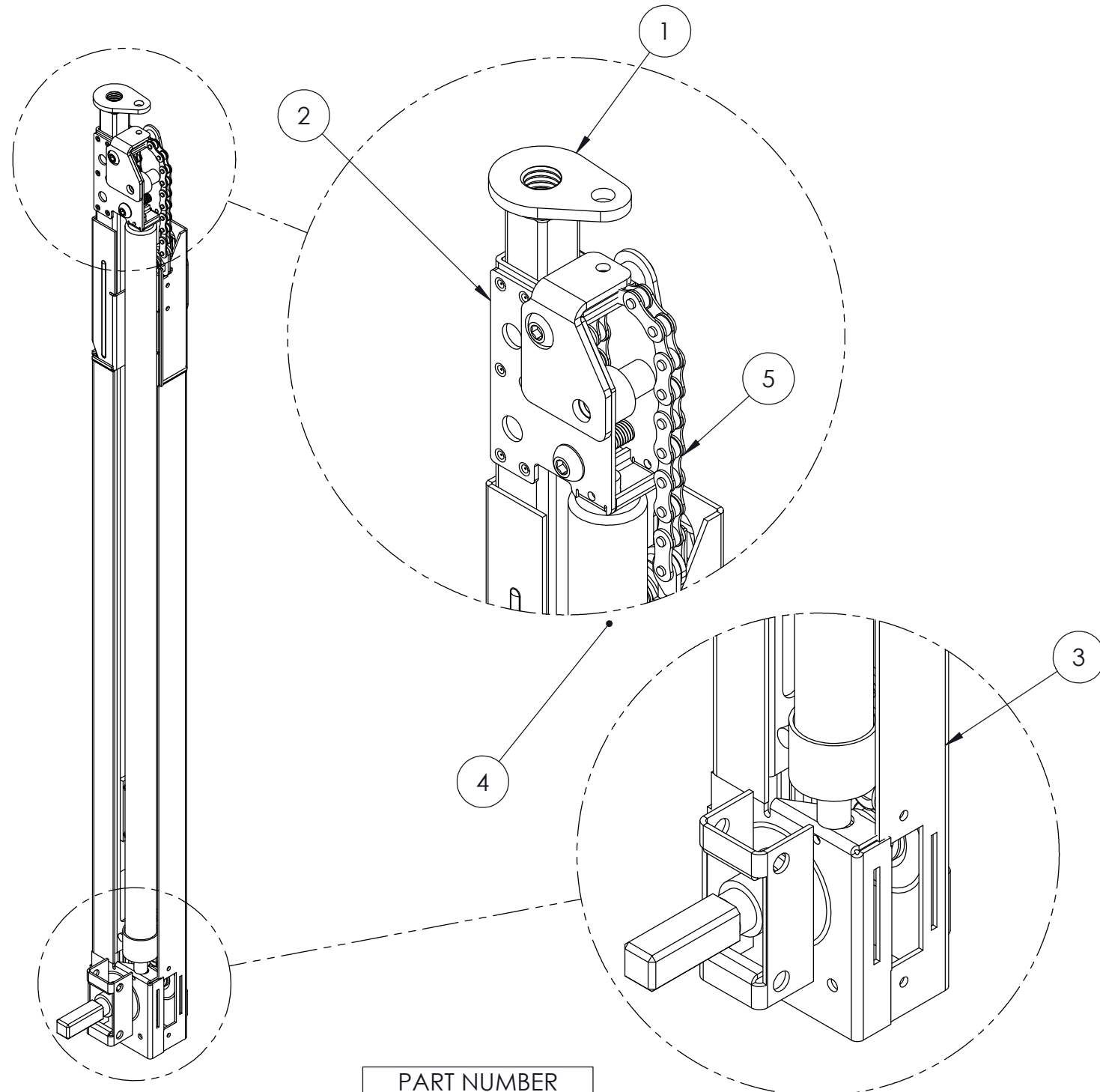
IMPORTANT NOTE : PLEASE SELECT JACK VERSION BEFORE SELECTING REPLACEMENT PART NUMBERS.

IMPERIAL MODEL

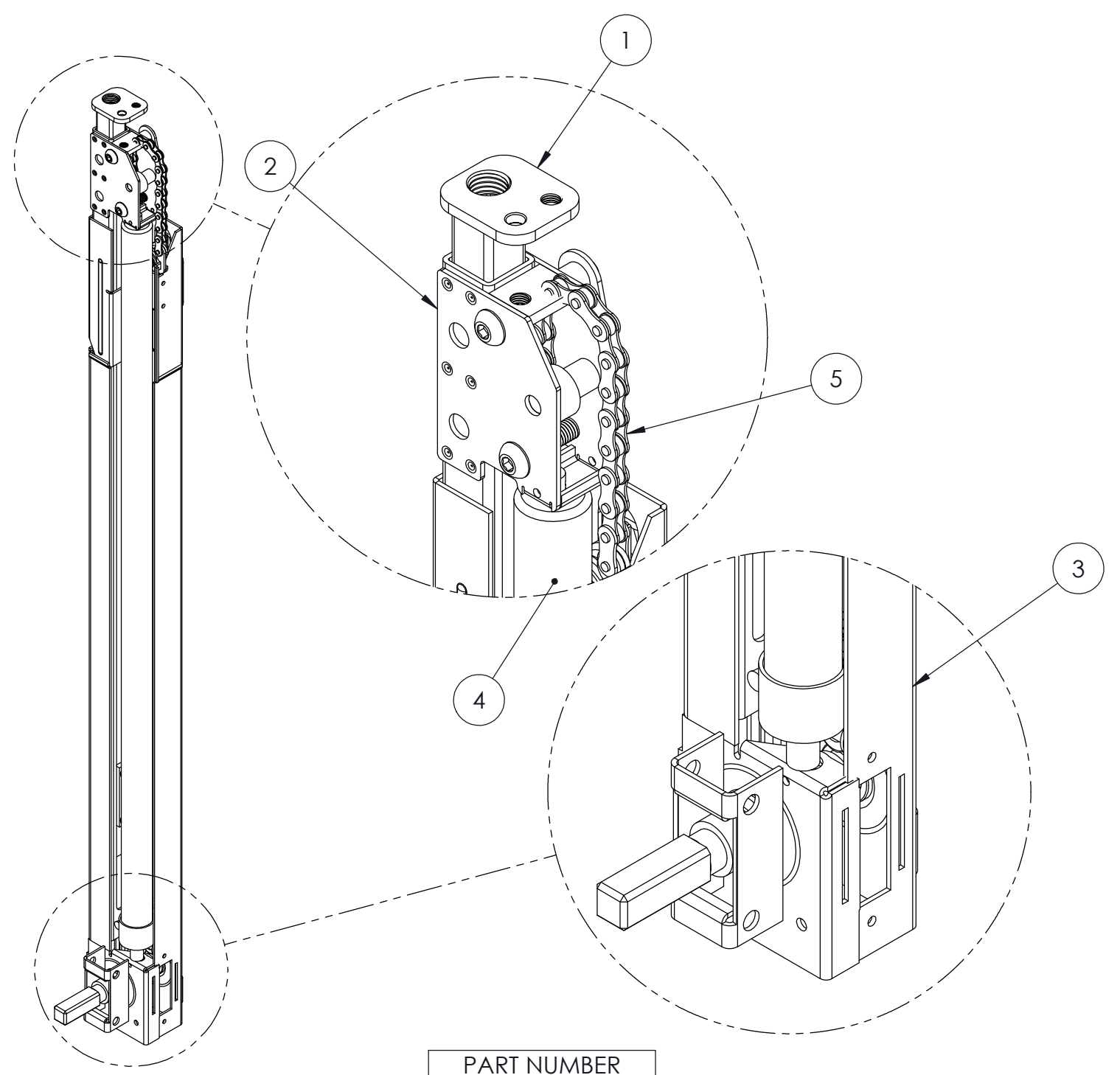
ITEM #	DESCRIPTION	ARTICLE CODE	CATALOG PAGE
1	INNER POST SUB-ASSY	SEE G3-1000 INNER POST ASS'Y	25
2	MIDDLE POST SUB-ASSY	SEE G3-1000 MIDDLE POST PACK	25
3	OUTER POST SUB-ASSY	NOT AVAILABLE	-
4	GAS SPRING 700N	SEE G3-1000 GAS SPRING PACK	26
5	INNER TUBE CHAIN WITH HOOKS	SEE G3-1000 INNER POST CHAIN PACK	26

METRIC MODEL

ITEM #	DESCRIPTION	ARTICLE CODE	CATALOG PAGE
1	INNER POST SUB-ASSY	SEE G3-1000 INNER POST PACK	25
2	MIDDLE POST SUB-ASSY	SEE G3-1000 MIDDLE POST PACK	25
3	OUTER POST SUB-ASSY	NOT AVAILABLE	-
4	GAS SPRING 700N	SEE G3-1000 GAS SPRING PACK	26
5	INNER TUBE CHAIN WITH HOOKS	G3-1000 INNER TUBE CHAIN PACK	26



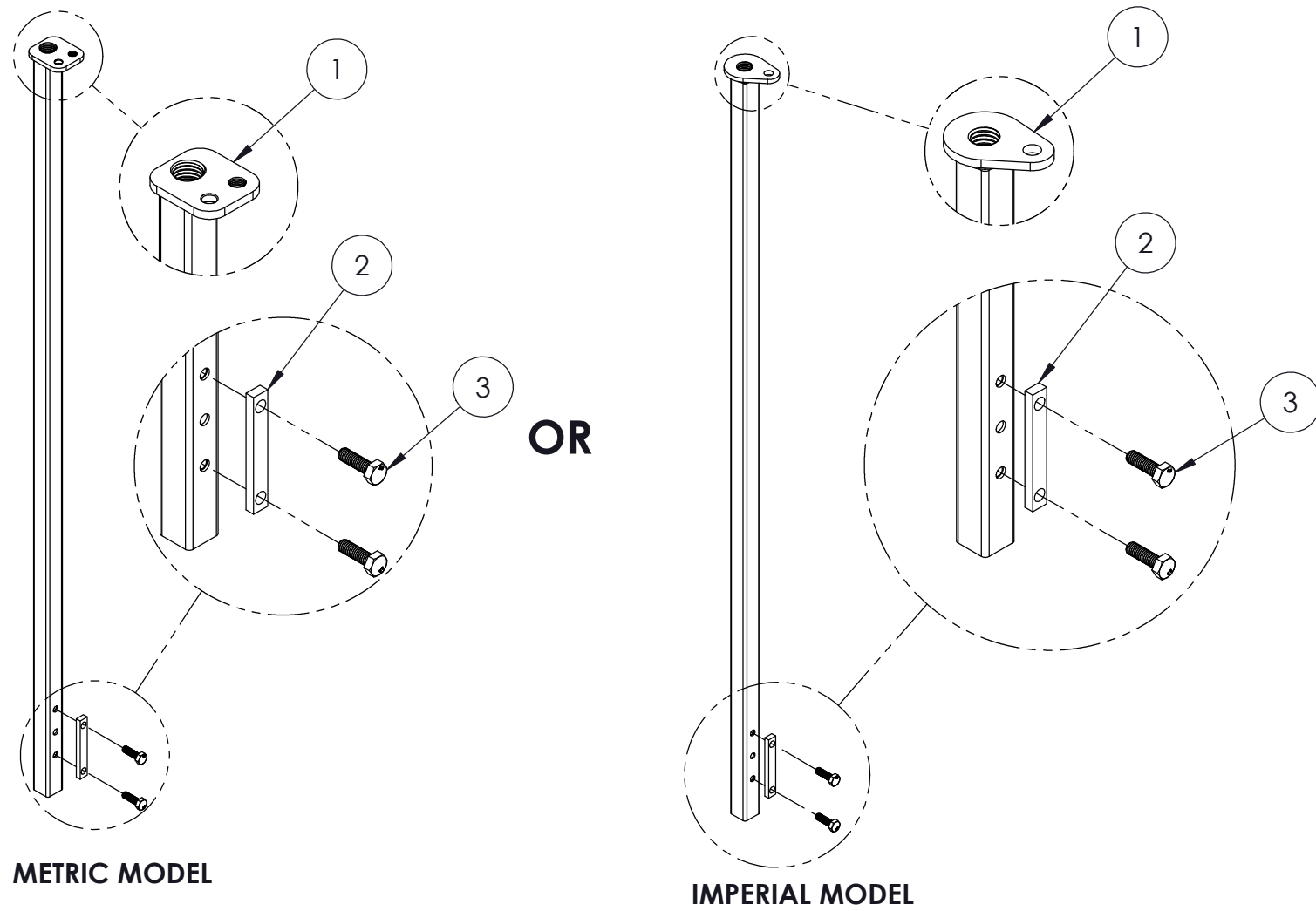
PART NUMBER
225347



PART NUMBER
230434

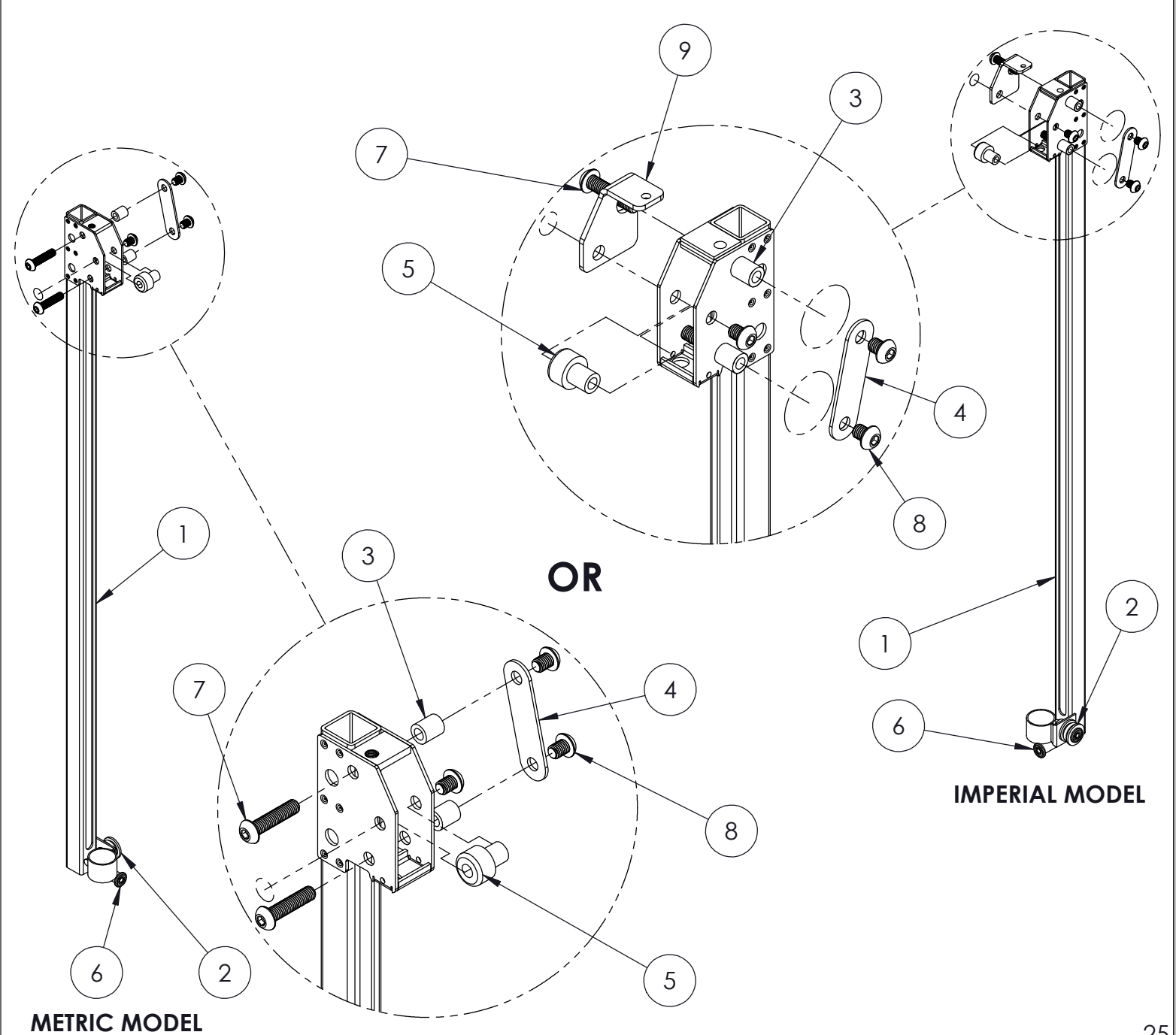
G3-1000 INNER TUBE ASS'Y

ITEM #	DESCRIPTION	ARTICLE CODE	CATALOG PAGE
1	INNER POST WELDMENT	NOT AVAILABLE	-
2	CHAIN HOLDER SPACER	SEE G3 INNER TUBE PACK	26
3	HEX CAP SCREW M6 x 20mm	SEE G3 INNER TUBE PACK	26

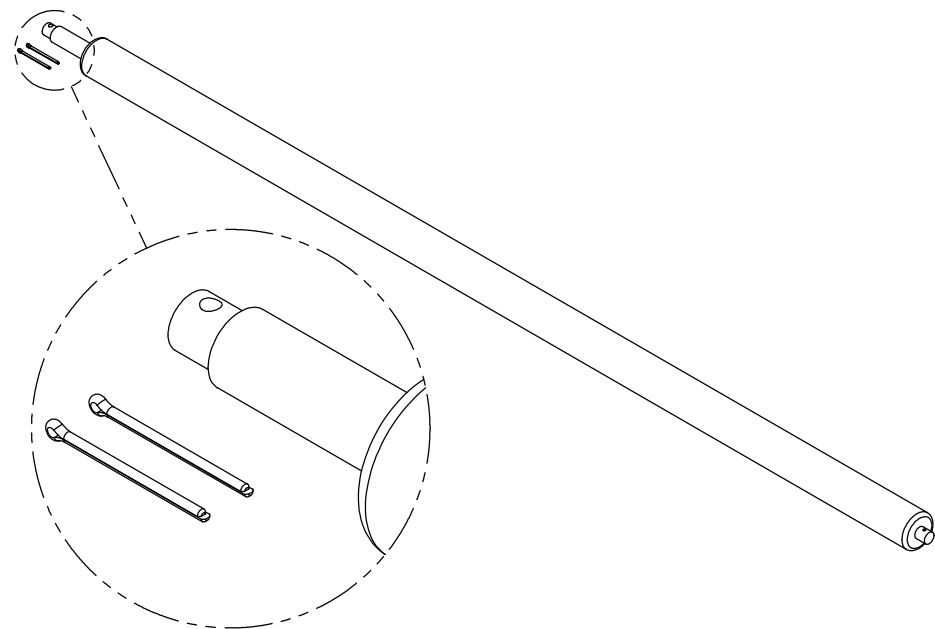


G3-1000 MIDDLE TUBE ASS'Y

ITEM #	DESCRIPTION	ARTICLE CODE	CATALOG PAGE
1	MIDDLE POST WELDMENT	NOT AVAILABLE	-
2	UHMW PULLEY 22mm	SEE G3 MIDDLE TUBE PACK	26
3	MIDDLE POST TOP IDLER	SEE G3 MIDDLE TUBE PACK	26
4	TOP SUPPORT BRACKET	NOT AVAILABLE	26
5	MIDDLE POST TOP IDLER SPACER	SEE G3 MIDDLE TUBE PACK	26
6	BOTTOM SLIDE PLASTIC BUTTON	SEE G3 MIDDLE TUBE PACK	26
7	ROUNDED HEAD SCREW M8 x 35mm LG.	SEE G3 MIDDLE TUBE PACK	-
8	ROUNDED HEAD SCREW M8 x 10mm LG.	SEE G3 MIDDLE TUBE PACK	-
9	COV-GEN-POST G3 LOCKING BRACKET	NOT AVAILABLE	-

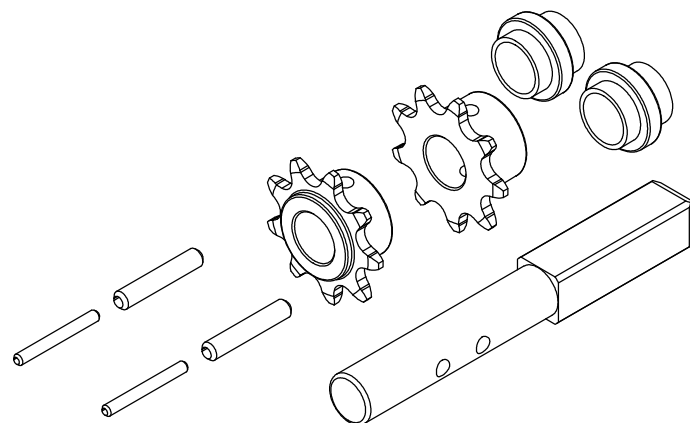


G3-1000 GAS SPRING PACK	
DESCRIPTION	QTY.
GAS SPRING	1
5/64" X 3/4" COTTER PIN (Z/P)	2



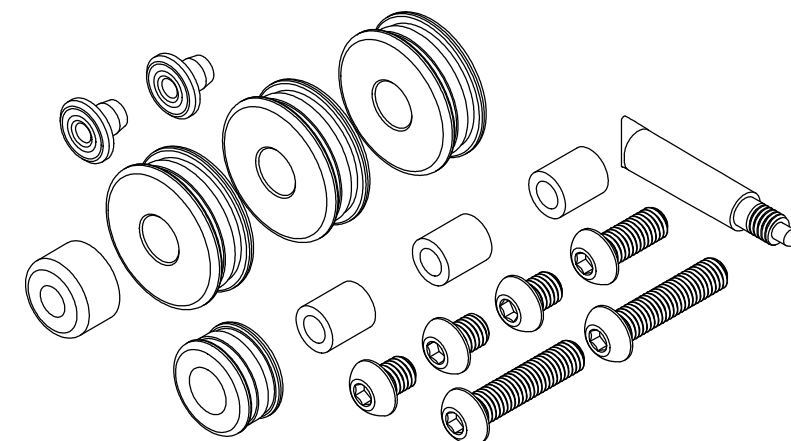
PART NUMBER
230639

G3-LOWER SHAFT PACK	
DESCRIPTION	QTY.
5mm SPRING PIN	2
3mm SPRING PIN	2
6802-2RS SPECIAL BEARING	2
SPROCKET TPSP9-410-DB (DRIVE)	1
SPROCKET TPSP9-410-DB (AUX)	1
BOTTOM SHAFT (FULL LENGTH)	1



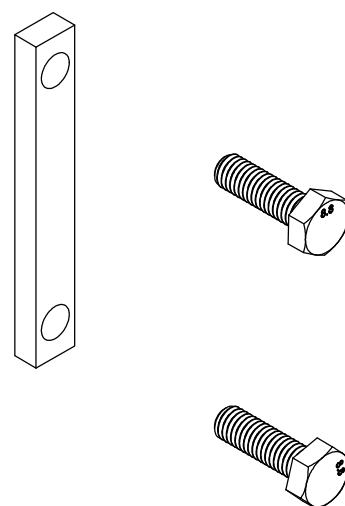
PART NUMBER
230640

G3-MIDDLE TUBE PACK	
DESCRIPTION	QTY.
CHAIN GUIDE PULLEY	3
UHMW SMALL PULLEY	1
MIDDLE POST TOP IDLER	3
MIDDLE POST TOP IDLER SPACER	1
BOTTOM SLIDE PLASTIC BUTTON	2
M8-1.25 x 20mm ROUND SOCKET HEAD-Z/P	1
M8-1.25 x 35mm ROUND SOCKET HEAD-Z/P	2
M8-1.25 x 10mm ROUND SOCKET HEAD-Z/P	3
RED THREADLOCKER TUBE (2ml)	1



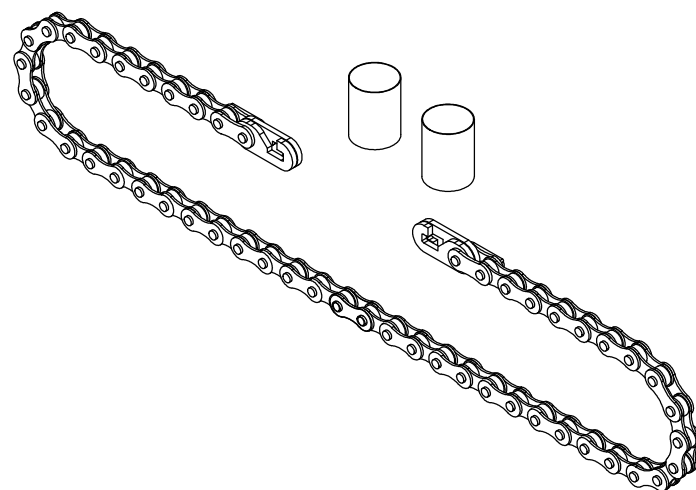
PART NUMBER
233454

G3-INNER TUBE PACK	
DESCRIPTION	QTY.
HEX CAP SCREW M6 x 20mm	2
CHAIN HOLDER SPACER	1



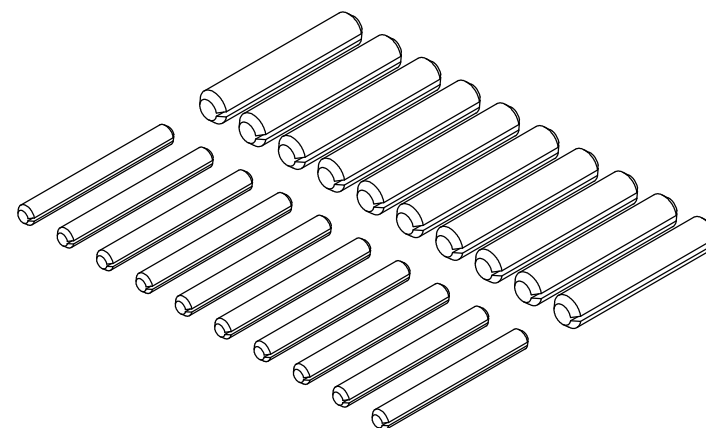
PART NUMBER
233455

G3-1000 INNER TUBE CHAIN PACK	
DESCRIPTION	QTY.
INNER TUBE CHAIN WITH HOOKS	1
HEAT SHRINK TUBE	2



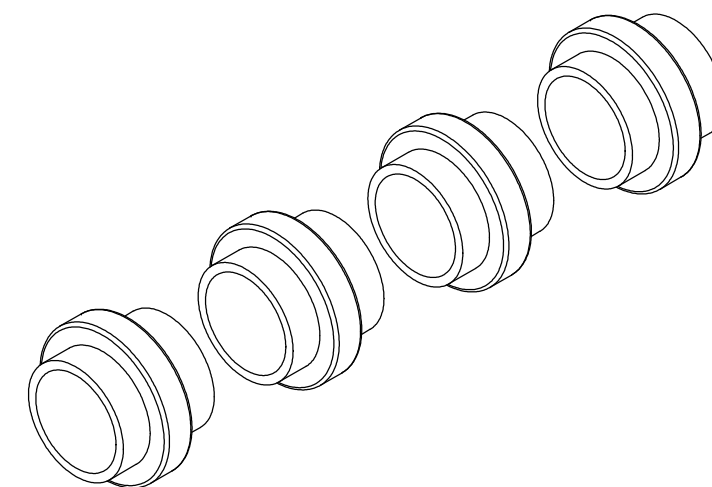
PART NUMBER
230643

G3-SPRING PIN PACK	
DESCRIPTION	QTY.
5mm SPRING PIN	10
3mm SPRING PIN	10



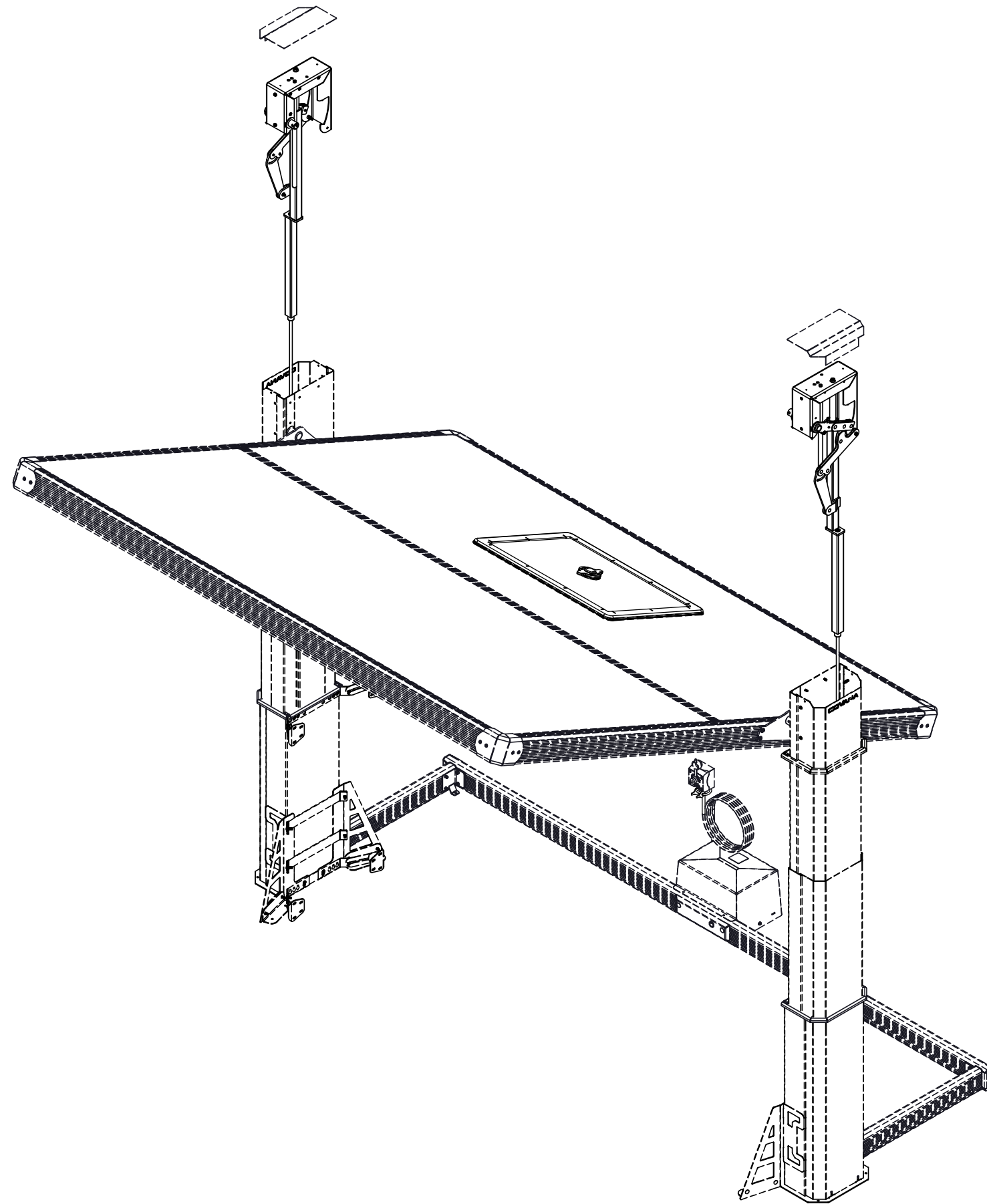
PART NUMBER
230644

G3-BEARINGS PACK	
DESCRIPTION	QTY.
6802-2RS SPECIAL BEARING	4



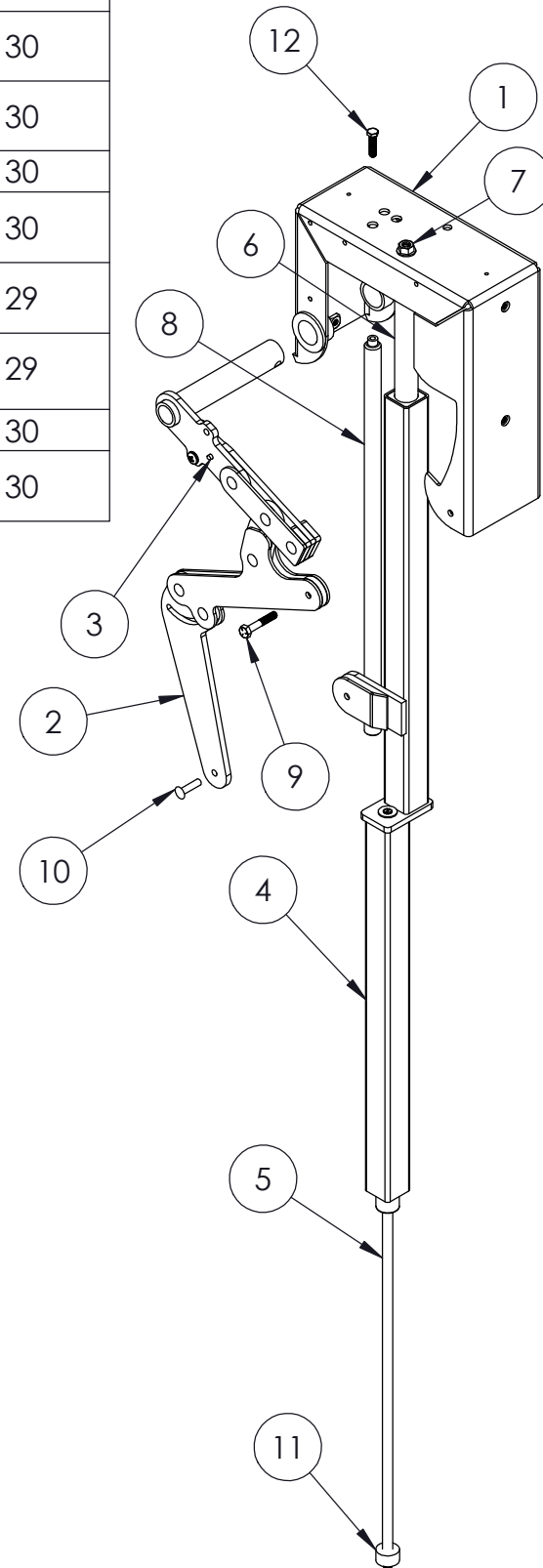
PART NUMBER
230641

PIVOTS ASSEMBLY SECTION



LEFT COMPLETE PIVOT PACK

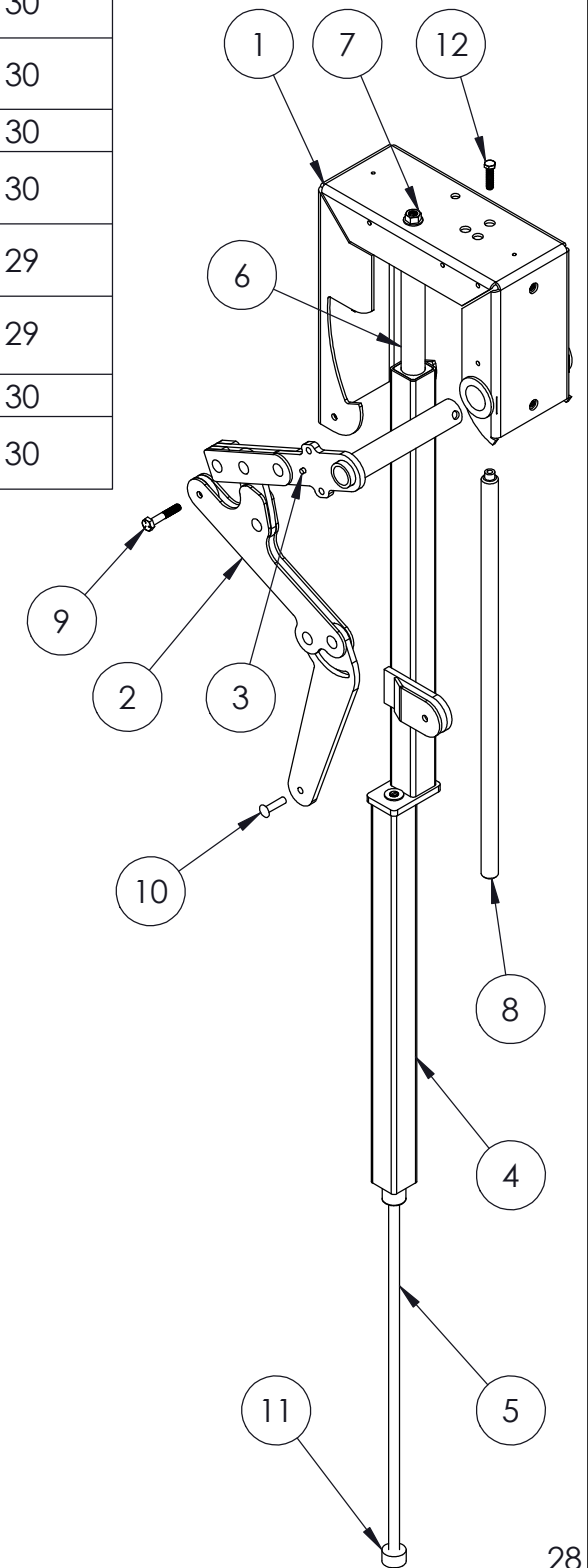
ITEM #	DESCRIPTION	PART NUMBER	CATALOG PAGE
1	COV-HOR-PIVOT MAIN PLATE	SEE MAIN PLATE PACK	30
2	COV-HOR-LEFT PARTIAL PIVOT	SEE LEFT PARTIAL PIVOT PACK	29
3	COV-HOR-SHEAR-PIN	SEE SHEAR PIN PACK	30
4	COV-HOR-GAS SPRING TUBE ASS'Y-LEFT	SEE LEFT GAS SPRING TUBE ASSEMBLY PACK	29
5	GAS SPRING SG3410F-555N(THREADED ENDS)	SEE GAS SPRING PACK	30
6	GAS SPRING SG3350F-335N(THREADED ENDS)	SEE GAS SPRING PACK	30
7	M8-1.25 HEX FLANGE NUT	SEE GAS SPRING PACK	30
8	COV-HOR-ADJUSTMENT THREADED ROD-METRIC	SEE THREADED ROD PACK	30
9	1/4-20x1 1/2" PRTLY THRD HEX CAP SCREW GRADE 5-Z/P	SEE LEFT PARTIAL PIVOT PACK	29
10	STEEL RIVET 1/4"x1" Lg. (Z/P)	SEE LEFT PARTIAL PIVOT PACK	29
11	COV-HOR-GAS SPRING FOOT	SEE GAS SPRING PACK	30
12	1/4-20-1 (HEX CAP SCREW SS 18-8)	SEE THREADED ROD PACK	30



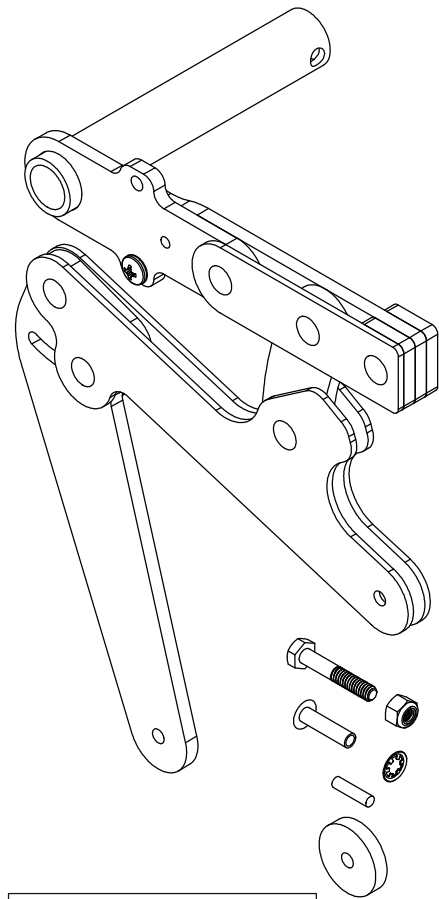
PART NUMBER
225298

RIGHT COMPLETE PIVOT PACK

ITEM #	DESCRIPTION	PART NUMBER	CATALOG PAGE
1	COV-HOR-PIVOT MAIN PLATE	SEE MAIN PLATE PACK	30
2	COV-HOR-RIGHT PARTIAL PIVOT	SEE RIGHT PARTIAL PIVOT PACK	29
3	COV-HOR-SHEAR-PIN	SEE SHEAR PIN PACK	30
4	COV-HOR-GAS SPRING TUBE ASS'Y-RIGHT	SEE RIGHT GAS SPRING TUBE ASSEMBLY PACK	29
5	GAS SPRING SG3410F-555N(THREADED ENDS)	SEE GAS SPRING PACK	30
6	GAS SPRING SG3350F-335N(THREADED ENDS)	SEE GAS SPRING PACK	30
7	M8-1.25 HEX FLANGE NUT	SEE GAS SPRING PACK	30
8	COV-HOR-ADJUSTMENT THREADED ROD	SEE THREADED ROD PACK	30
9	1/4-20x1 1/2" PRTLY THRD HEX CAP SCREW GRADE 5-Z/P	SEE RIGHT PARTIAL PIVOT PACK	29
10	STEEL RIVET 1/4"x1" Lg. (Z/P)	SEE RIGHT PARTIAL PIVOT PACK	29
11	COV-HOR-GAS SPRING FOOT	SEE GAS SPRING PACK	30
12	1/4-20-1 (HEX CAP SCREW SS 18-8)	SEE THREADED ROD PACK	30

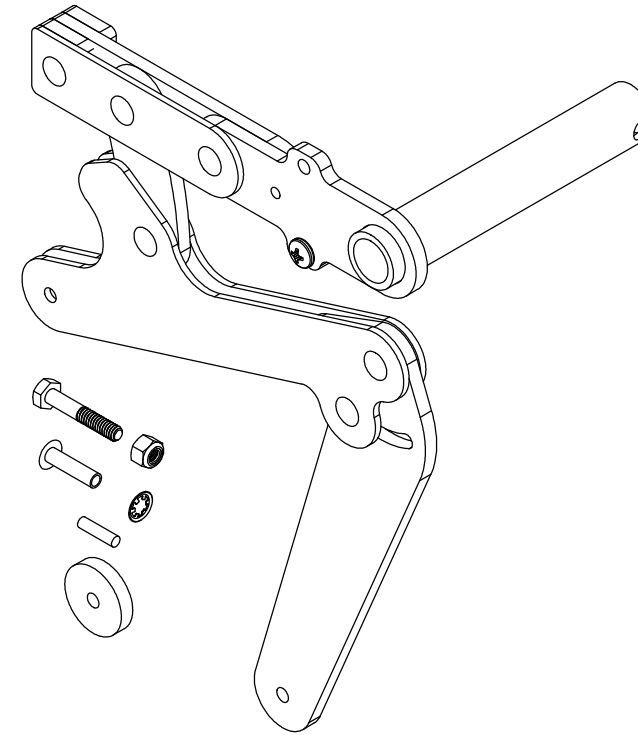


PART NUMBER
225297



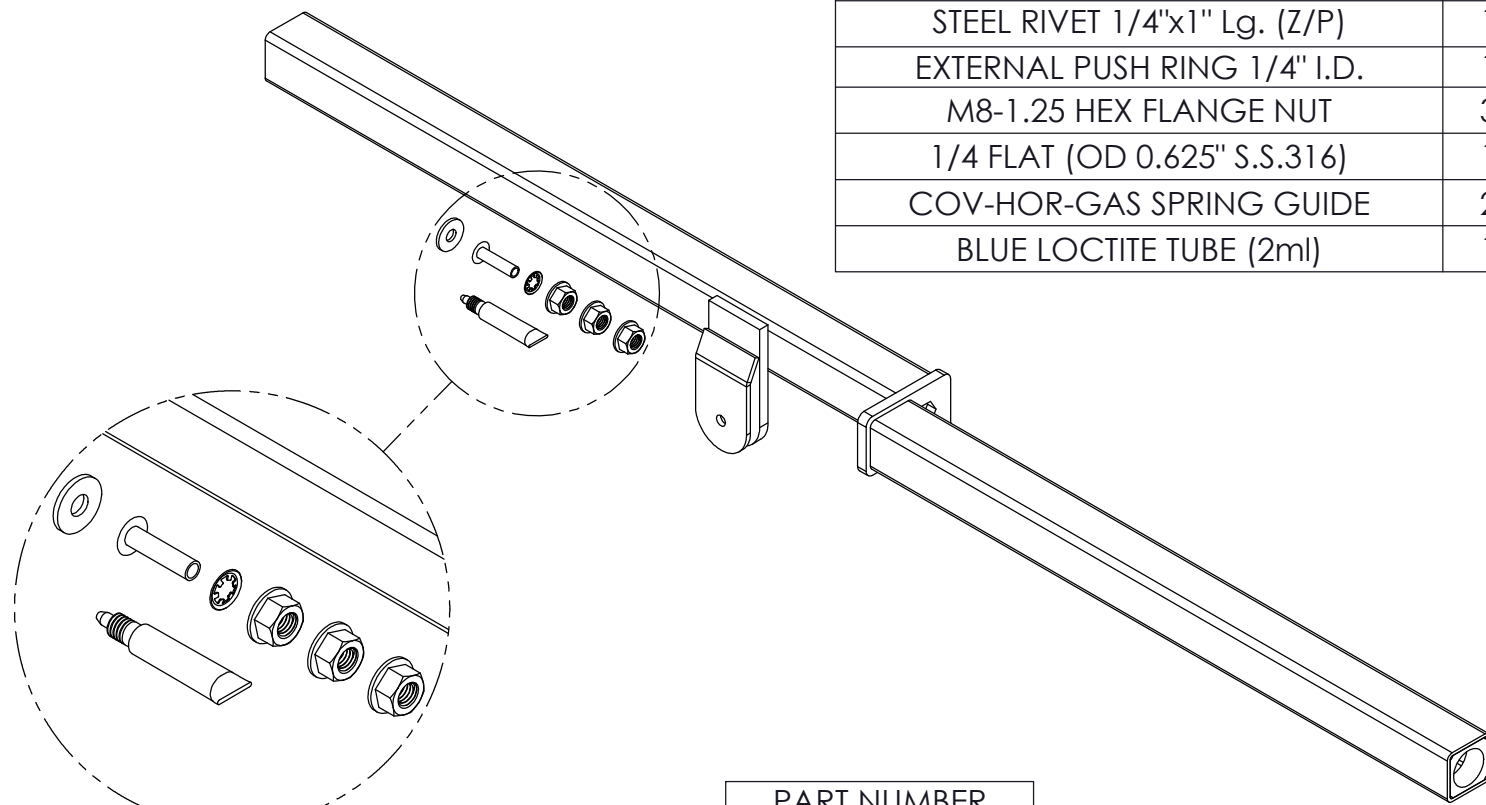
PART NUMBER
230208

LEFT PARTIAL PIVOT PACK	
DESCRIPTION	QTY.
HORIZON PARTIAL PIVOT	1
1/4-20x1 1/2" PRTLY THRD HEX CAP SCREW GRADE 5-Z/P	1
STEEL RIVET 1/4"x1" Lg. (Z/P)	1
1/4-20 NYLON LOCK NUT	1
EXTERNAL PUSH RING 1/4" I.D.	1
PIVOT SPACER-0.250"THCK	1
COV-HOR-SHEAR-PIN	1



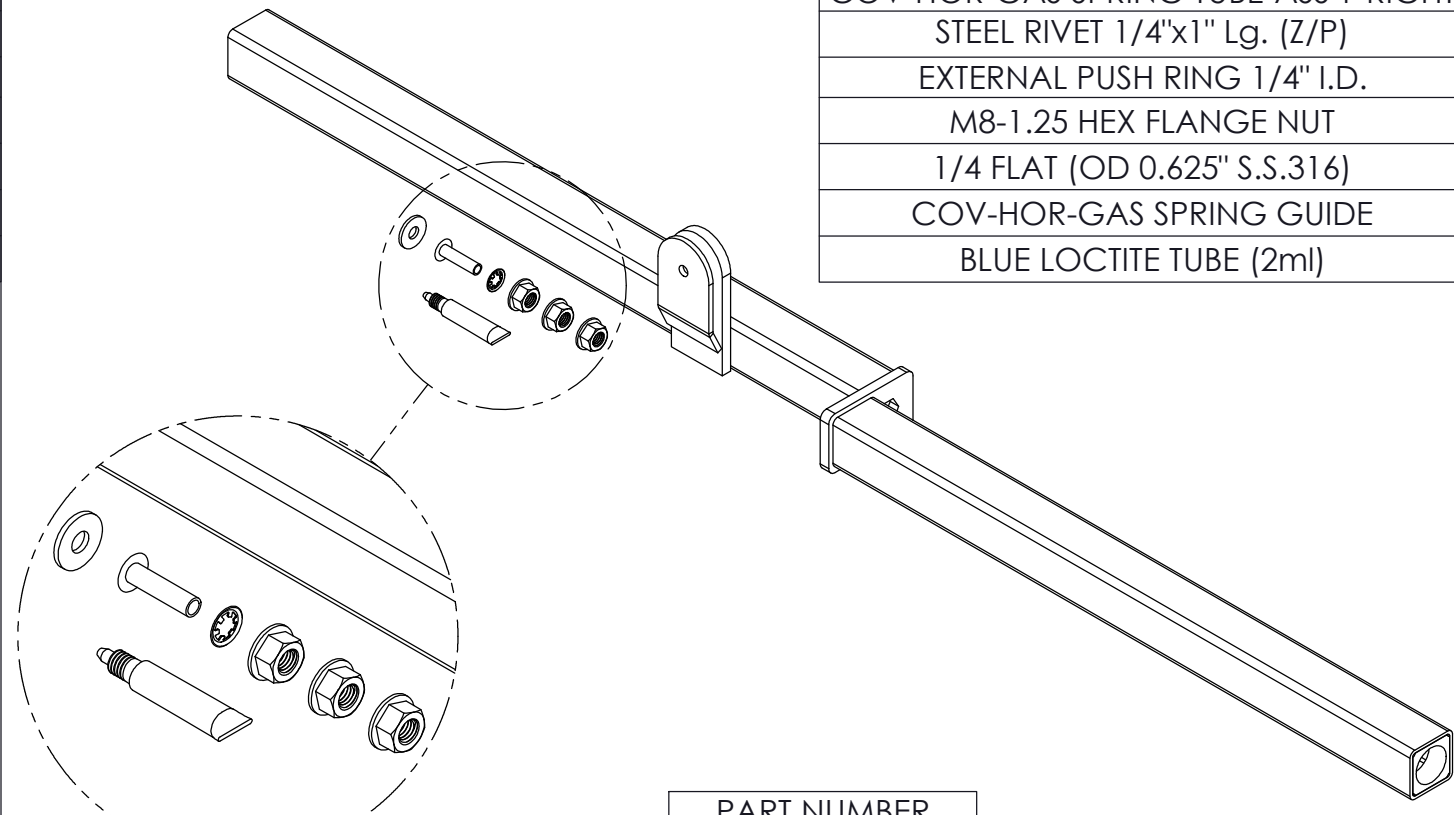
PART NUMBER
230209

RIGHT PARTIAL PIVOT PACK	
DESCRIPTION	QTY.
HORIZON PARTIAL PIVOT	1
1/4-20x1 1/2" PRTLY THRD HEX CAP SCREW GRADE 5-Z/P	1
STEEL RIVET 1/4"x1" Lg. (Z/P)	1
1/4-20 NYLON LOCK NUT	1
EXTERNAL PUSH RING 1/4" I.D.	1
PIVOT SPACER-0.250"THCK	1
COV-HOR-SHEAR-PIN	1



PART NUMBER
230210

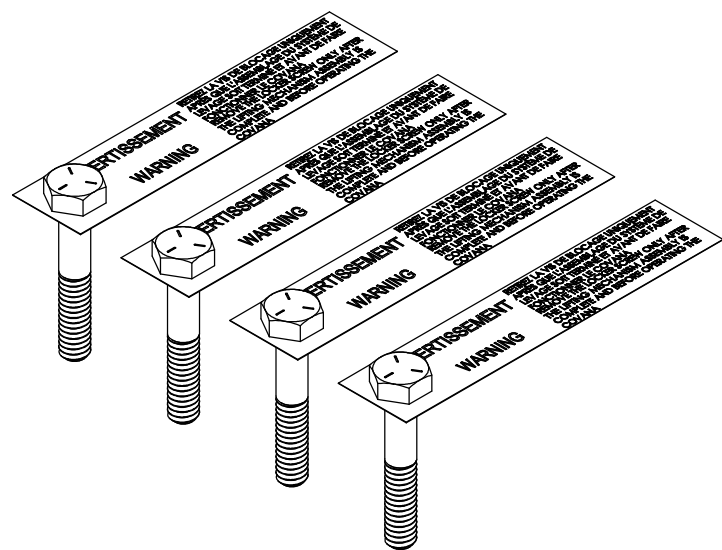
LEFT GAS SPRING TUBE ASSEMBLY PACK	
DESCRIPTION	QTY.
COV-HOR-GAS SPRING TUBE ASS'Y-LEFT	1
STEEL RIVET 1/4"x1" Lg. (Z/P)	1
EXTERNAL PUSH RING 1/4" I.D.	1
M8-1.25 HEX FLANGE NUT	3
1/4 FLAT (OD 0.625" S.S.316)	1
COV-HOR-GAS SPRING GUIDE	2
BLUE LOCTITE TUBE (2ml)	1



PART NUMBER
230211

RIGHT GAS SPRING TUBE ASSEMBLY PACK	
DESCRIPTION	QTY.
COV-HOR-GAS SPRING TUBE-ASS'Y-RIGHT	1
STEEL RIVET 1/4"x1" Lg. (Z/P)	1
EXTERNAL PUSH RING 1/4" I.D.	1
M8-1.25 HEX FLANGE NUT	3
1/4 FLAT (OD 0.625" S.S.316)	1
COV-HOR-GAS SPRING GUIDE	2
BLUE LOCTITE TUBE (2ml)	1

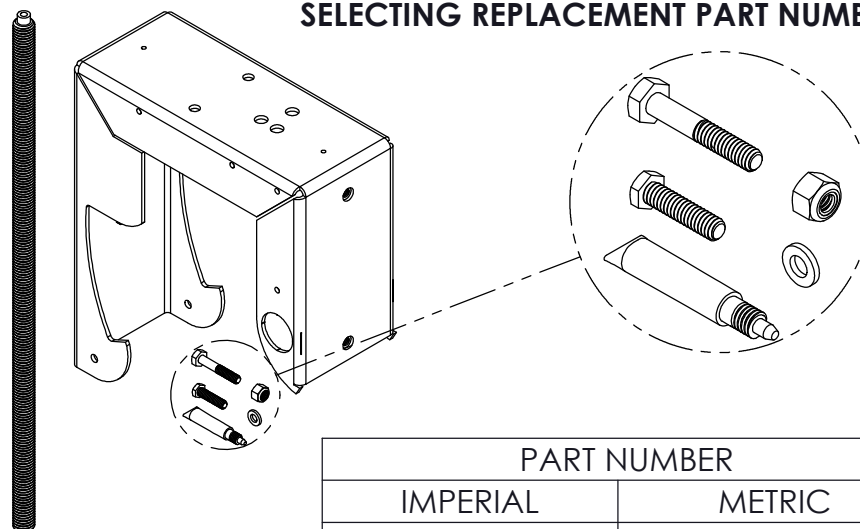
JACK LOCK BOLT PACK	
DESCRIPTION	QTY.
1/4-20x1 1/2" PRTLY THRD HEX CAP SCREW GRADE 5-Z/P	4
JACK LOCK BOLT-LABEL	4



PART NUMBER
230212

MAIN PLATE PACK	
DESCRIPTION	QTY.
COV-HOR-PIVOT MAIN PLATE	1
1/4-20x1 1/2" PRTLY THRD HEX CAP SCREW GRADE 5-Z/P	1
1/4-20 NYLON LOCK NUT	1
COV-HOR-ADJUSTMENT THREADED ROD	1
1/4-20-1 (HEX CAP SCREW SS 18-8)	1
RED LOCTITE TUBE (2ml)	1
FLAT WASHER M6 (Z/P)	1

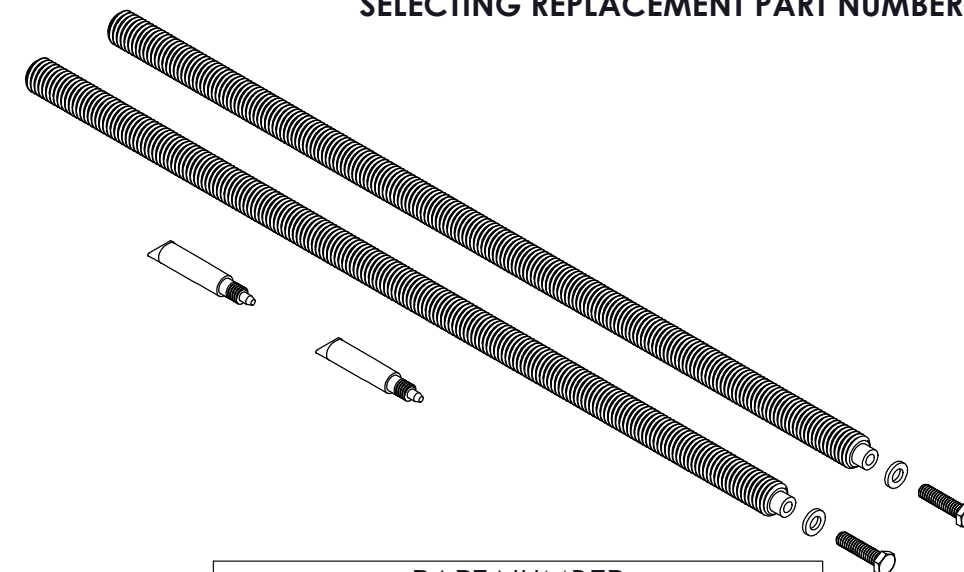
IMPORTANT NOTE : PLEASE SELECT JACK VERSION BEFORE SELECTING REPLACEMENT PART NUMBER.



PART NUMBER	
IMPERIAL	METRIC
230213	230214

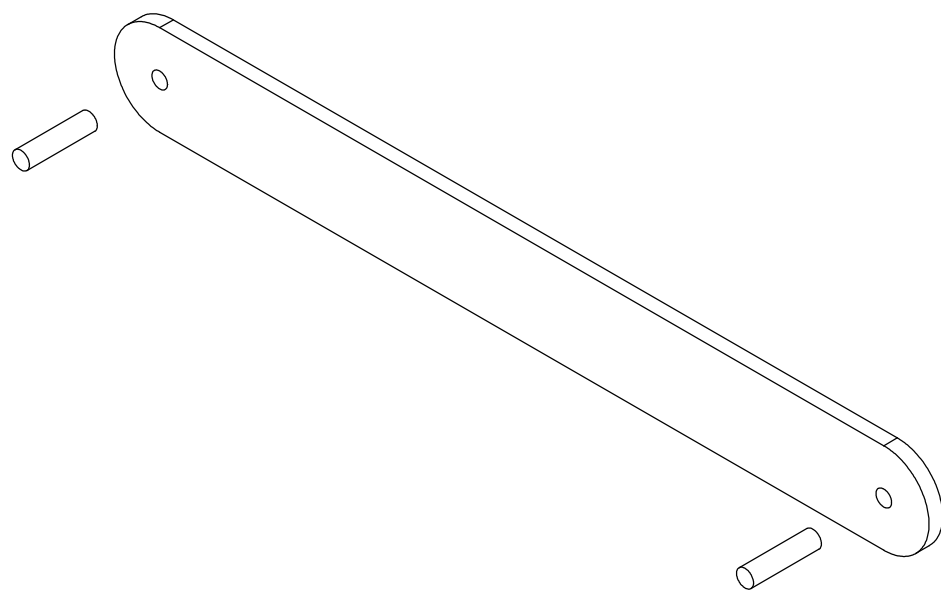
THREADED ROD PACK	
DESCRIPTION	QTY.
COV-HOR-ADJUSTMENT THREADED ROD	2
1/4-20-1 (HEX CAP SCREW SS 18-8)	2
RED LOCTITE TUBE (2ml)	2
FLAT WASHER M6 (Z/P)	2

IMPORTANT NOTE : PLEASE SELECT JACK VERSION BEFORE SELECTING REPLACEMENT PART NUMBER.



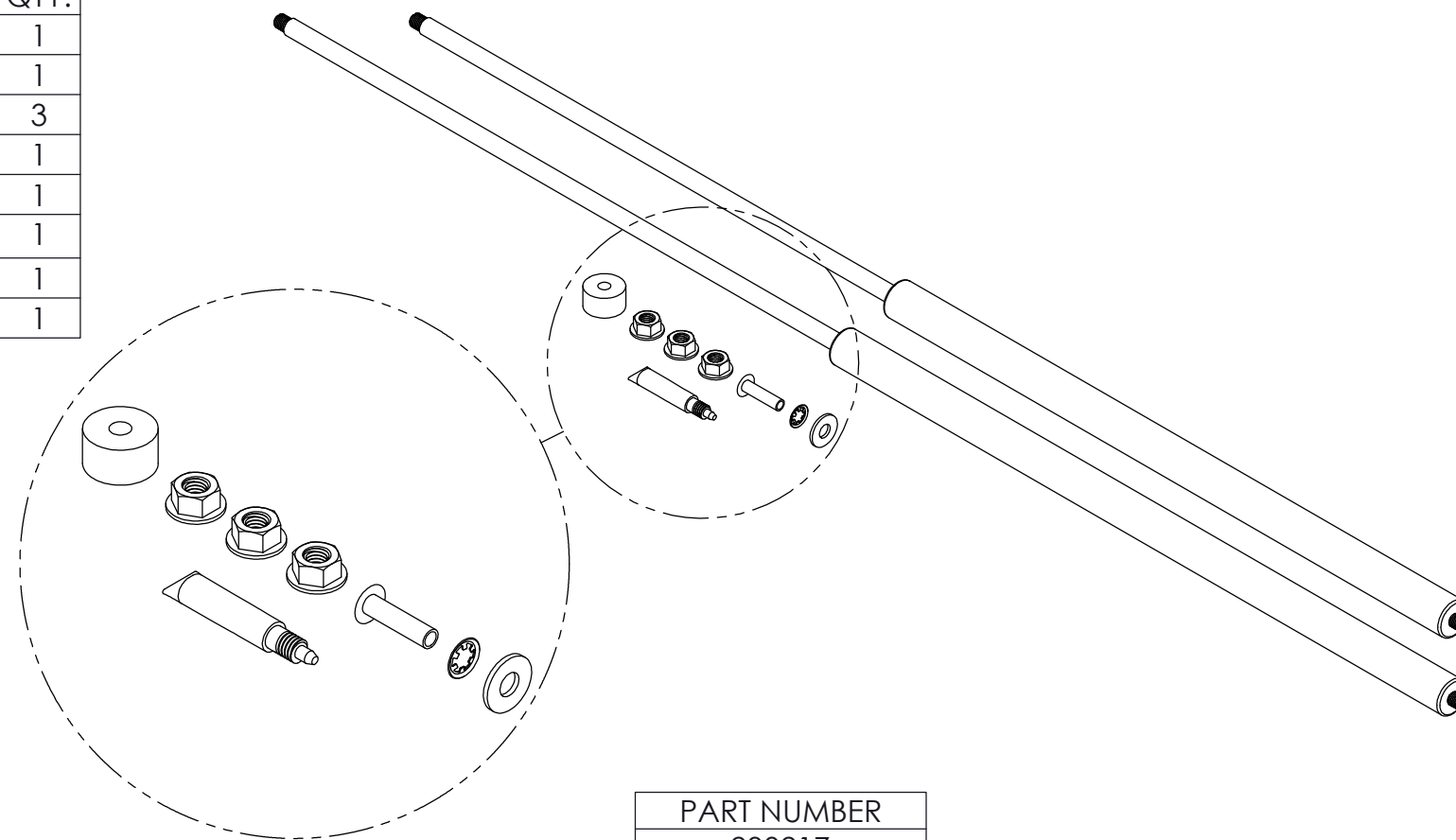
PART NUMBER	
IMPERIAL	METRIC
230215	230216

SHEAR PIN PACK	
DESCRIPTION	QTY.
COV-AFS-HOR-SHEAR PIN INSTALLATION DEVICE	1
COV-HOR-SHEAR-PIN	2



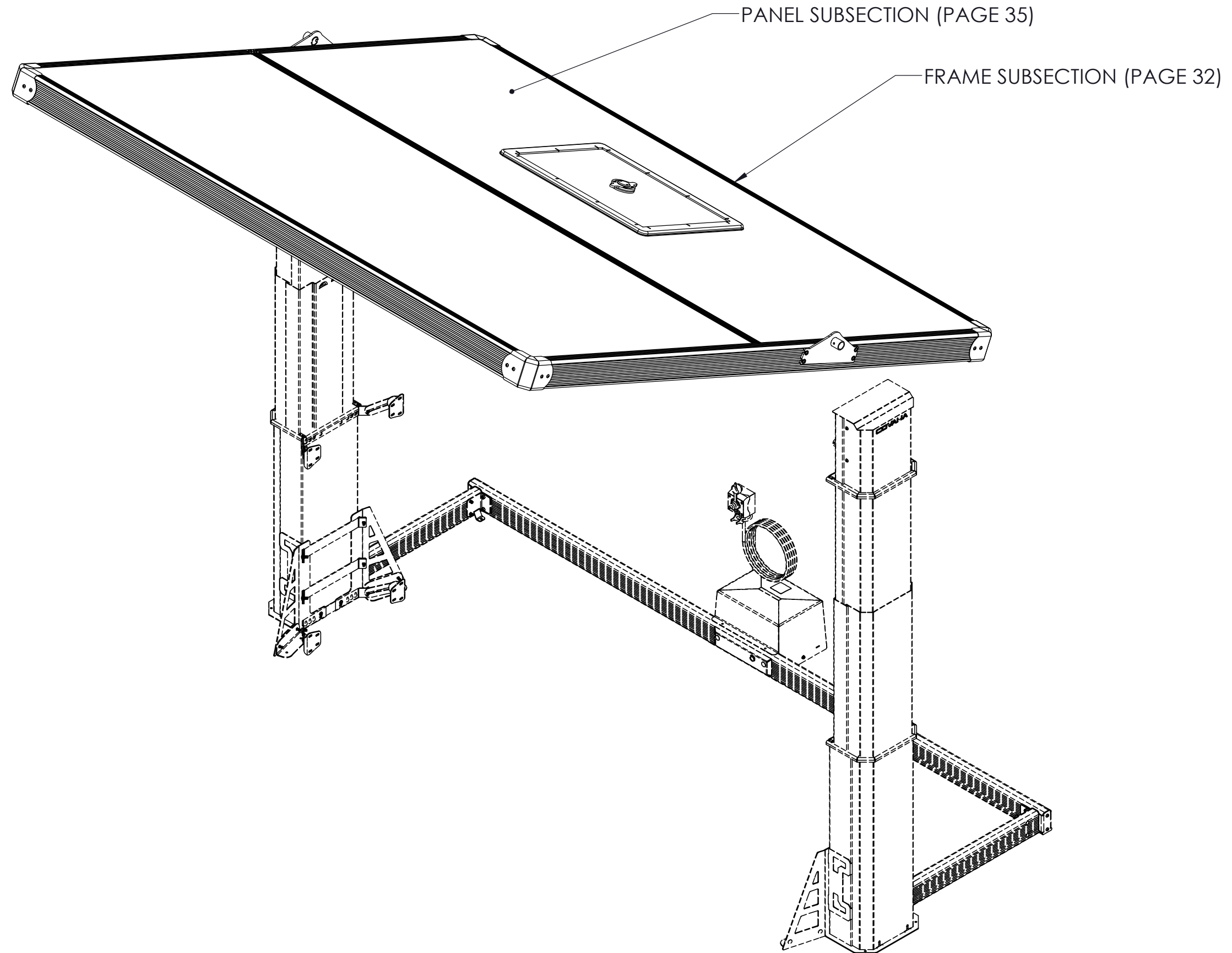
PART NUMBER
230218

PIVOT GAS SPRING PACK	
DESCRIPTION	QTY.
GAS SPRING-335N	1
GAS SPRING-555N	1
M8-1.25 HEX FLANGE NUT	3
COV-HOR-GAS SPRING FOOT	1
EXTERNAL PUSH RING 1/4" I.D.	1
STEEL RIVET 1/4"x1" Lg. (Z/P)	1
1/4" FLAT WASHER TYPE A	1
BLUE LOCTITE TUBE (2ml)	1



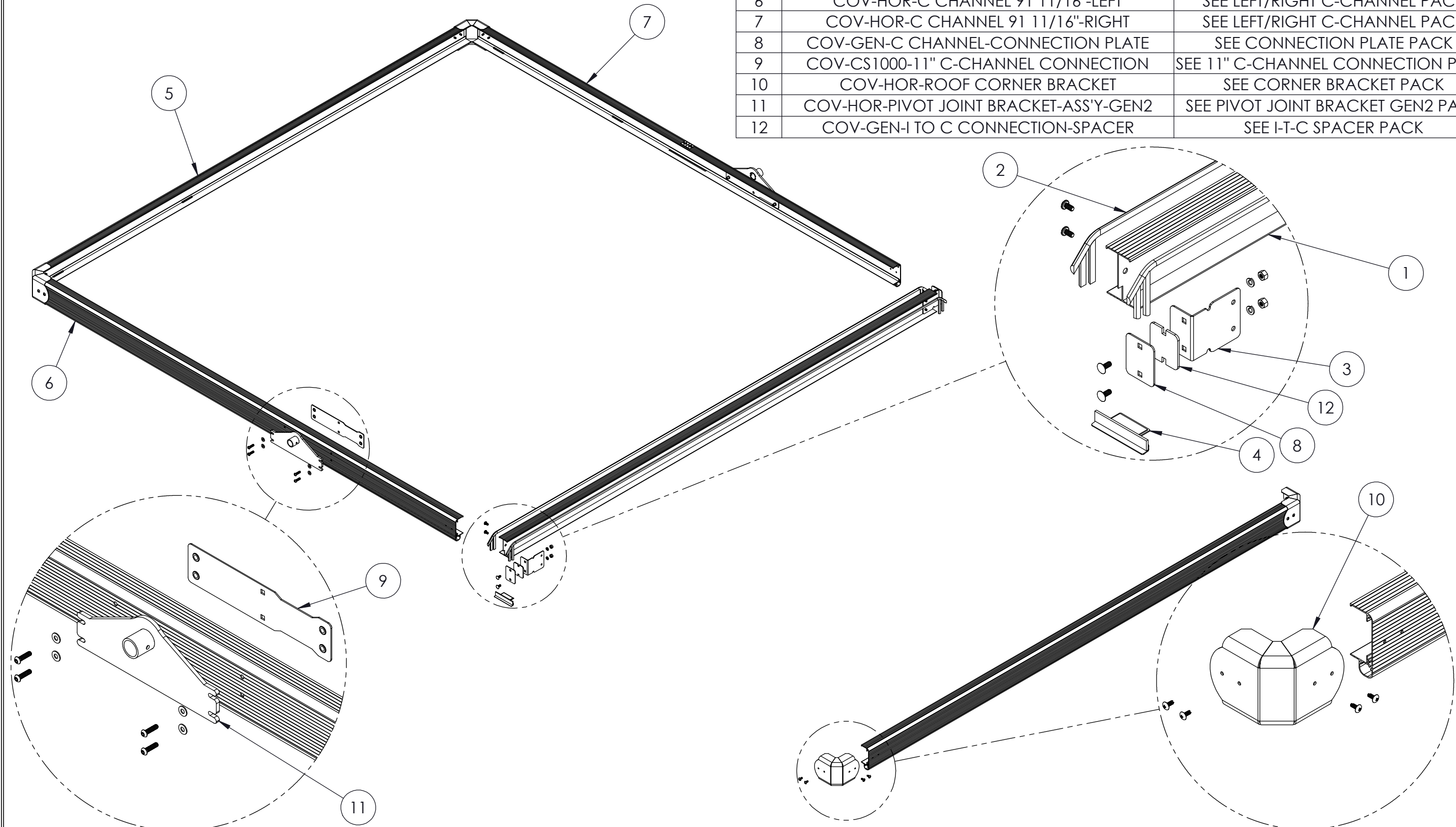
PART NUMBER
230217

COVER ASSEMBLY SECTION



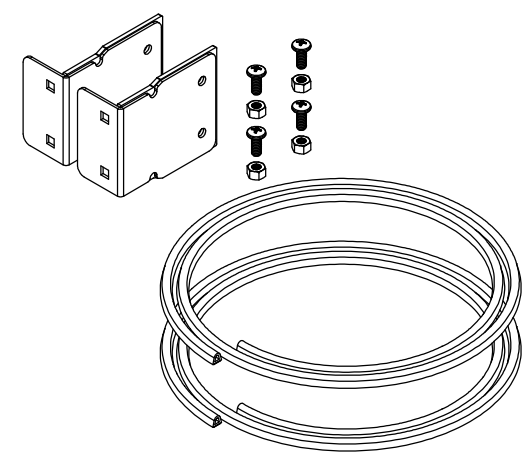
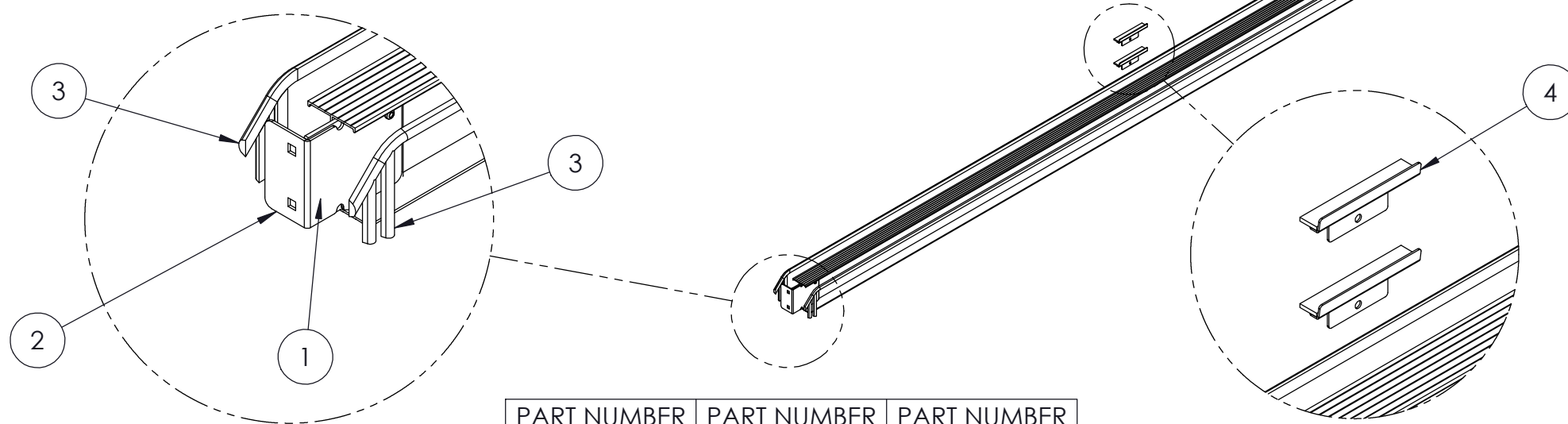
FRAME SUBSECTION

ITEM #	DESCRIPTION	PART NUMBER	CATALOG PAGE
1	COV-LEG-I BEAM	SEE I-BEAM PACK	33
2	I-BEAM SEAL	SEE I-BEAM HARDWARE PACK	33
3	COV-LEG-I TO C CONNECTION	SEE I-BEAM HARDWARE PACK	33
4	COV-GEN-I BEAM-WIPER-SUPPORT	SEE I-BEAM PACK	33
5	COV-LEG-C CHANNEL 93 7/16"-W-HOLES-W/SLOTS	SEE ENDS C-CHANNEL PACK	33
6	COV-HOR-C CHANNEL 91 11/16"-LEFT	SEE LEFT/RIGHT C-CHANNEL PACK	33
7	COV-HOR-C CHANNEL 91 11/16"-RIGHT	SEE LEFT/RIGHT C-CHANNEL PACK	33
8	COV-GEN-C CHANNEL-CONNECTION PLATE	SEE CONNECTION PLATE PACK	34
9	COV-CS1000-11" C-CHANNEL CONNECTION	SEE 11" C-CHANNEL CONNECTION PACK	34
10	COV-HOR-ROOF CORNER BRACKET	SEE CORNER BRACKET PACK	34
11	COV-HOR-PIVOT JOINT BRACKET-ASS'Y-GEN2	SEE PIVOT JOINT BRACKET GEN2 PACK	34
12	COV-GEN-I TO C CONNECTION-SPACER	SEE I-T-C SPACER PACK	34



I-BEAM PACK			
ITEM #	DESCRIPTION	PART NUMBER	CATALOG PAGE
1	COV-LEG-I BEAM	NOT AVAILABLE	-
2	COV-LEG-I TO C CONNECTION	SEE I-BEAM HARDWARE PACK	33
3	I-BEAM SEAL	SEE I-BEAM HARDWARE PACK	33
4	COV-GEN-I BEAM-WIPER-SUPPORT	SEE WIPER SUPPORT BRACKET PACK	34

I-BEAM HARDWARE PACK	
DESCRIPTION	QTY.
I-BEAM SEAL	2
I TO C CONNECTION	2
1/4-20-5/8 (PAN HEAD PHILLIPS #3-SS 18-8) MACHINE SCREW	4
1/4-20 (HEX NUT SS 316)	4

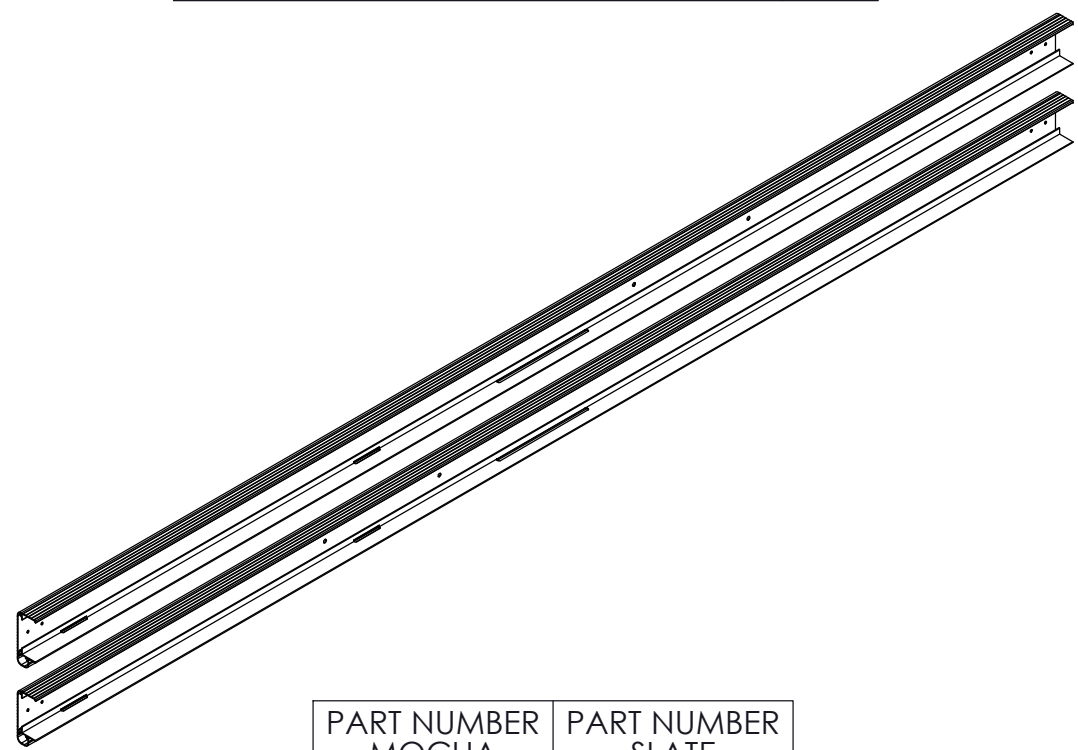


PART NUMBER	PART NUMBER	PART NUMBER
WHITE	LATTE	PLATINUM
225198	229153	229154

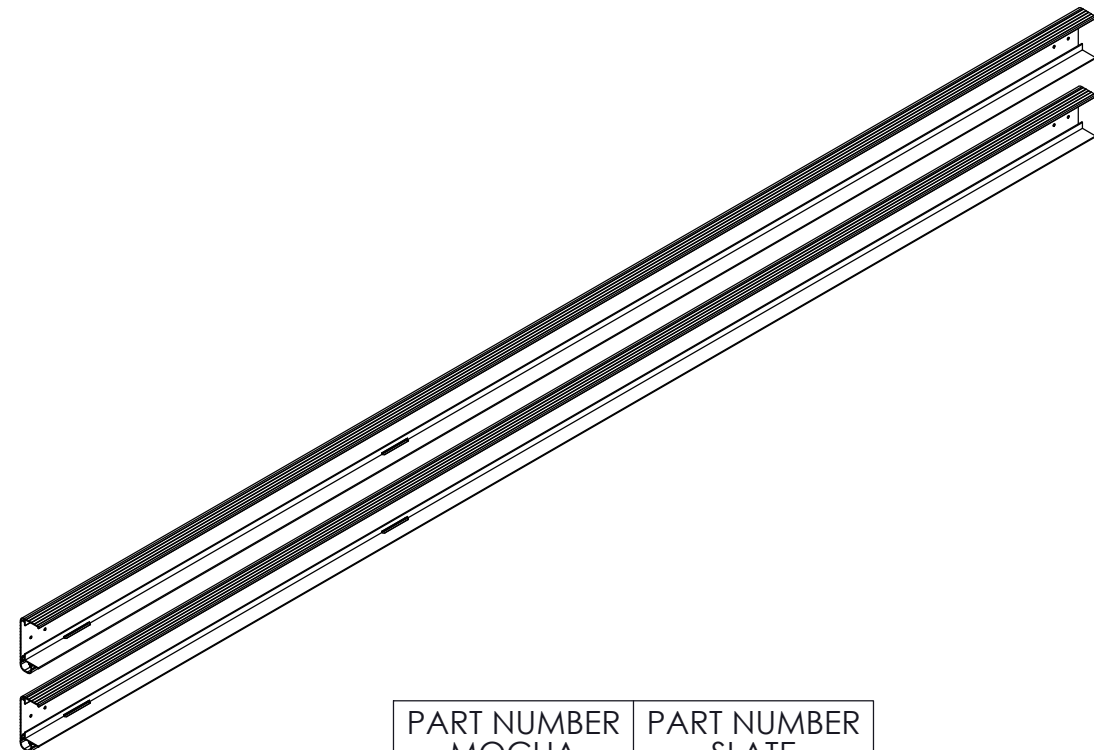
PART NUMBER
226742

LEFT/RIGHT C-CHANNEL PACK	
DESCRIPTION	QTY.
COV-HOR-C CHANNEL 91 11/16"-LEFT	1
COV-HOR-C CHANNEL 91 11/16"-RIGHT	1

ENDS C-CHANNEL PACK	
DESCRIPTION	QTY.
COV-LEG-C CHANNEL 93 7/16"-W-HOLES-W/SLOTS	2

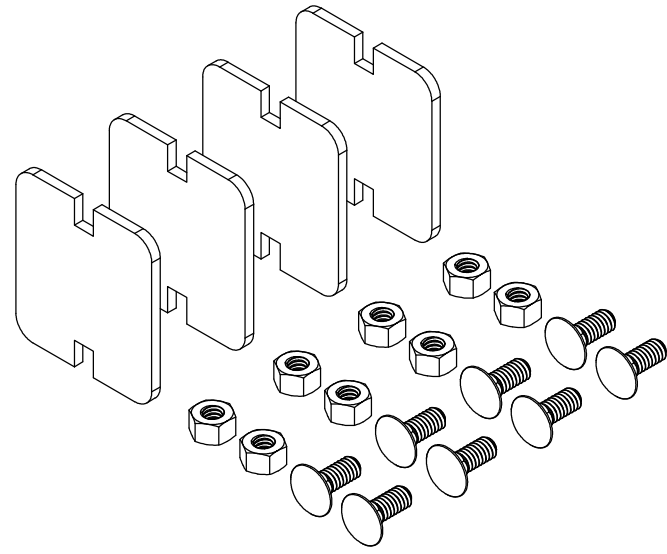


PART NUMBER	PART NUMBER
MOCHA	SLATE
230219	230220



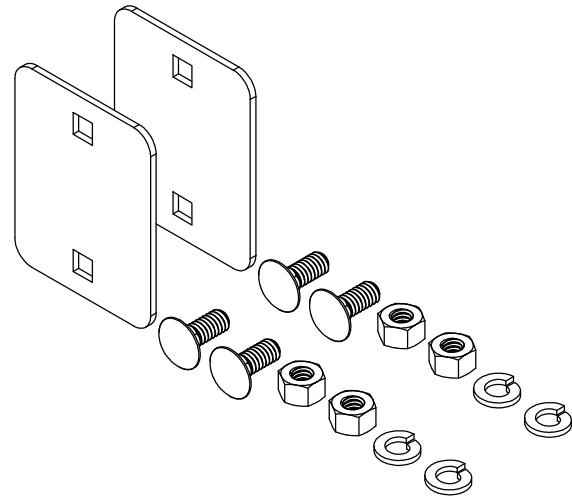
PART NUMBER	PART NUMBER
MOCHA	SLATE
230224	230225

I-TO-C SPACER PACK	
DESCRIPTION	QTY.
COV-GEN-I TO C CONNECTION-SPACER	4
1/4-20 (HEX NUT SS 316)	8
1/4-20-5/8 (CARRIAGE - SS 18-8)	8



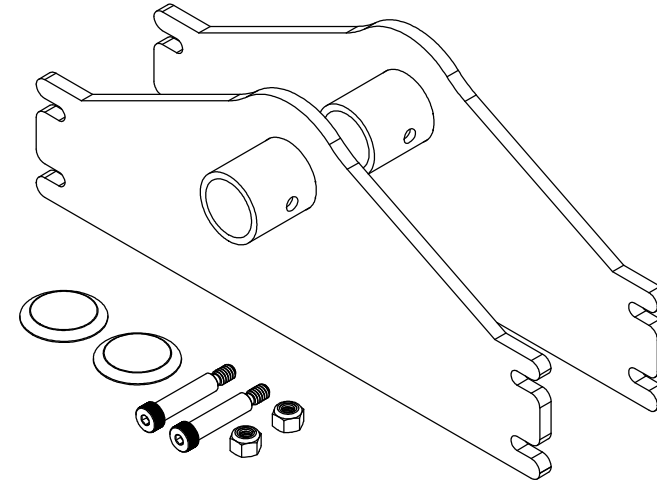
PART NUMBER
233459

SMALL CONNECTION PLATE PACK	
DESCRIPTION	QTY.
COV-GEN-C CHANNEL-CONNECTION PLATE	2
1/4-20-5/8 (CARRIAGE - SS 18-8)	4
1/4-20 (NYLON LOCK-S.S.18-8)	4
1/4 LOCK WASHER (SS 316)	4



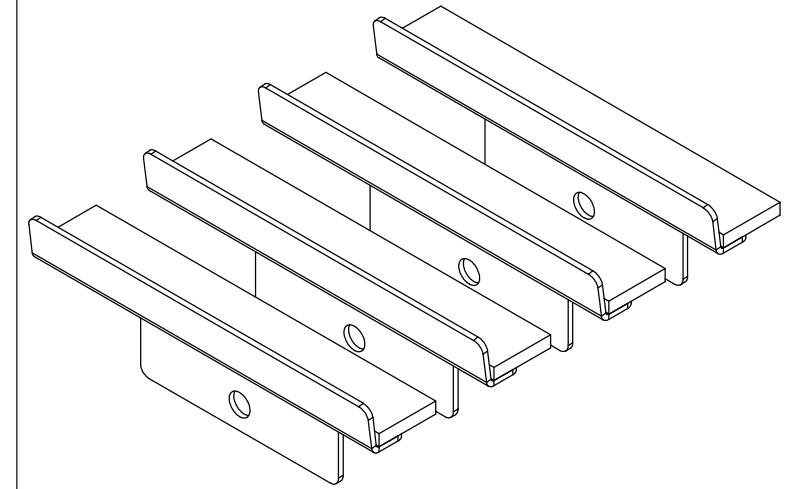
PART NUMBER
230585

PIVOT JOINT BRACKET PACK	
DESCRIPTION	QTY.
COV-HOR-PIVOT JOINT BRACKET-ASS'Y-GEN2	2
1/4-20x1 1/4" SHOULDER SCREW	2
1/4-20 NYLON LOCK NUT	2
BLACK PLASTIC PLUG	2



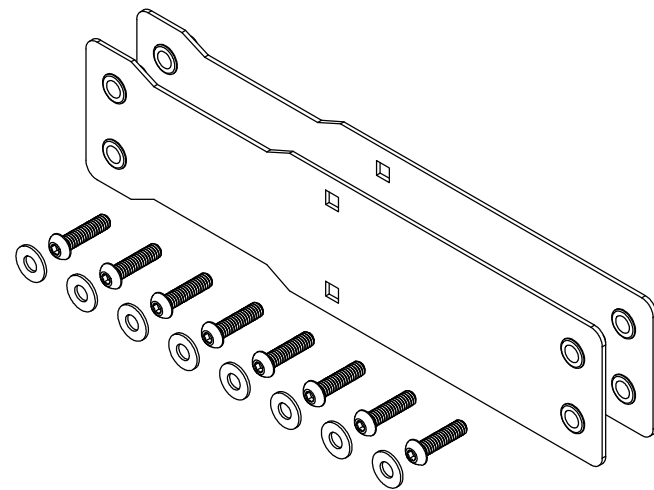
PART NUMBER	
MOCHA	SLATE
230227	230228

WIPER BRACKET PACK	
DESCRIPTION	QTY.
COV-GEN-I BEAM-WIPER-SUPPORT	4



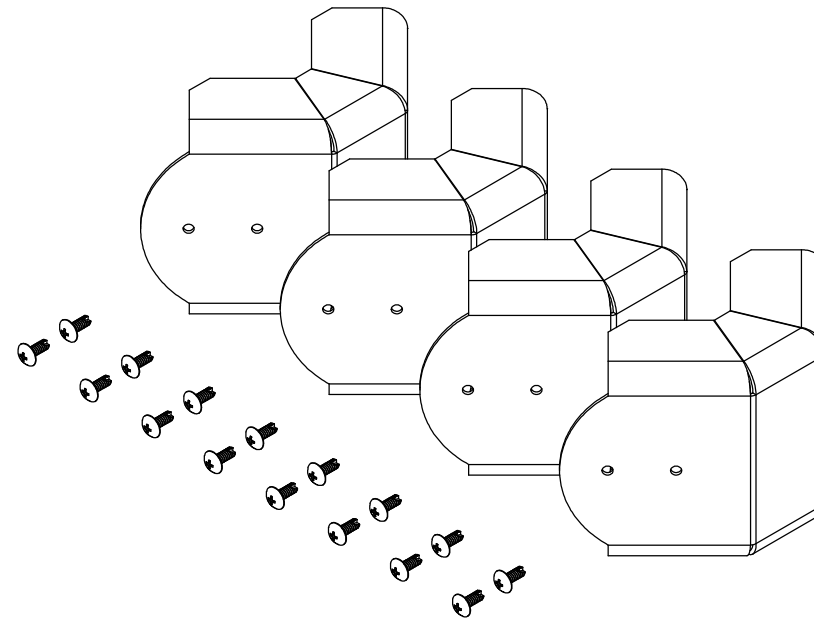
PART NUMBER		
WHITE	LATTE	PLATINUM
226724	230367	230369

LONG CONNECTION PLATE PACK	
DESCRIPTION	QTY.
COV-CS1000-11" C-CHANNEL CONNECTION	2
1/4-20-1 (BUTTON HEAD SOCKET CAP SCREW SS 18-8)	8
1/4 FLAT WASHER (SS 316)	8



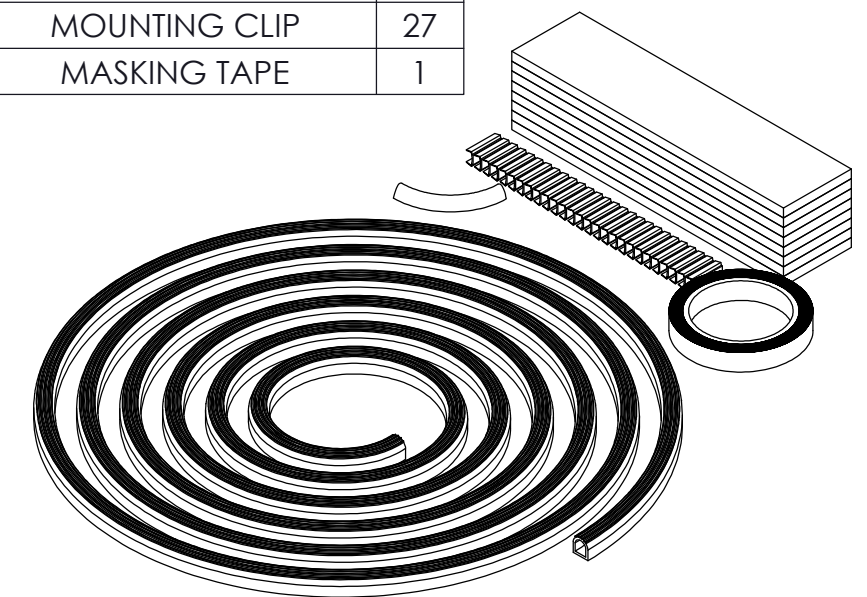
PART NUMBER
230226

CORNER BRACKET PACK	
DESCRIPTION	QTY.
COV-HOR-ROOF CORNER BRACKET	4
#10-24x1/2" TRUSS HEAD PHILLIPS THREAD CUTTING SCREW	16



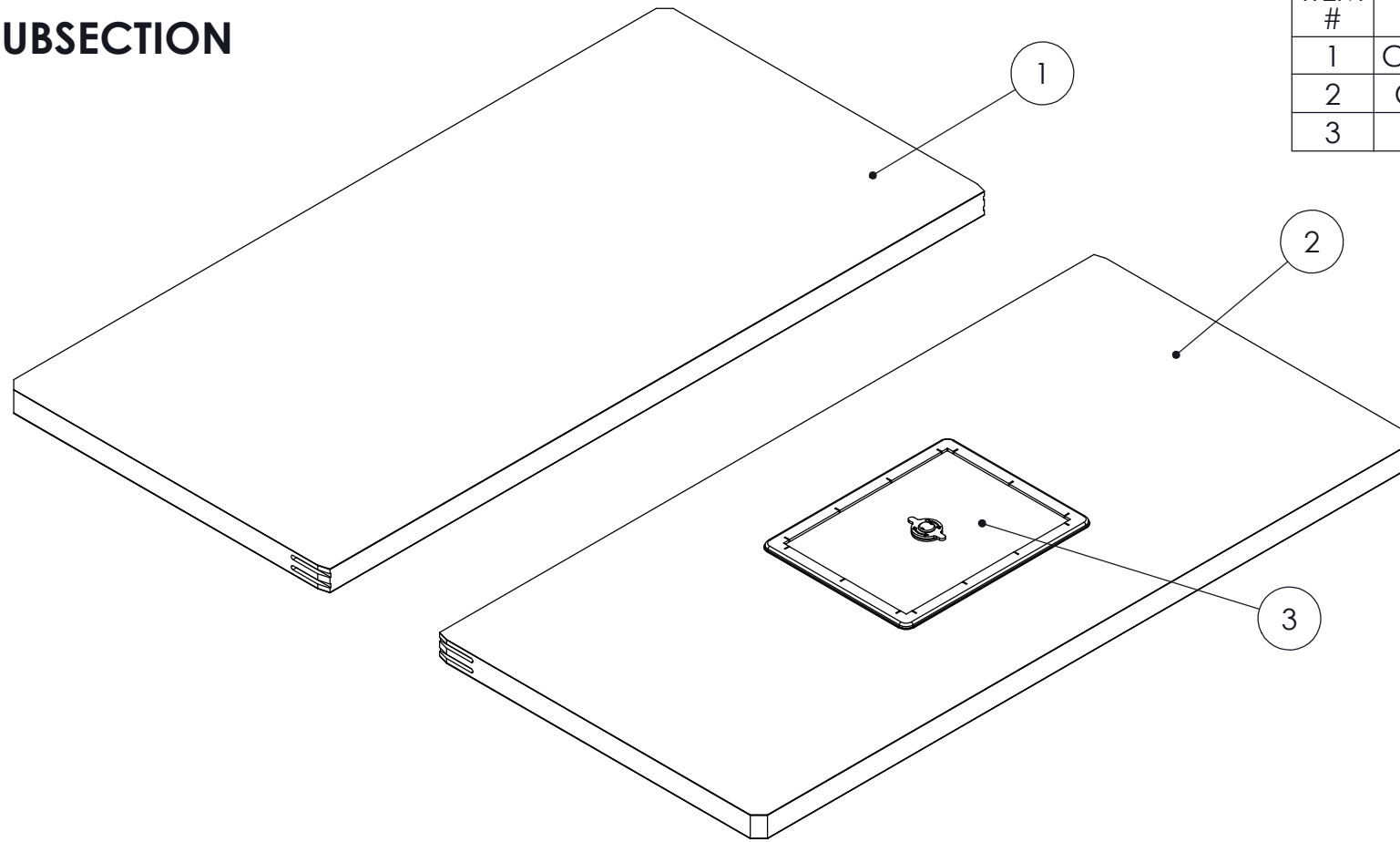
PART NUMBER	
MOCHA	SLATE
230229	230230

COVER SEAL PACK	
DESCRIPTION	QTY.
SEAL 1" PROFILE 2828W	1
FOAM BUMPER	8
SEAL INSERT 2 1/2"	1
MOUNTING CLIP	27
MASKING TAPE	1



PART NUMBER
226566

PANEL SUBSECTION

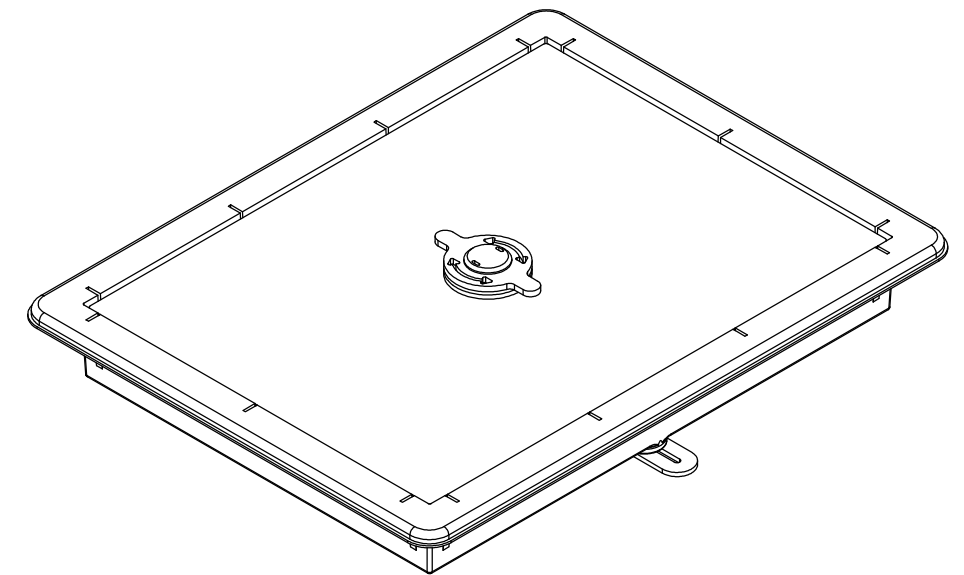
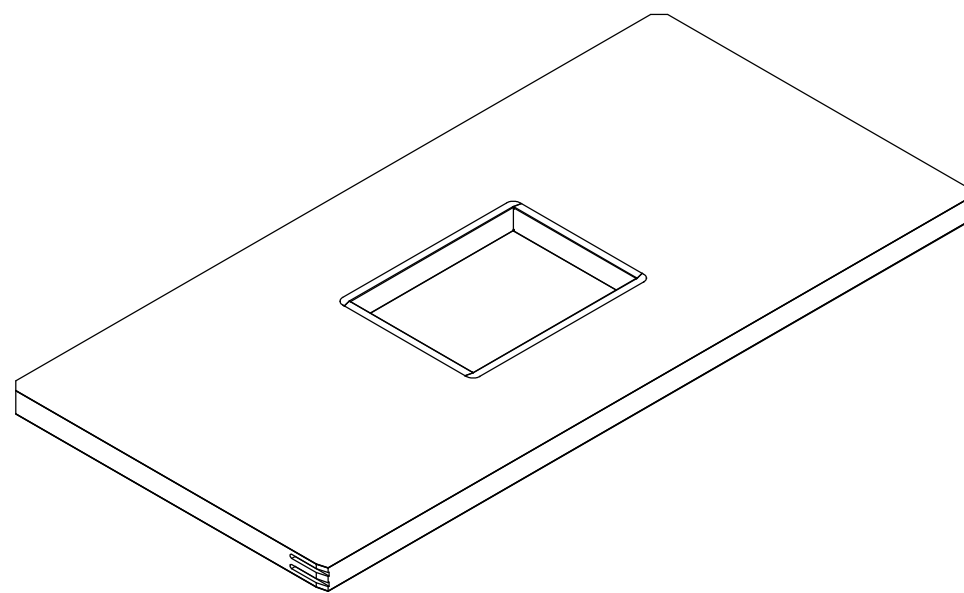
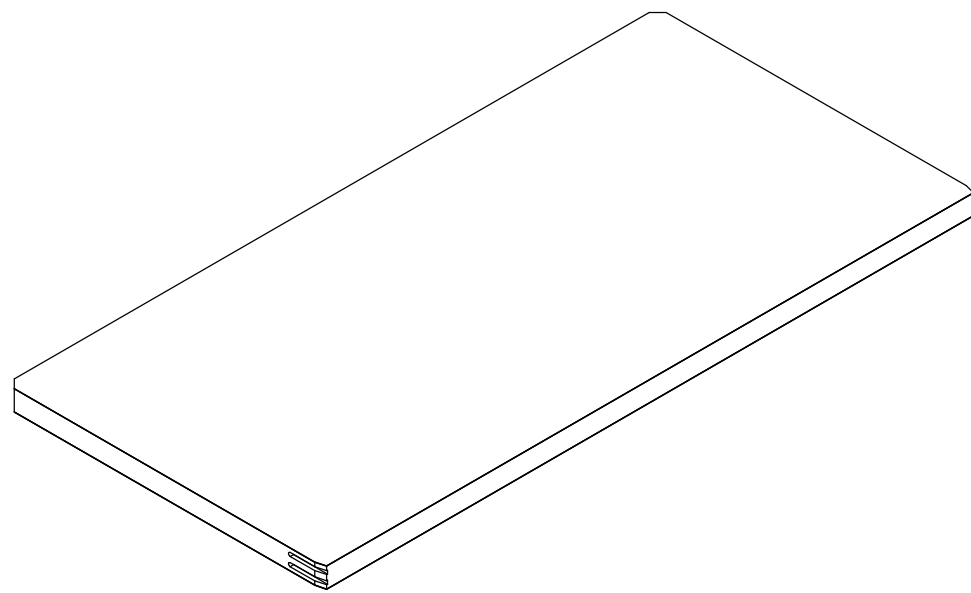


ITEM #	DESCRIPTION	PART NUMBER	CATALOG PAGE
1	COV-HOR-PANEL W/O HATCH HOLE-EDGE	SEE PANEL PACK 1	35
2	COV-HOR-PANEL W/ HATCH HOLE-EDGE	SEE PANEL PACK 2	35
3	ESCAPE HATCH DOOR	SEE ESCAPE HATCH PACK	35

PANEL PACK 1	
DESCRIPTION	QTY.
COV-HOR-PANEL W/O HATCH HOLE-EDGE	1

PANEL PACK 2	
DESCRIPTION	QTY.
COV-HOR-PANEL W/ HATCH HOLE-EDGE	1

ESCAPE HATCH PACK	
DESCRIPTION	QTY.
COV-GEN-ESCAPE HATCH DOOR	1

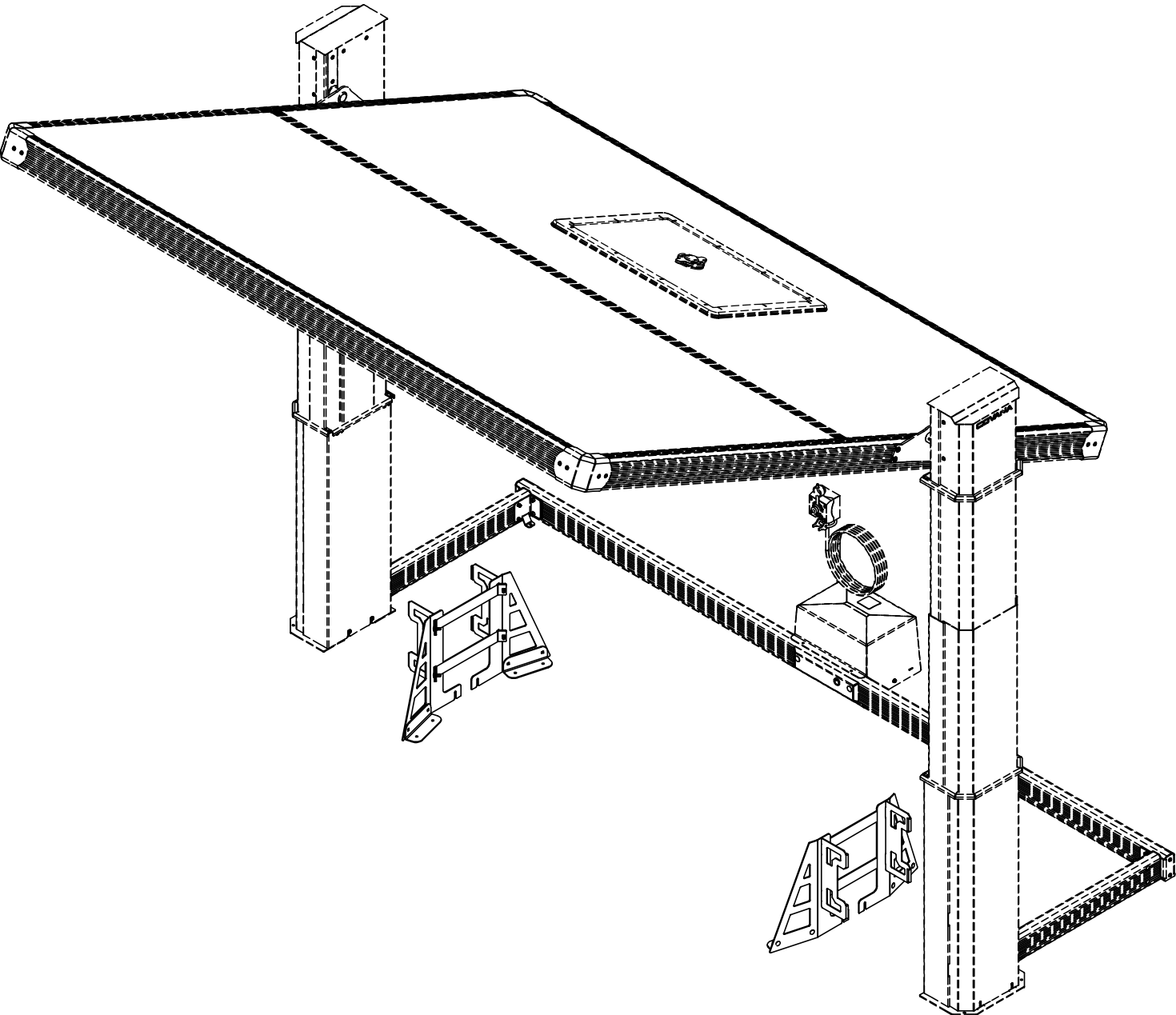


PART NUMBER		
WHITE/WHITE	LATTE/WHITE	PLATINUM/WHITE
228850	229149	229150

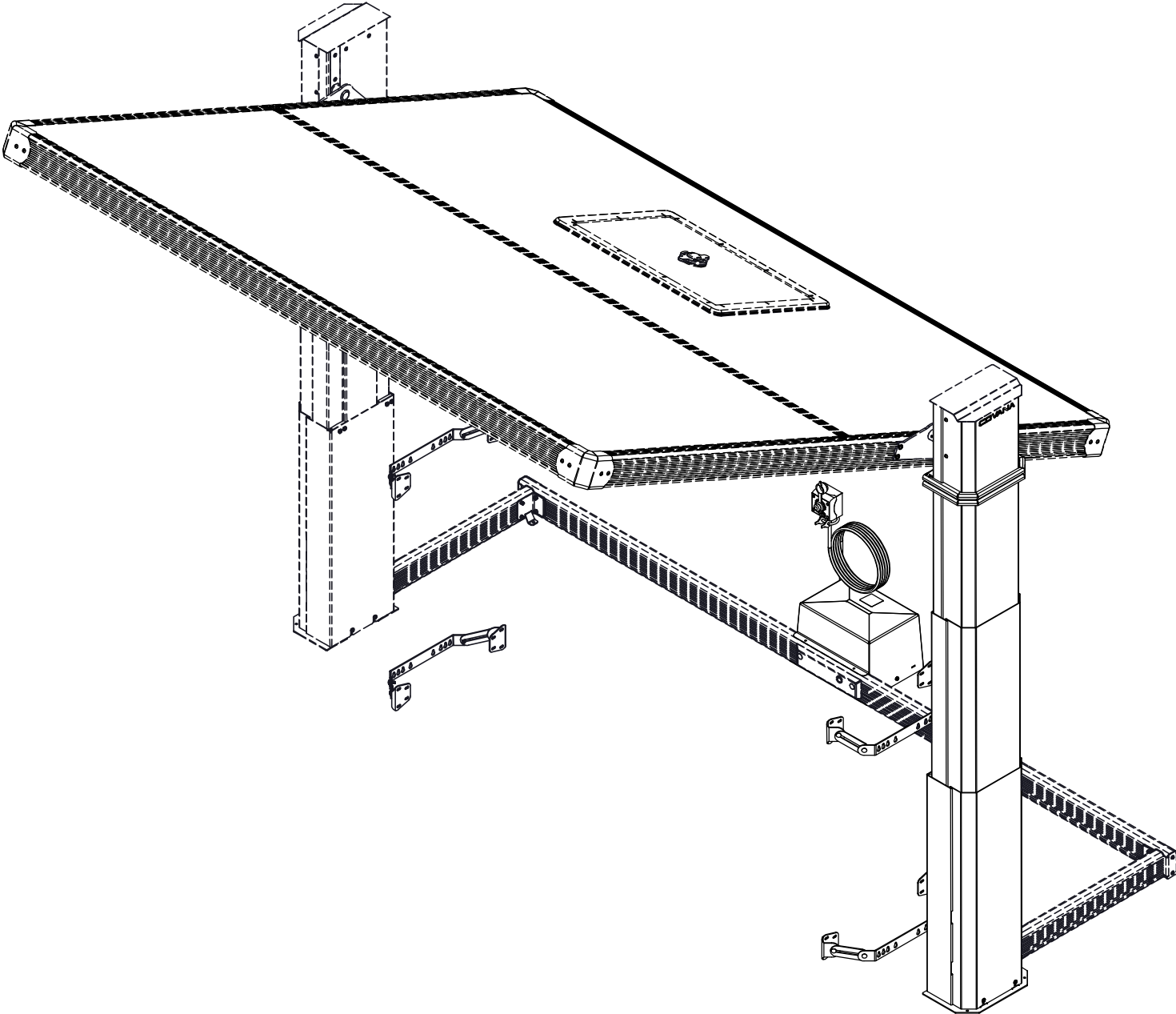
PART NUMBER		
WHITE/WHITE	LATTE/WHITE	PLATINUM/WHITE
228851	229151	229152

PART NUMBER		
WHITE/WHITE	LATTE/WHITE	PLATINUM/WHITE
209247	225897	225896

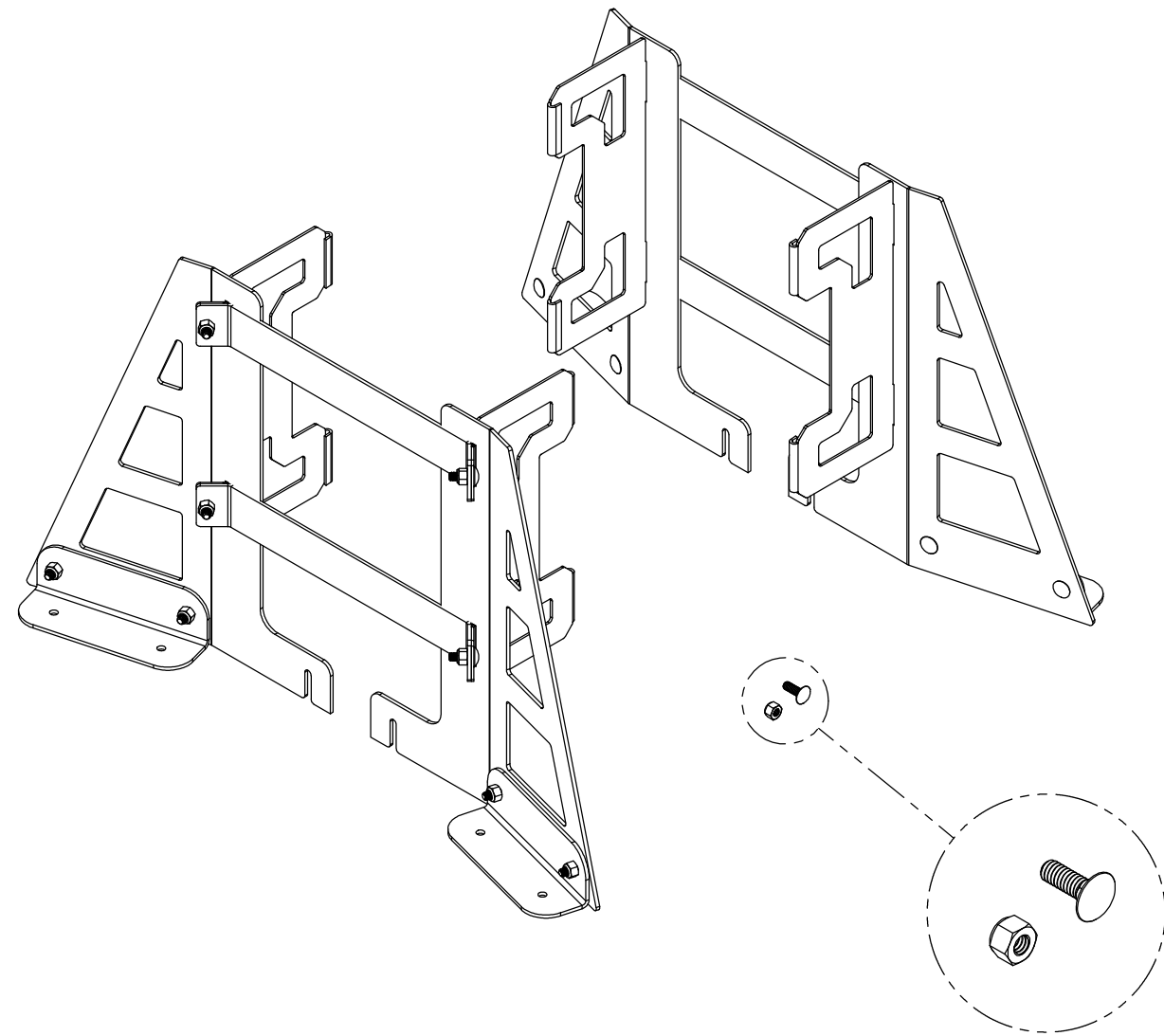
GROUND ANCHORING OPTION



TUB MOUNT OPTION

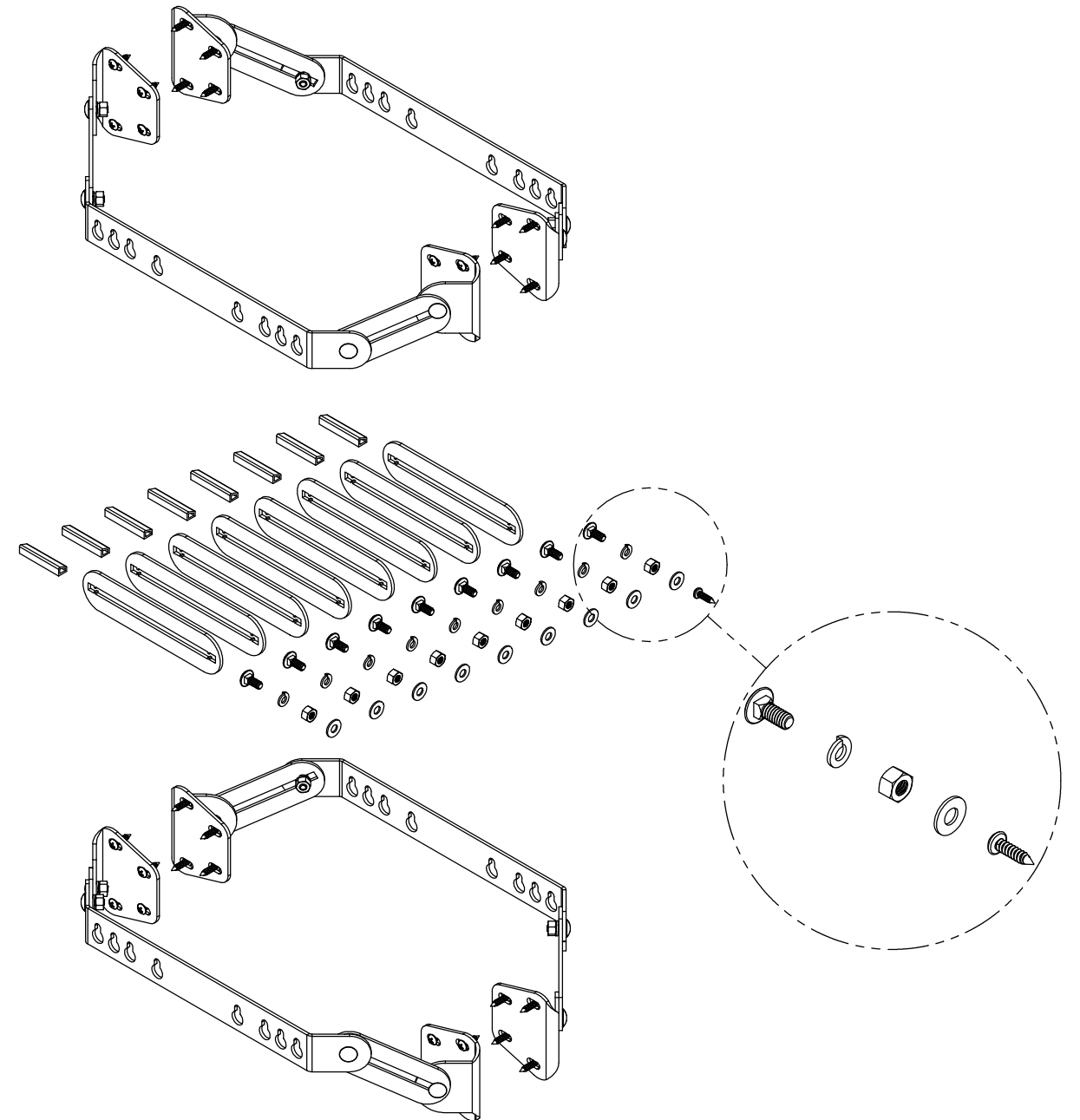


GROUND ANCHORING PACK	
DESCRIPTION	QTY.
COV-HOR-SLEEVE RETAINING PLATE-GEN2	4
COV-HOR-SLEEVE JOINT BRACKET	4
COV-HOR-STABILIZATION PLATE-LEFT	2
COV-HOR-STABILIZATION PLATE-LEFT	2
COV-HOR-LATERAL FOOT PLATE	4
1/4-20x3/4" CARRIAGE BOLT	17
1/4-20 NYLON LOCK NUT	17



PART NUMBER	
MOCHA	SLATE
229234	229235

TUB MOUNT PACK	
DESCRIPTION	QTY.
COV-HOR-BRACKET TUB MOUNT	4
COV-HOR-BRACKET TUB MOUNT ARM	8
COV-HOR-BRACKET TUB MOUNT ARM LONG	8
COV-LEG-BRACKET TUB MOUNT SUPPORT	8
1/4-20-5/8 (CARRIAGE - SS 18-8)	25
1/4 LOCK WASHER (SS 316)	25
1/4-20 (HEX NUT SS 316)	25
#10-12 X 3/4 PAN HEAD PHILLIPS #2-SS 18-8 SELF TAP	33
OUTER SLEEVE GASKET	8
1/4 FLAT WASHER (SS 316)	9



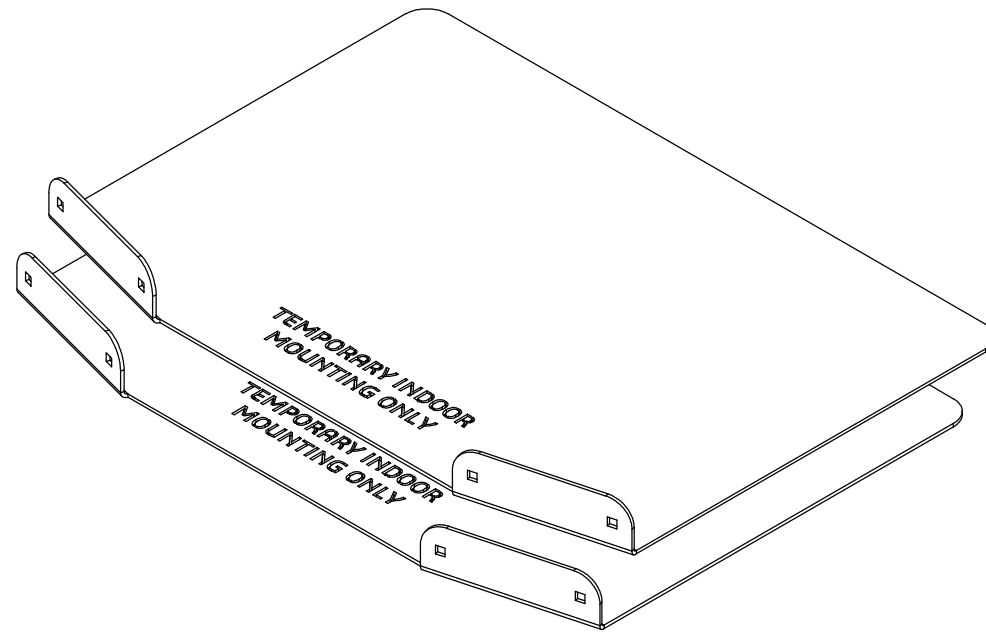
PART NUMBER	
MOCHA	SLATE
229237	229238

SECTION 6: SPECIAL PACKS

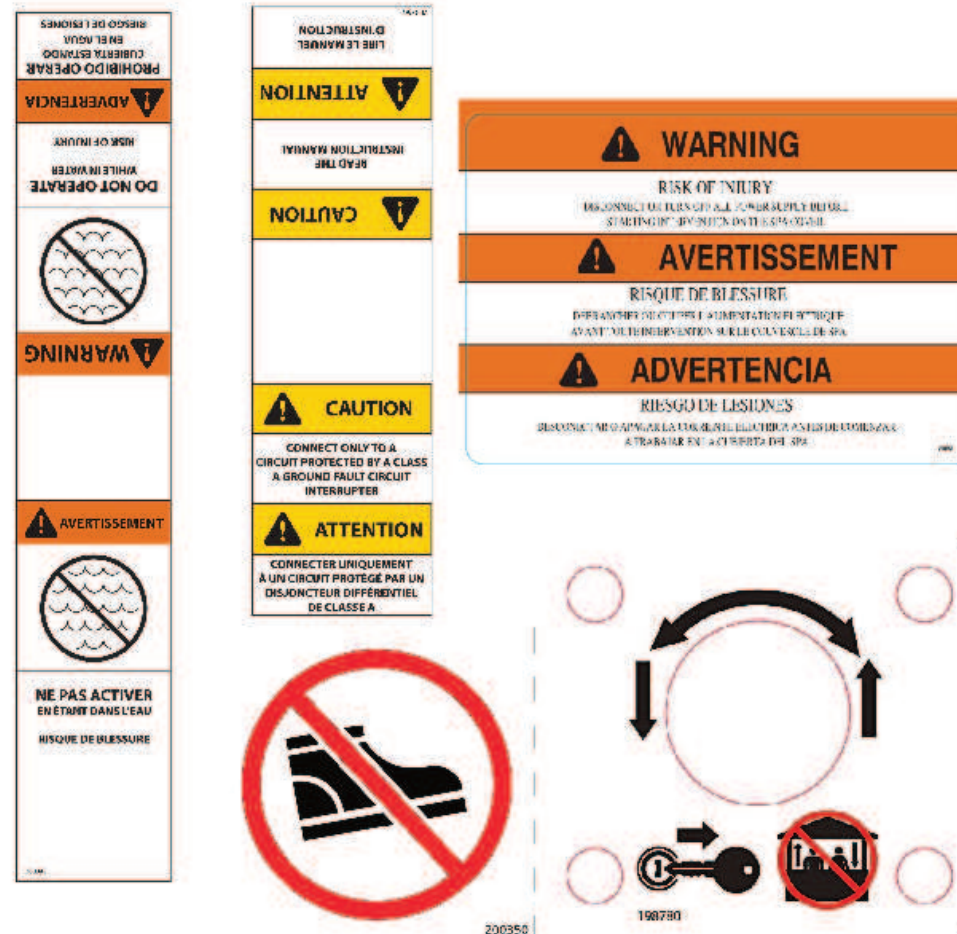
TEMPORARY INDOOR MOUNTING PLATE-PACK	
DESCRIPTION	QTY.
COV-HOR-TEMPORARY INDOOR MOUNTING PLATE	2

WARNING LABEL PACK		
DESCRIPTION	QTY. (ENGLISH)	QTY. (FRENCH)
OPERATOR WARNING FOR SPA COVER	1	1
OPERATOR WARNING FOR CABLE	1	1
COVANA SAFETY (ENGLISH)	8	-
COVANA SAFETY (FRENCH)	-	8
KEY SWITCH IDENTIFICATION	1	1
OPERATOR NO STEP WARNING	1	1
KEYSWITCH WARNING	1	1

SHOWROOM INSTALLATION PACK	
DESCRIPTION	QTY.
MOUNTING CLIP	27
SEAL 1" PROFILE 2828W 12in. LONG	4
SHOWROOM INSTALLATION TIPS	1



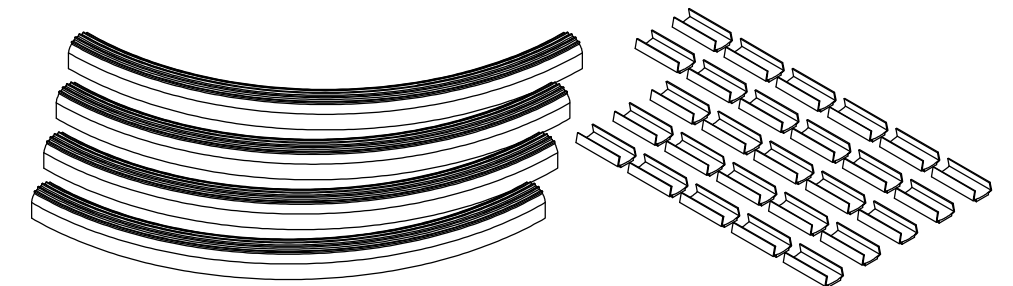
PART NUMBER
226150



WARNING
 AVOID DROWNING RISK. ENTRAPMENT POSSIBLE.
 FAILURE TO FOLLOW ALL INSTRUCTIONS MAY RESULT IN INJURY OR DROWNING.
 INSPECT COVER PERIODICALLY.
 POWER SAFETY COVER MEETS ASTM F1346-91 REQUIREMENTS.

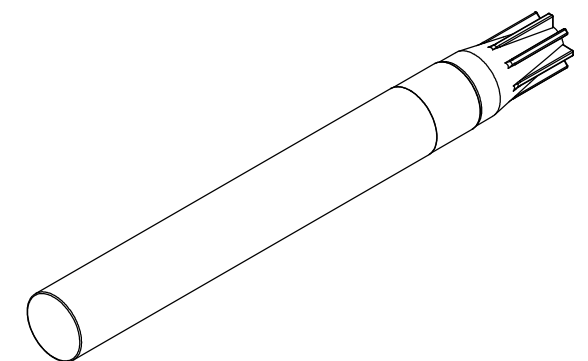
AVERTISSEMENT
 RISQUE D'ENFERMEMENT ET DE NOYADE. AFIN D'ÉVITER TOUT RISQUE DE BLESSURE
 OU DE NOYADE, SUIVRE TOUTES LES INSTRUCTIONS SPÉCIFIÉES DANS LE MANUEL
 DU MANUFACTURIER. INSPECTER RÉGULIÈREMENT LE COUVERCLE.
 LE COUVERCLE RÉPOND AUX NORMES ASTM F1346-91.

PART NUMBER	
ENGLISH	FRENCH
226610	226609



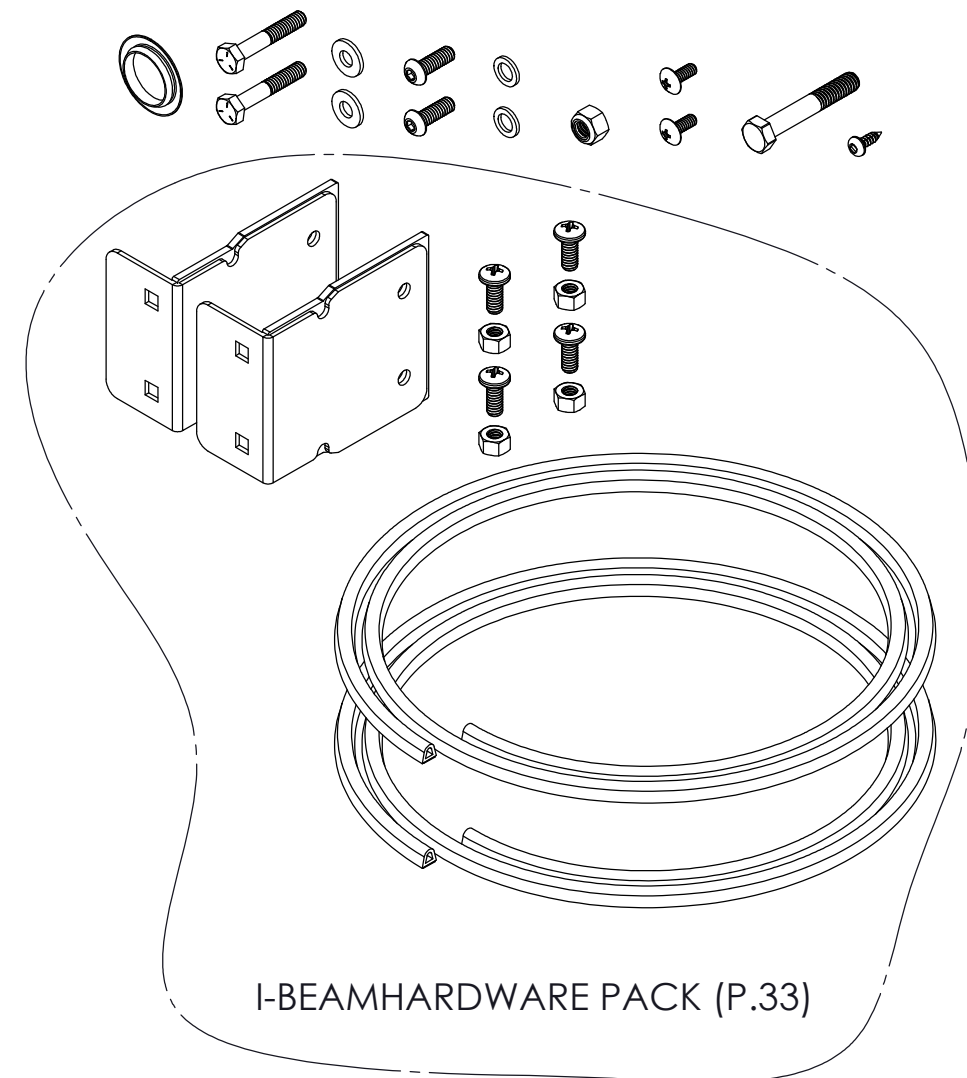
PART NUMBER
228728

COLOR TOUCH UP PEN PACK	
DESCRIPTION	QTY.
COLOR TOUCH-UP PEN	1



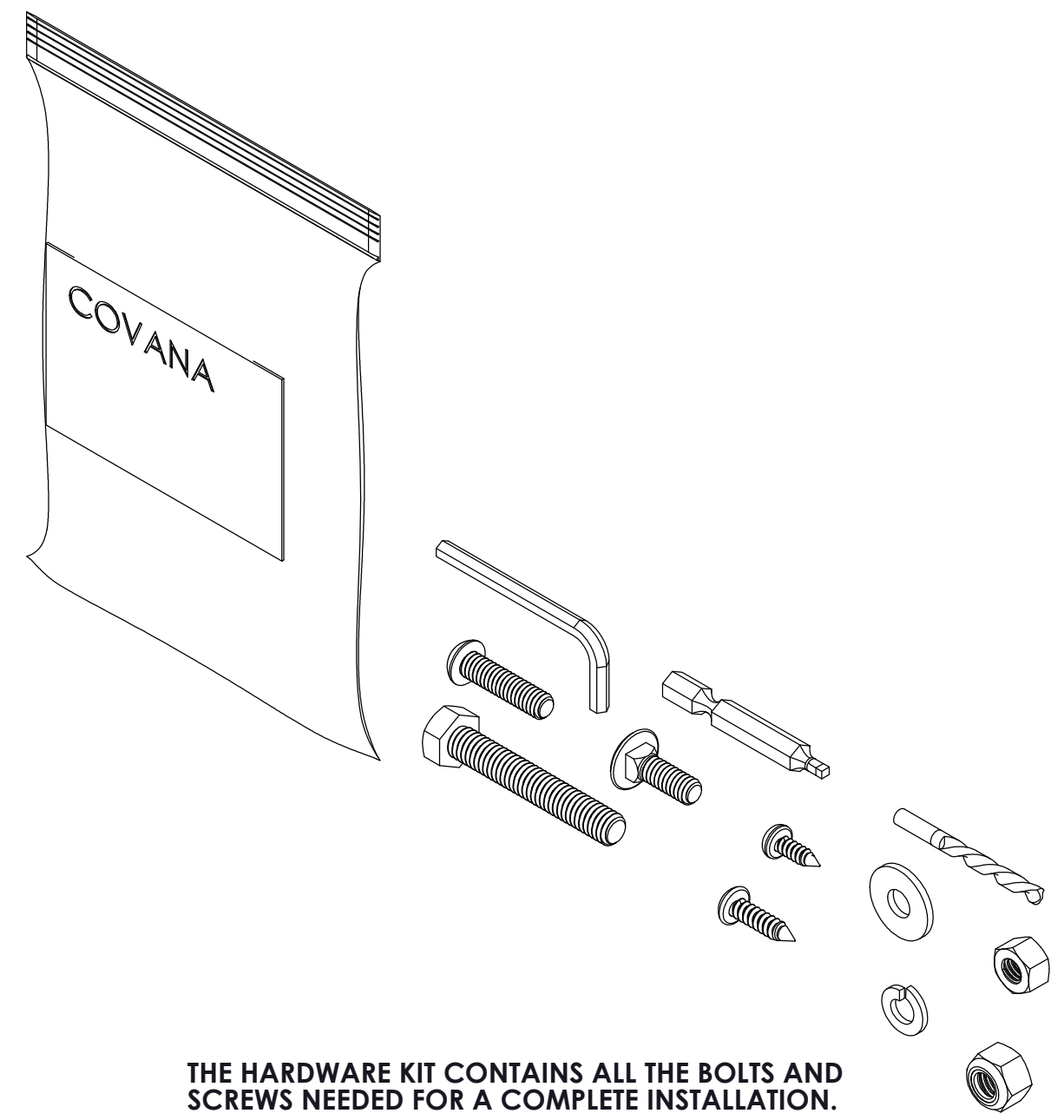
PART NUMBER	
MOCHA	SLATE
201234	201235

UNIT TRANSFER PACK	
DESCRIPTION	QTY.
5/16-18 HEX NYLON LOCK NUT-Z/P	1
5/16-18x2" HEX CAP SCREW	1
#10-24x1/2" TRUSS HEAD PHILLIPS THREAD CUTTING SCREW	2
1/4-20 x 3/4" LG. ALLEN BUTTON HEAD SCREW	2
5/16 NYLON WASHER	2
1/4 FLAT (OD 0.625" S.S.316)	2
I-BEAM HARDWARE PACK	1
#8 X 3/4"RHSD SLFTP SCREW-Z/P	1
1/4-20x1 1/2" PRTLY THRD HEX CAP SCREW GRADE 5-Z/P	2
BLACK PLASTIC PLUG	1
UNIT TRANSFER TIPS	1



PART NUMBER	
MOCHA	SLATE
228726	228882

HORIZON HARDWARE PACK	
DESCRIPTION	QTY.
COV-HOR-HARDWARE KIT	1



PART NUMBER	
MOCHA	SLATE
229226	229227